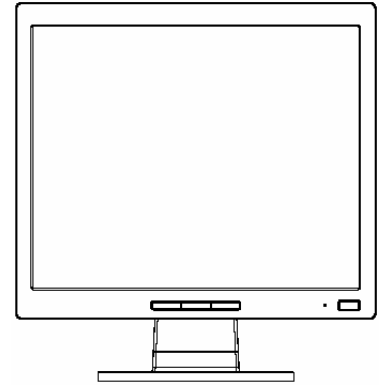


Service
Service
Service



Service Manual

Horizontal Frequency
30- 83 kHz

TABLE OF CONTENTS

Description	Page	Description	Page
Table Of Contents.....	1	6.1. Monitor Exploded View.....	15
Revision List.....	2	6.2 Software Flow Chart.....	16
1. Monitor Specification.....	3	6.3. Electrical Block Diagram.....	18
2. LCD Monitor Description.....	4	7. Schematic.....	20
3. Operation Instruction.....	5	7.1 Main Board.....	20
3.1. General Instructions.....	5	7.2 Power Board.....	24
3.2. Control Button.....	5	8.PCB Layout.....	26
3.3 Adjusting the Picture.....	6	8.1. Main Board.....	26
4. Input/Output Specification.....	7	8.2. Power Board.....	28
4.1. Input Signal Connector.....	7	8.3. Key Board.....	31
4.2. Factory Preset Display Modes.....	8	9. Maintainability.....	32
4.3. Power Supply Requirements.....	9	9.1. Equipments and Tools Requirement.....	32
5. Panel Specification.....	10	9.2. Trouble Shooting.....	33
5.1. General Feature.....	10	10. White-Balance, Luminance adjustment..	39
5.2. Optical Characteristics.....	11	11. BOM List.....	40
5.3 Parameter guide line for CCFL Inverter.....	13	12. Different Parts List.....	52
6. Block Diagram.....	15		

SAFETY NOTICE

ANY PERSON ATTEMPTING TO SERVICE THIS CHASSIS MUST FAMILIARIZE HIMSELF WITH THE CHASSIS AND BE AWARE OF THE NECESSARY SAFETY PRECAUTIONS TO BE USED WHEN SERVICING ELECTRONIC EQUIPMENT CONTAINING HIGH VOLTAGES.

CAUTION: USE A SEPARATE ISOLATION TRANSFORMER FOR THIS UNIT WHEN SERVICING

Revision List

Version	Date	Revision History	TPV Model Name
A00	Apr.-04-2007	first release	T76CM9DKAKHPNE
A01	May.-08-2007	Add TPVDW Model in Item 12	T76GM9DKAKHPNE
			T76GM9DPAKHPNE
A02	Jun.-07-2007	Add TPVDW Model in Item 12	T76SM9DKAKHPNE
A03	Jun.-19-2007	Add TPVDW Model in Item 12	T76CM9DPAKHPNE
A04	Sep.-26-2007	Add TPVDW Model in Item 12	T76GM9DBAKHFNNE
A05	Oct.-10-2007	Add TPVDW Model in Item 12	T76SM9DBAKHFNNE
A06	Oct.-16-2007	Add TPVDW Model in Item 12	T76SM9DAAKHANNE
A07	Oct.-18-2007	Add TPVDW Model in Item 12	T76CM9DBAKHFNNE
A08	Nov.-01-2007	Add TPVDW Model in Item 12	T76GM9DNAKHANNE
A09	Nov.-09-2007	Add TPVDW Model in Item 12	T76SM9DKAKHPN1E
			T76SM9DPAKHPNE
A10	Dec.-09-2007	Add Second Panel in Item 5	LTM170EUL31-8TM

1. Monitor Specification**L1706 Flat Panel Monitor**

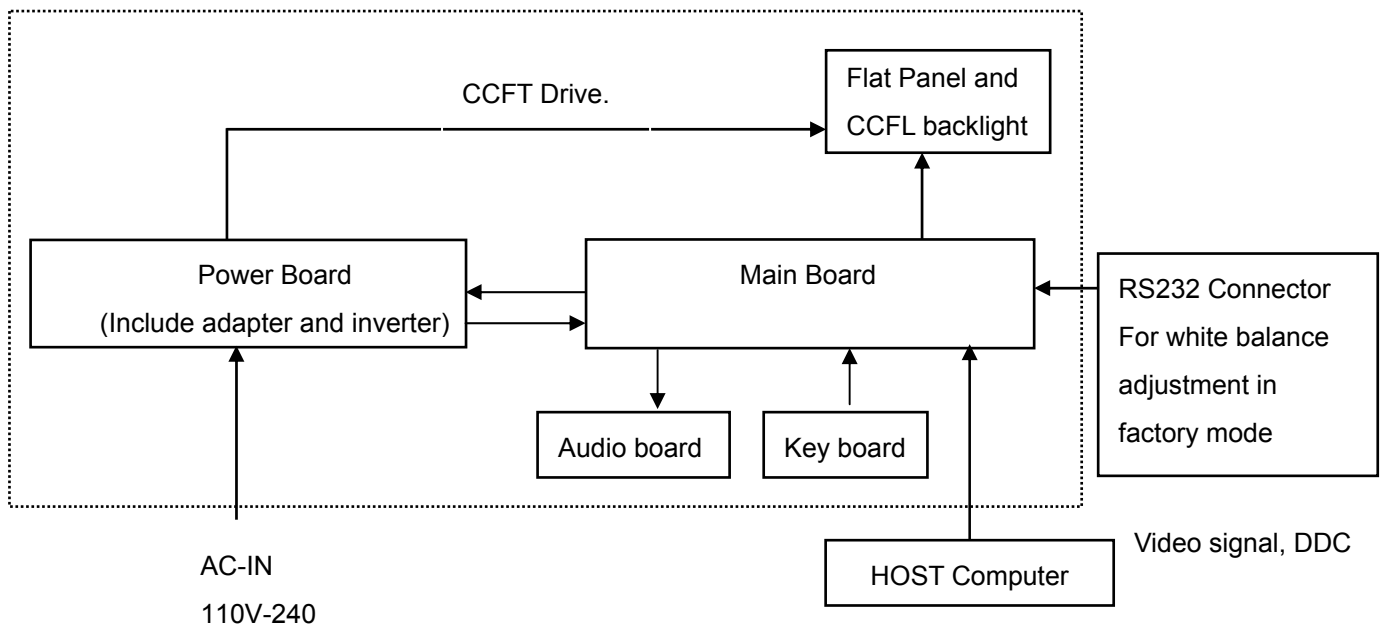
Display Type	17.0 inches TFT LCD	43.18 cm
Viewable Image Size	17.0-inch diagonal	43.18 cm
Tilt	-5 to 30°	
Maximum Weight (Unpacked)	10.1 lbs.	4.60 kg (unpacked)
Dimensions (include pedestal)		
Height	15.6 inches	395 mm
Depth	8.0 inches	203 mm
Width	14.8 inches	375 mm
Maximum Graphic Resolution	1280 x 1024 (60 Hz)	
Text Mode	720 x 400	
Dot Pitch	0.264 (H) x 0.264 (W) mm	
Horizontal Frequency	30 to 83 kHz	
Vertical Refresh Rate	50 to 76 Hz	
Environmental Requirements		
Temperature:		
Operating Temperature	41 to 95° F	5 to 35° C
Non-operating Temperature	-4 to 140° F	-20 to +60° C
Relative Humidity	20 to 80%	
Power Source	100 – 240 VAC, 50 – 60 Hz	
Altitude:		
Operating	0 to 12,000 feet	0 to 3657.6 m
Non-operating	0 to 40,000 feet	0 to 12192 m
Power Consumption	<37 watts typical	
Input Terminal	15-pin D-type connector with cable included.	

2. LCD Monitor Description

The LCD Monitor will contain main board, power board, key board and an audio board which house the flat panel control logic, brightness control logic and DDC.

The power board will provide AC to DC Inverter voltage to drive the backlight of panel and the main board chips each voltage.

Monitor Block Diagram



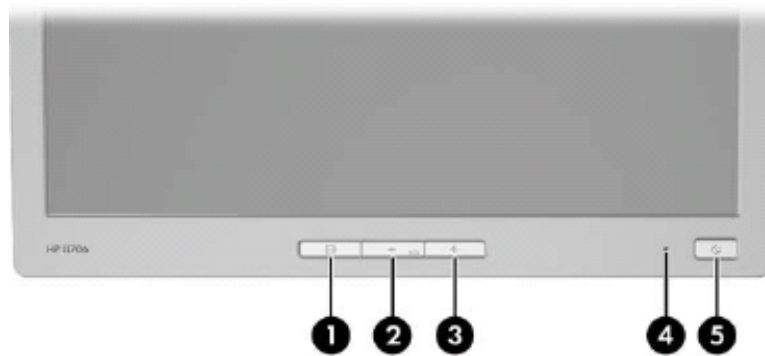
3. Operation Instructions

3.1 General Instructions

Press the power button to turn the monitor on or off. The other control buttons are located at front of the panel. By changing these settings, the picture can be adjusted to your personal performance.

- The power cord should be connected and insert to adaptor.
- Connect the video cable from the monitor to the computer VGA card.
- Press the power button to turn on the monitor, the power indicator will light up to Green.

3.2 Control Buttons



Control	Function
① Menu	Opens, selects or exits the OSD menu.
② – (Minus button)	<ul style="list-style-type: none"> • Navigates backward through the OSD menu and decreases adjustment levels. • If the OSD menu is inactive, activates the auto adjustment feature to optimize the screen image.
③ + (Plus button)	Navigates forward through the OSD menu and increases adjustment levels.
④ Power LED	Fully powered = Green. Sleep mode = Amber. Sleep Timer mode = Flashing Amber.
⑤ Power	Turns the monitor on or off.

3.3 Adjust the Picture

Use the On-Screen Display (OSD) to adjust the screen image based on your viewing preferences. To access the OSD, do the following:

1. If the monitor is not already on, press the Power switch to turn on the monitor.
2. To access the OSD Menu, press the Menu button on the monitor's front panel.



3. To navigate through the OSD Menu, press the + (Plus) button on the monitor's front panel to scroll up, or the – (Minus) button to scroll in reverse.
4. To select an item from the OSD Menu, use the + or – buttons to scroll to and highlight your selection, then press the Menu button to select that function.
5. Adjust the item using the + or – buttons on the front panel to adjust the scale.
6. After adjusting the function, select Save and Return, or Cancel if you don't want to save the setting, then select Exit from the Main Menu.

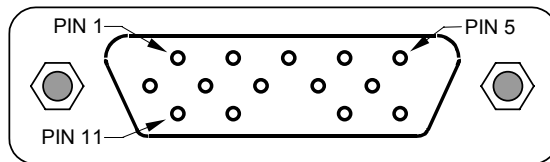
If the buttons remain untouched for 10 seconds while displaying a menu, new adjustments will be discarded and the settings will revert to previous settings and exit the menu.

4. Input/Output Specification

4.1 Input Signal Connector

Pin	Signal	Pin	Signal
1	Red Video	9	+5 V (from PC)
2	Green Video	10	Ground
3	Blue Video	11	Ground
4	Ground	12	DDC-serial Data
5	Detect Cable	13	Horizontal Sync
6	Red GND	14	Vertical Sync
7	Green GND	15	DDC-serial Clock
8	Blue GND		

VGA connector layout



4.2 Factory Preset Display Modes

Factory Preset Display Modes			
Preset	Pixel Format	Horz Freq (kHz)	Vert Freq (Hz)
1	640 x 480	31.5	59.9
2	640 x 480	37.9	72.8
3	640 x 480	37.5	75.0
4	720 x 400	31.5	70.1
5	800 x 600	37.9	60.3
6	800 x 600	48.1	72.2
7	800 x 600	46.9	75.0
8	832 x 624	49.7	74.6
9	1024 x 768	48.4	60.0
10	1024 x 768	56.5	70.1
11	1024 x 768	60.0	75.0
12	1152 x 870	68.7	75.1
13	1152 x 900	71.7	76.1
14	1280 x 1024	64.0	60.0
15	1280 x 1024	80.0	75.0

* Modes 12, 13, 14, and 15 apply to L1706 and L1906 models only

4.3 Power Supply Requirements

Parameter	Range
AC Line Voltage range	100 to 240V
AC Line Frequency range	47 to 63 Hz
Peak surge Current	< 55 A MAX AT 220VAC and cold starting
Leakage Current	< 3.5 mA
Power Consumption	≤37W

5. Panel Specification**5.1 General Feature**

CLAA170EA07P

ITEM	SPECIFICATION
Display Area(mm)	337.920(H)x270.336(V) (17.0-inch diagonal)
Number of Pixels	1280(H)x1024(V)
Pixel Pitch(mm)	0.264(H)x0.264(V)
Color Pixel Arrangement	RGB vertical stripe
Display Mode	normally white, TN
Number of Colors	16.2M(6 Bit+FRC)
Brightness(cd/m ²)	300 cd/m ² (Typ.)(Center point, Lamp current=7.5 mA)
Viewing Angle	160 / 160(Typ.)
Surface Treatment	Anti-glare
Power consumption(W)	23.7 (Typ.)
Module Size(mm)	358.5(W)x296.5(H)x17.5(D)(max)
Module Weight(g)	2200(typ)
Backlight Unit	CCFL, 4 tables, edge-light(top*2/bottom*2)

LTM170EUL31-8TM

Items	Specification	Unit
Pixel Pitch	0.264(H) x 0.264(W)	mm
Active Display Area	337.92(H) x 270.336(V)	mm
Surface Treatment	Haze 25%, Hard-coating (3H)	
Display Colors	16.7M(Hi-FRC)	colors
Number of Pixels	1280 x 1024	pixel
Pixel Arrangement	RGB vertical stripe	
Display Mode	Normally White	
Power Consumption	21.9 Watt (Typ.)	
Luminance of White	300(Typ.)	cd/m ²

5.2 Optical Characteristics

CLAA170EA07P

ITEM		SYMBOL	CONDITION	min	typ	max	UNIT
Contrast Ratio		CR	$\theta = \phi = 0^\circ$	550	700	--	--
Luminance(CEN)		L	$\theta = \phi = 0^\circ$	250	300	--	cd/m ²
9P Uniformity		ΔL	$\theta = \phi = 0^\circ$	75	--	--	%
Response Time		Tr	$\theta = \phi = 0^\circ$	--	2	4	ms
		Tf	$\theta = \phi = 0^\circ$	--	3	6	ms
Crosstalk		CT	$\theta = \phi = 0^\circ$	0	--	1	%
Viewing Angle	Horizontal	ϕ	CR \geq 10	-70~65	-80~80	--	°
	Vertical	θ		-70~65	-80~80	--	°
Color Coordinates	White	X	$\theta = \phi = 0^\circ$	0.283	0.313	0.343	Color Coordinates
		Y		0.299	0.329	0.359	
	Red	X		0.625	0.655	0.685	
		Y		0.297	0.327	0.357	
Green	X	0.243	0.273	0.303			
	Y	0.587	0.617	0.647			
Blue	X	0.114	0.144	0.174			
	Y	0.049	0.079	0.109			
Gamut		CG	$\theta = \phi = 0^\circ$	70	72	--	%
Gamma		γ	VESA	2.0	2.2	2.4	--

LTM170EUL31-8TM

Item		Symbol	Condition	Min.	Typ.	Max.	Unit	
Contrast Ratio (Center of screen)		C/R		600	1,000	-		
Response Time	Rising	Tr	Normal $\theta_{L,R}=0$ $\theta_{U,D}=0$ Viewing Angle	-	1.3	4	msec	
	Falling	Tf		-	3.7	6		
Luminance of White (Center of screen)		Y_L			250	300	-	cd/m2
Color Chromaticity (CIE 1931)	Red	Rx			0.620	0.650	0.680	
		Ry			0.300	0.330	0.360	
	Green	Gx			0.270	0.300	0.330	
		Gy			0.570	0.600	0.630	
	Blue	Bx			0.120	0.150	0.180	
		By			0.050	0.080	0.110	
	White	Wx			0.283	0.313	0.343	
		Wy		0.299	0.329	0.359		
Color Chromaticity (CIE 1976)	Red	Ru'		-	0.459	-		
		Rv'		-	0.525	-		
	Green	Gu'		-	0.125	-		
		Gv'		-	0.563	-		
	Blue	Bu'		-	0.164	-		
		Bv'		-	0.197	-		
	White	Wu'		-	0.198	-		
		Wv'		-	0.468	-		
C.G.L	wHITE	$\Delta u'v'$		-	0.018	-		
Item		Symbol	Condition	Min.	Typ.	Max.	Unit	
Color Gamut		-		-	72	-	%	
Color Temperature		-		-	6,500	-	K	
Viewing Angle	Hor.	θ_L	CR \geq 10(5)	70(80)	80(89)	-	Degrees	
		θ_R		70(80)	80(89)	-		
	Ver.	θ_U		70(80)	80(89)	-		
		θ_D		70(80)	80(89)	-		
Brightness Uniformity (9 Points)		B_{uni}		-	-	25	%	

5.3 Parameter guide line for CCFL Inverter

TFT LCD Module:

CLAA170EA07P

ITEM		SYMBOL	MIN	TYP	MAX	UNIT
Power Supply Voltage for LCD		V _{cc}	4.5	5.0	5.5	V
Power Supply Current for LCD		I _{cc}	-	700	950	mA
Permissive Input Ripple Voltage		VRP	-	-	100	mVp-p
Differential impedance		Z _m	90	100	110	Ω
Logic input voltage LVDS:IN+ , IN-	Common Mode Voltage	V _{CM}	1.125	1.25	1.375	V
	Differential Input Voltage	V _{ID}	250	350	450	mV
	Threshold Voltage(High)	V _{TH}	-	-	100	mV
	Threshold Voltage(Low)	V _T L	-100	-	-	mV
LCD Inrush Current		Inrush			3	A
Power consumption		P		3.5	4.75	W

LTM170EUL31-8TM

Item		Symbol	Min.	Typ.	Max.	Unit
Voltage of Power Supply		V _{DD}	4.5	5.0	5.5	V
LVDS Input Characteristics	Differential Input Voltage for LVDS Receiver Threshold	High	-	-	+100	mV
		Low	-100	-	-	mV
	LVDS skew	t _{SKREW}	-300		300	ps
	Differential input voltage	V _{ID}	200		600	mV
	Input voltage range (single-ended)	V _{IN}	0		2.4	V
	Common mode voltage	V _{CM}	0+ V _{ID} /2	1.2	2.4- V _{ID} /2	V
Current of Power Supply	(a) Black	I _{DD}	-	850	-	mA
	(b) White		-	750	-	mA
	(c) Dot		-	1000	1200	mA
Vsync Frequency		f _V	49	60	77	Hz
Hsync Frequency		f _H	56.7	64	82.08	kHz
Main Frequency		f _{DCLK}	40	54	69.28	MHz
Rush Current		I _{RUSH}	-	-	3.0	A

Back Light Unit:

CLAA170EA07P

ITEM	SYMBOL	MIN	TYP	MAX	UNIT
B/L Voltage	VL	572.4	636	699.6	Vrms
B/L Current	IL	7.0	7.5	8.0	mArms
B/L operating current	ILO	3.0	7.5	8.0	mArms
B/L power consumption	WL	--	20.2	22.2	W
Inverter Frequency	FI	45	50	65	kHz
Starting Lamp Voltage	VS	--	--	1600	Vrms
		--	--	1100	Vrms

LTM170EUL31-8TM

Item	Symbol	Min.	Typ.	Max.	Unit	
Lamp Current	I_L	3.0	6.5	7.0	mArms	
Lamp Voltage	V_L	-	650	-	Vrms	
Lamp Frequency	f_L	40	-	60	kHz	
Operating Life Time	Hr	50,000	-	-	Hour	
Inverter waveform	Asymmetry rate	Wasy	---	-	10	%
	Distortion rate	Wdis	1.2726	1.414	1.5554	
Startup Voltage	Vs	-	-	0°C : 1,650	Vrms	
				25°C: 1,450		

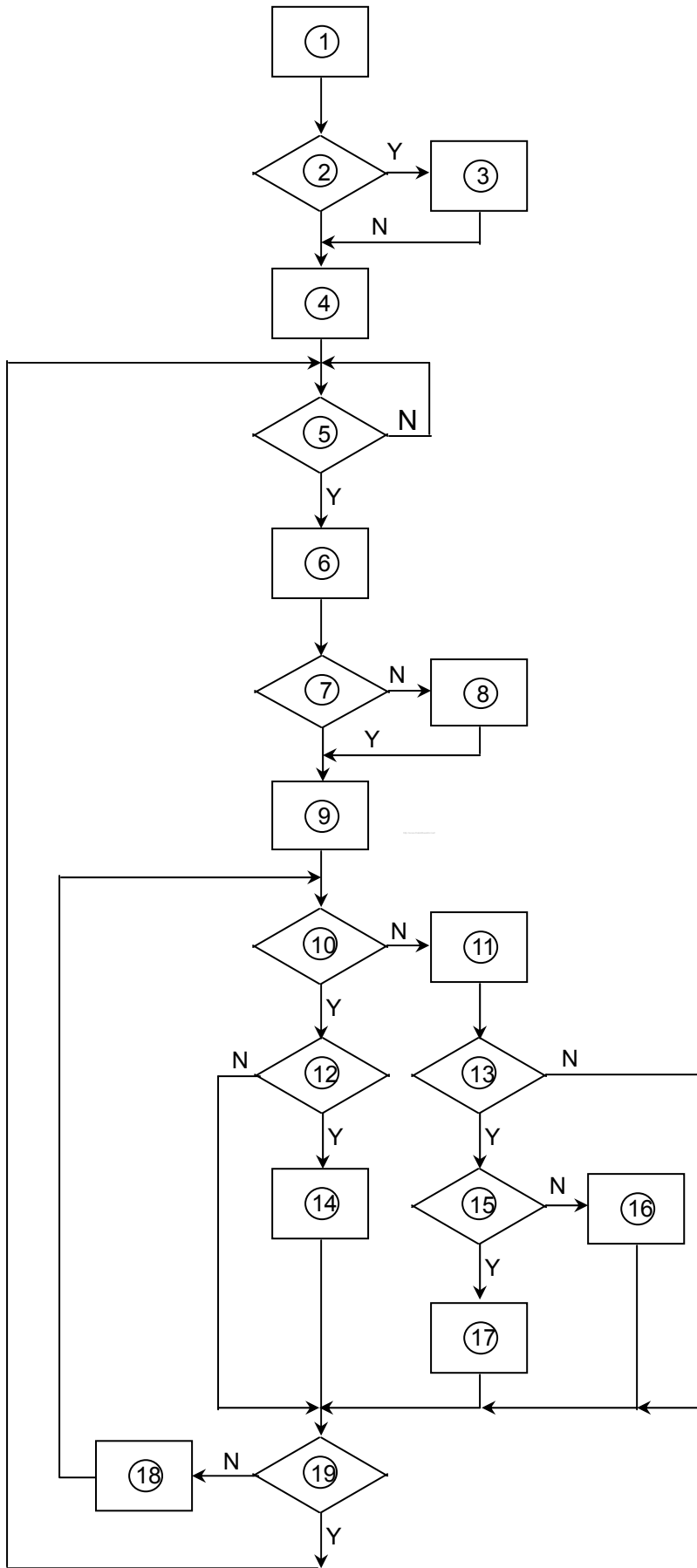
6. Block Diagram

6.1 Monitor Exploded View

ITEM	DESCRIPTION	PART NUMBER	Q'TY
1	BEZEL	34G1567-APC-B	1
2	POWER BUTTON	33G4858-APM-L	1
3	POWER LENS	33G4859-1-C	1
4	OSD FUNCTION KEY	33G6403-APM-L	1
5	REAR COVER	34G1568-EY-B	1
6	LOGO PLATE	34G4856-EY-L	1
7	MAINFRAME_CPT	H15G8162-A-3	1
8	AC SOCKET		1
9	HP L1706 POWER PCB BOARD	PWPC742CH2PH	1
10	HP L1706 SCALE PCB BOARD	CBPC6CM9PH2	1
11	SCREW M3X6	M1G1730-6-128 CR3	4
12	SCREW M3X6	M1G1730-6-128 CR3	3
13	SCREW M4X6	M1G1740-6-128 CR3	1
14	STAND CAP	33G4889-EY-L	1
15	PANEL_CPT	CLAA170EA07P	1
16	SCREW M3X4	M1G130-5-225 CR3	2
17	SCREW M3X6	Q1G330-6-120	2
18	HP L1706 OSD PCB BOARD	KEPC980KHP4P	1
19	HP L1706 POWER KNOB BOARD	KEPC6HB3	1
20	SCREW M3X6	Q1G330-6-120	4
21	SCREW M3X4	P1G3030-5-47 CR3	4
22	STAND PILLAR	34G1625-EY-B	1
23	HINGE ASSY	37G513-5	1
24	SCREW M4X8	Q1G140-8-128 CR3	4
25	STAND BASE	34G1566-EY-B	1
26	BASE BRACKET	15G8161-2	1
27	SCREW M3X6	Q1G130-6-120	5
28	RUBBER FOOT	12G394-4	6
29	SCREW M4X8	M1G340-8-225 CR3	3
	SCREW M4X10	M1G2940-10-225 CR3	4

L1706 EXPLODE

6.2 Software Flow Chart

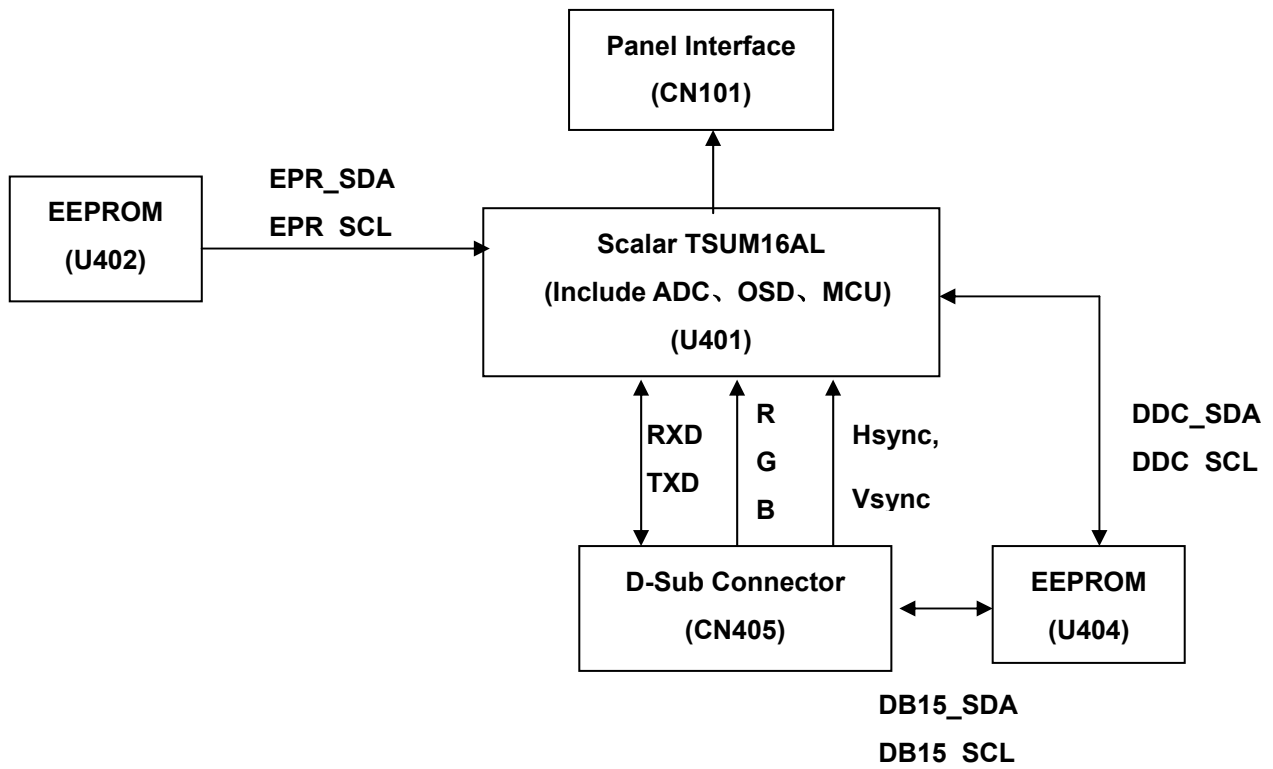


REMARK:

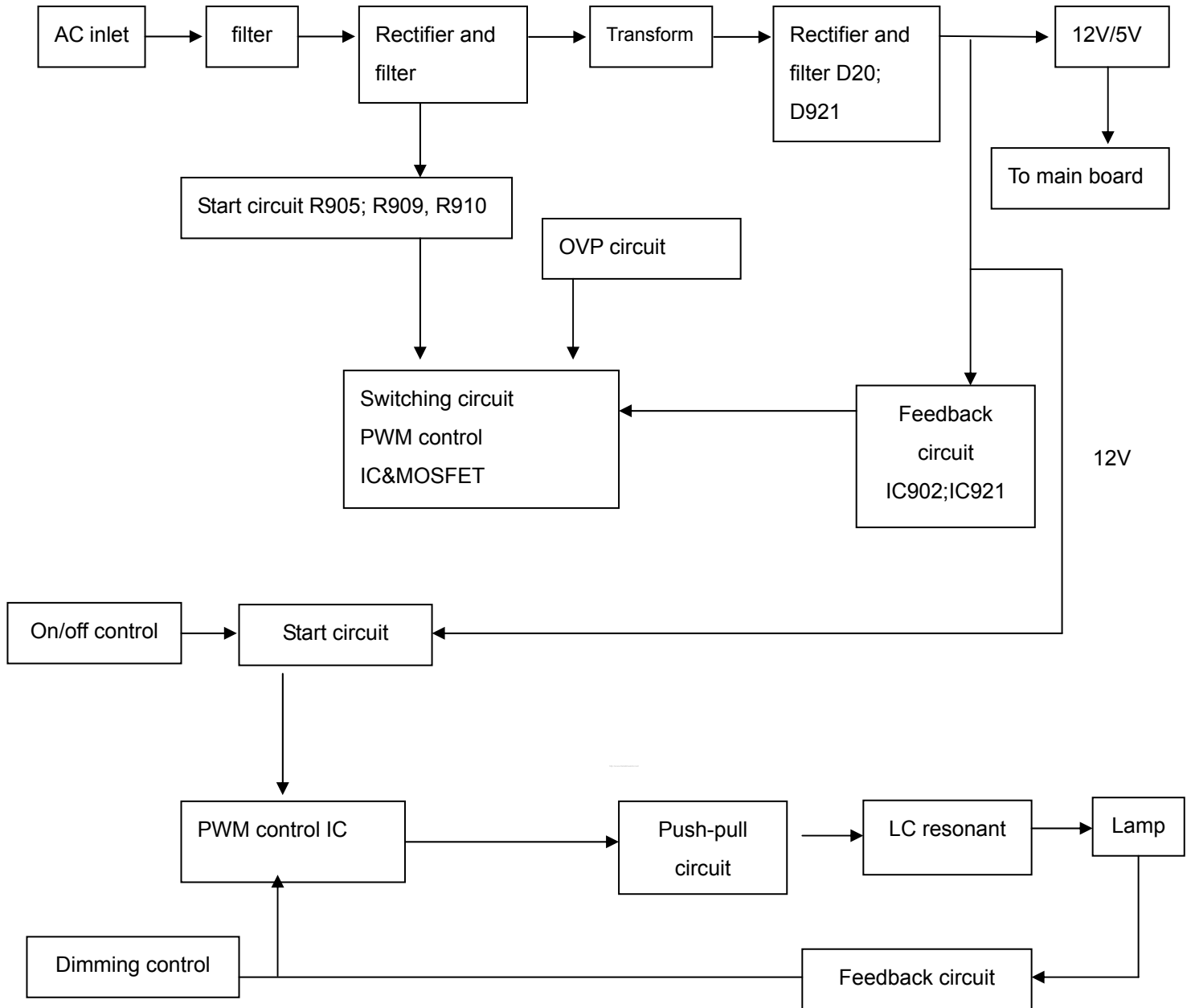
1) MCU initialize.
2) Is the EEprom blank?
3) Program the EEprom by default values.
4) Get the PWM value of brightness from EEprom.
5) Is the power key pressed?
6) Clear all global flags.
7) Are the AUTO and SELECT keys pressed?
8) Enter factory mode.
9) Save the power key status into EEprom. Turn on the LED and set it to green color. Scalar initialize.
10) In standby mode?
11) Update the lifetime of back light.
12) Check the analog port, are they're any signals coming?
13) Does the scalar send out an interrupt request?
14) Wake up the scalar.
15) Are there any signals coming from analog port?
16) Display "No connection Check Signal Cable" message. And go into standby mode after the message disappear.
17) Program the scalar to be able to show the coming mode.
18) Process the OSD display.
19) Read the keyboard. Is the power key pressed?

6.3 Electrical Block Diagram

6.3.1 Scalar Board



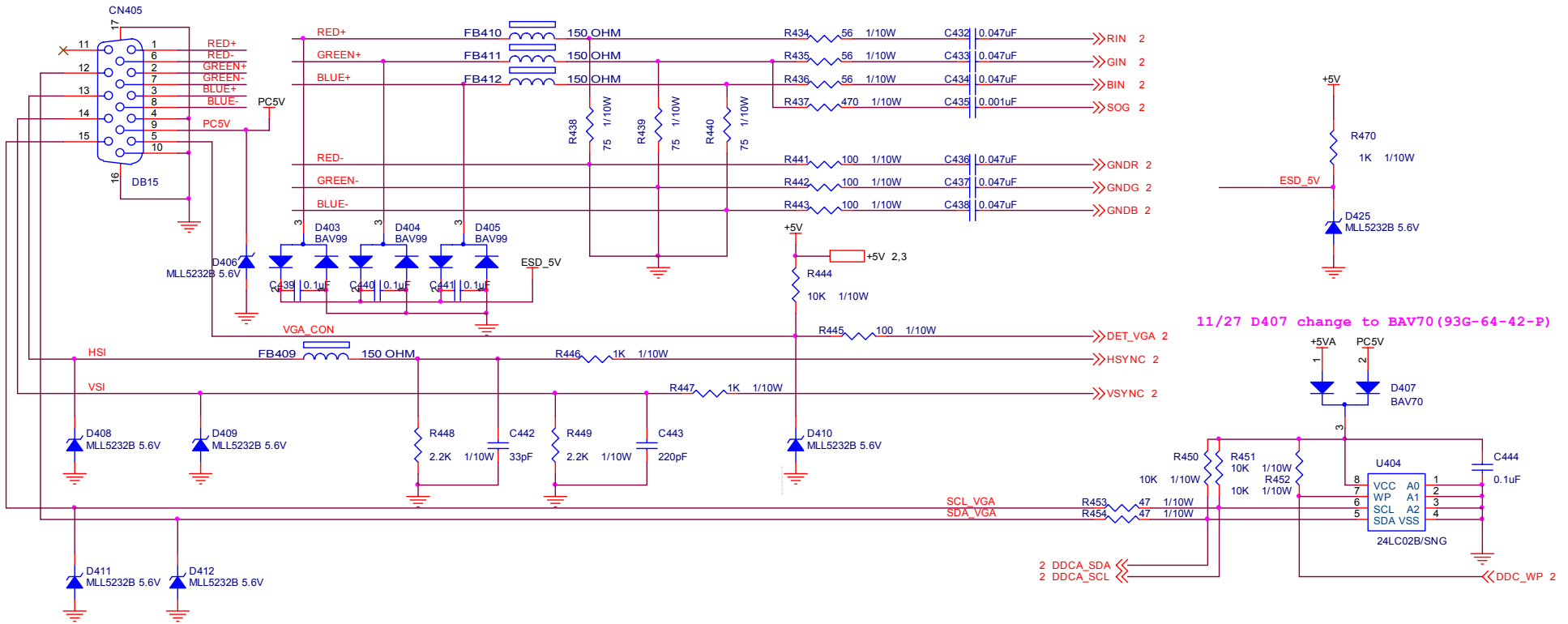
6.3.2 Inverter / Power Board



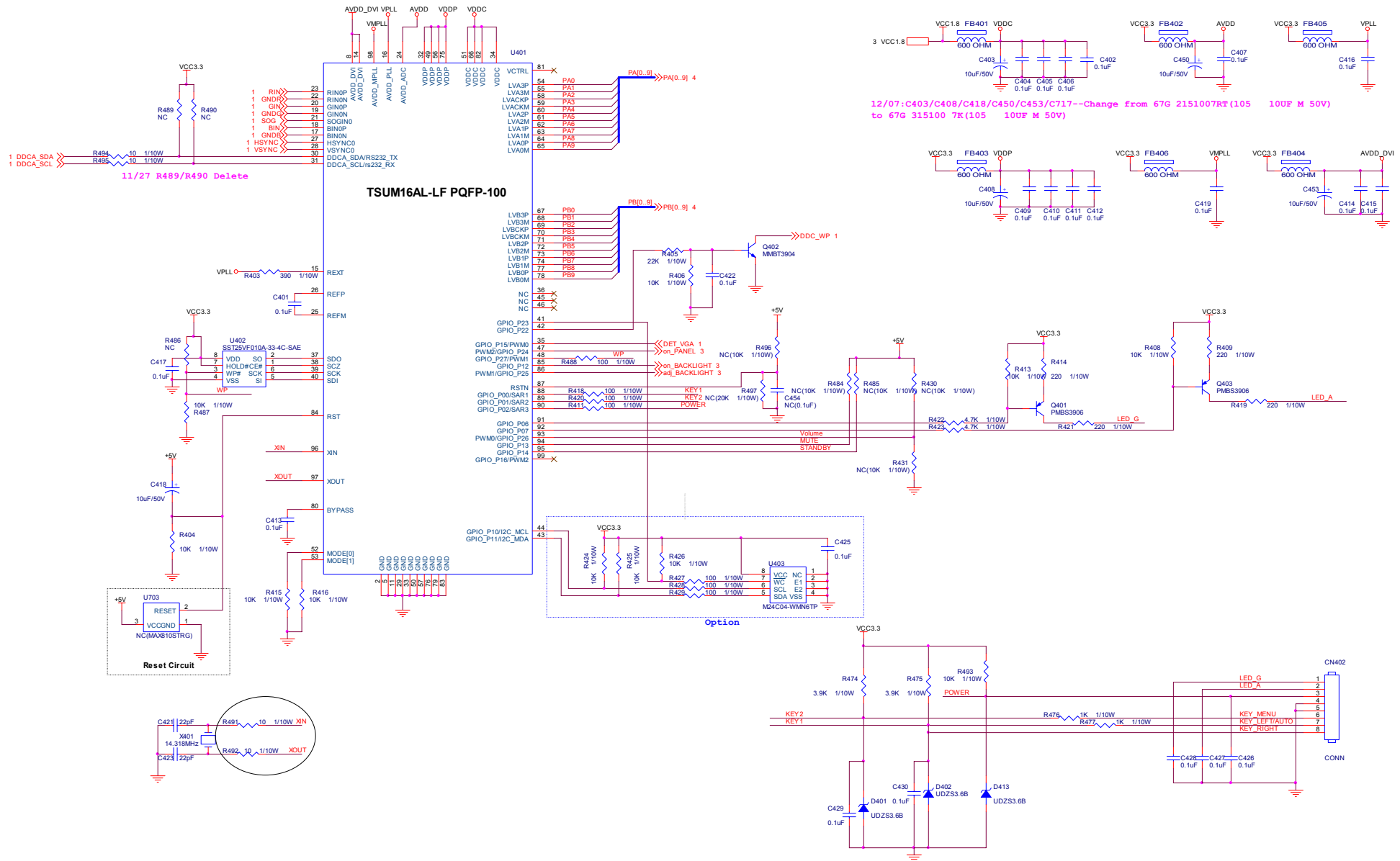
7. Schematic

7.1 Main Board

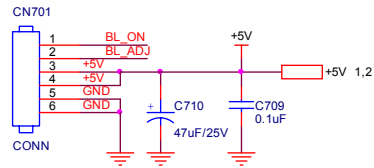
11/21 CN405 #11 change to NC



Title			
715G2433-A(L1706 down size)			
Size	Document Number	INPUT	Rev
B			D
Date:	Thursday, December 07, 2006	Sheet	1 of 4

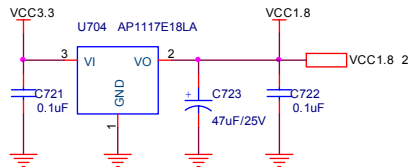


Title			
715G2433-A(L1706 down size)			
Size	Document Number		Rev
C	SCALER		D
Date	Thursday, December 07, 2006		Sheet 2 of 4

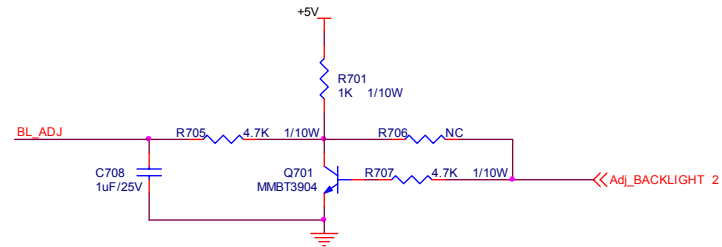
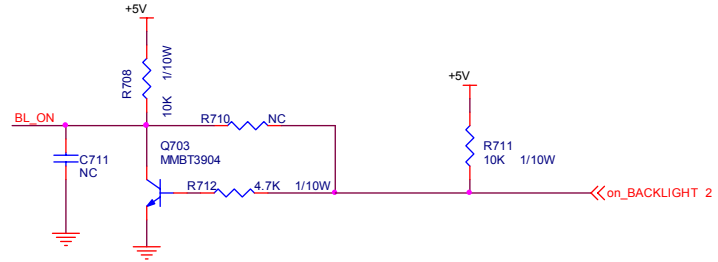


11/21 CN701 change type

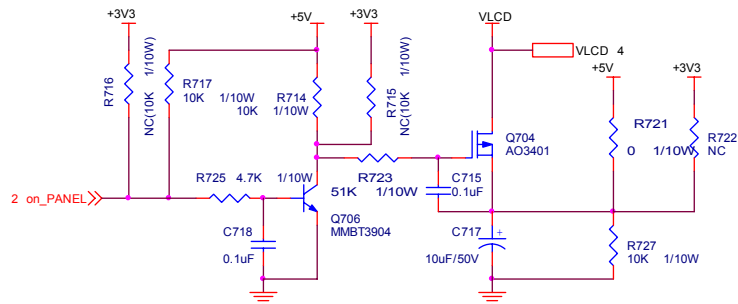
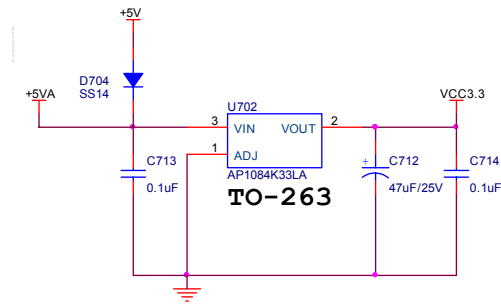
12/07:C710/C712/C720/C723--Change from 67G405V470 3P(105 47uF M 16V) to 67G 315470 4K(105 47UF M 25V)



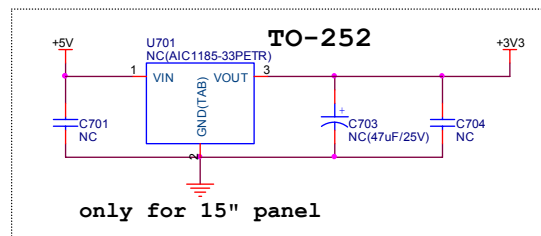
11/21 Delete:Q702/D701/D702/R702/R703/R704/C702
ADD:U704/C721/C722/C723



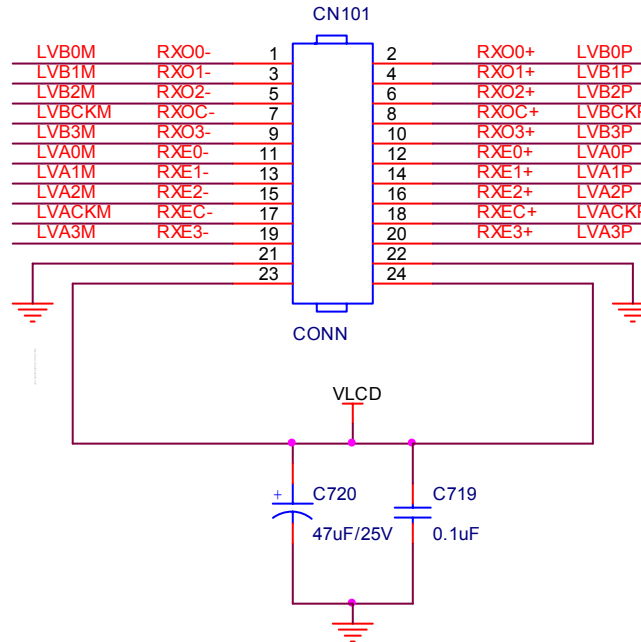
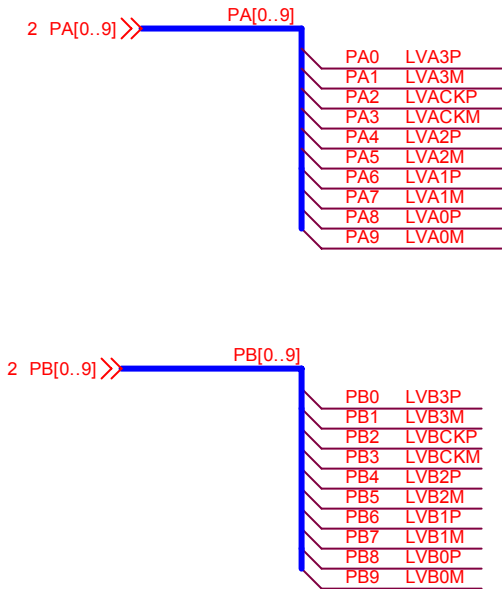
11/22 C708 change to NC/R705 change to Bead(71G 59B121)



10/11 C715 change linking

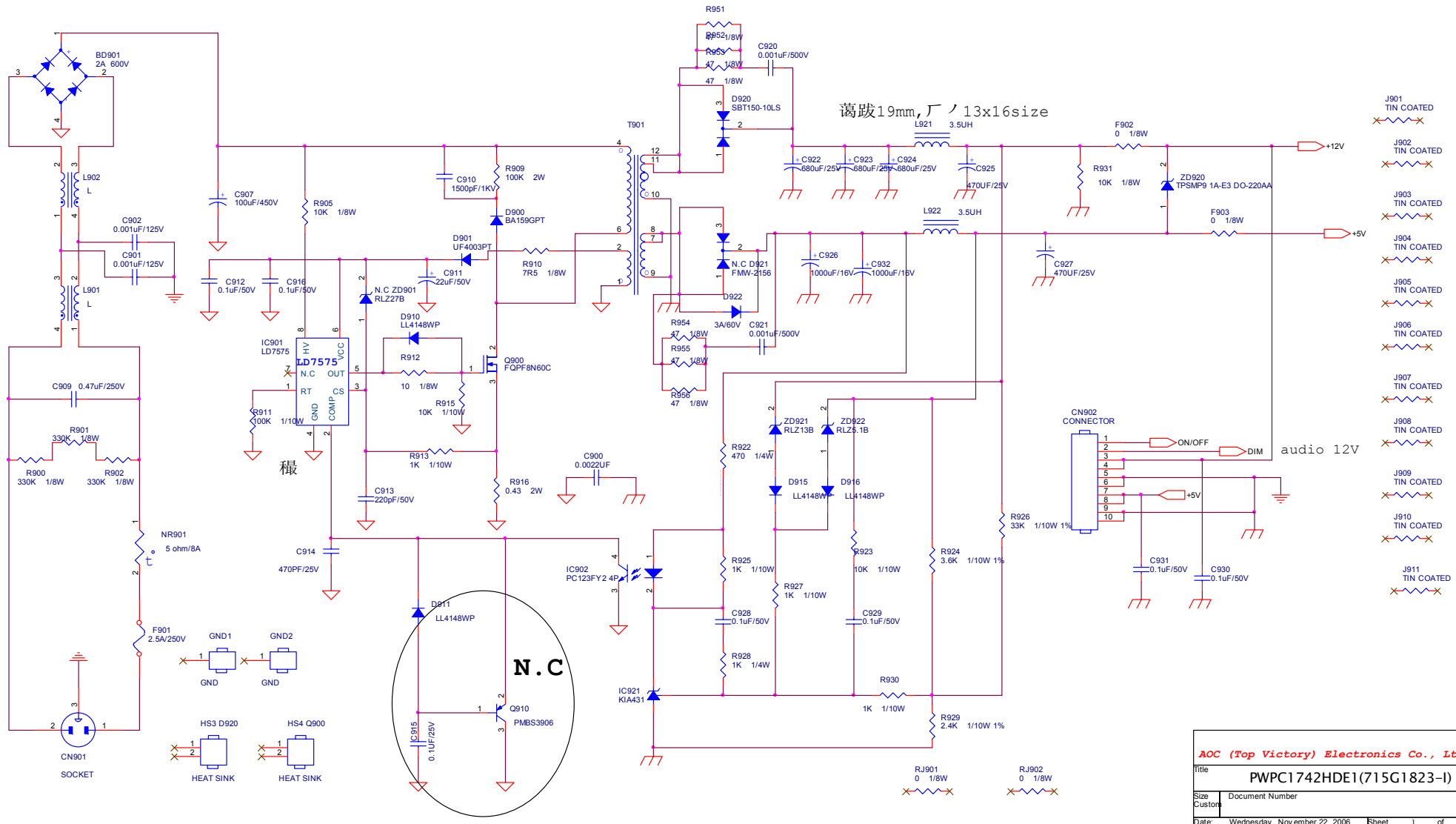


Title		
715G2433-A(L1706 down size)		
Size	Document Number	Rev
B	POWER DC TO DC	D
Date:	Friday, December 08, 2006	Sheet 3 of 4

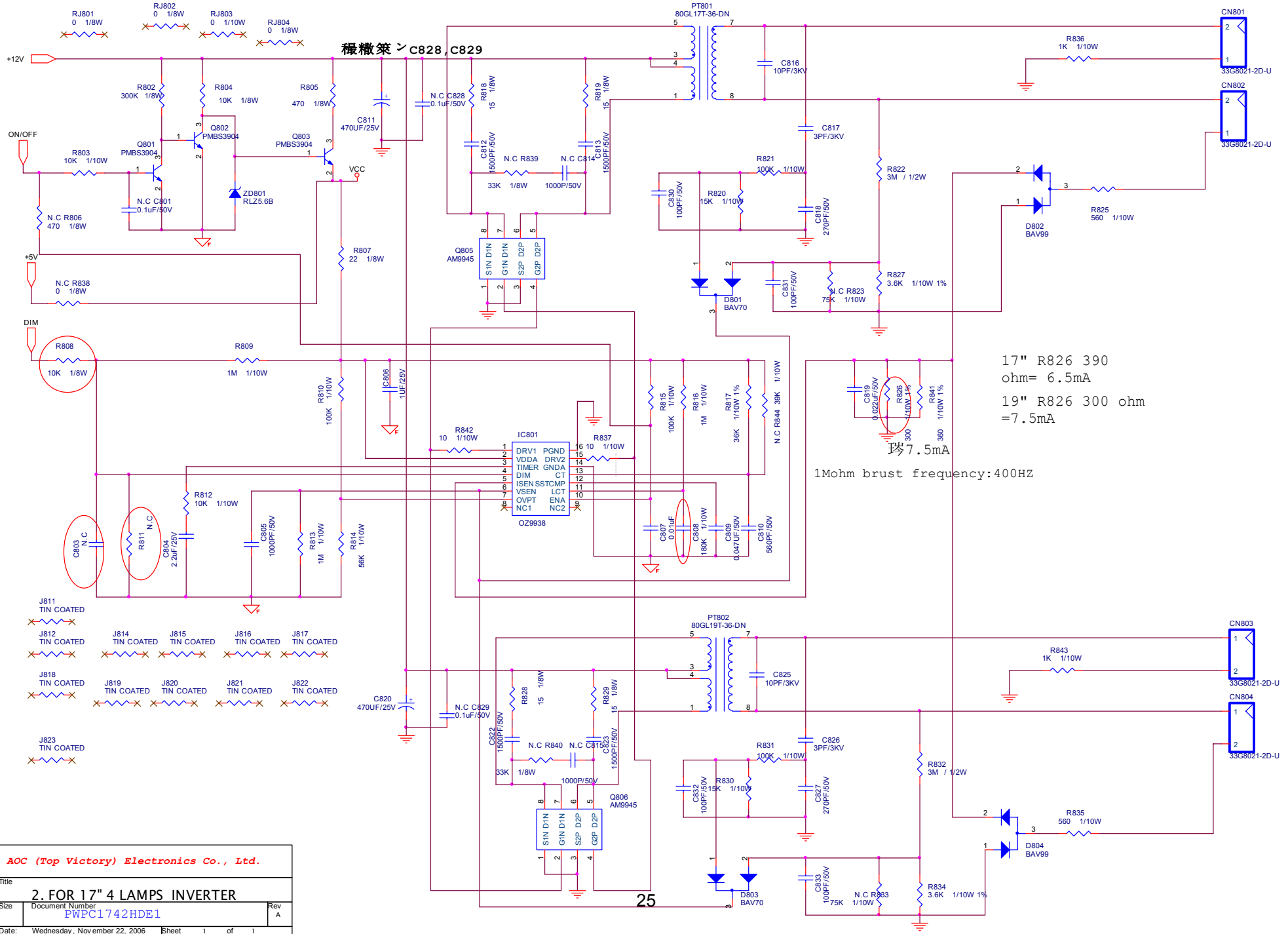


Title		
715G2433-A(L1706 down size)		
Size A	Document Number PANEL INTERFACE	Rev D
Date:	Thursday, December 07, 2006	Sheet 4 of 4

7.2 Power Board



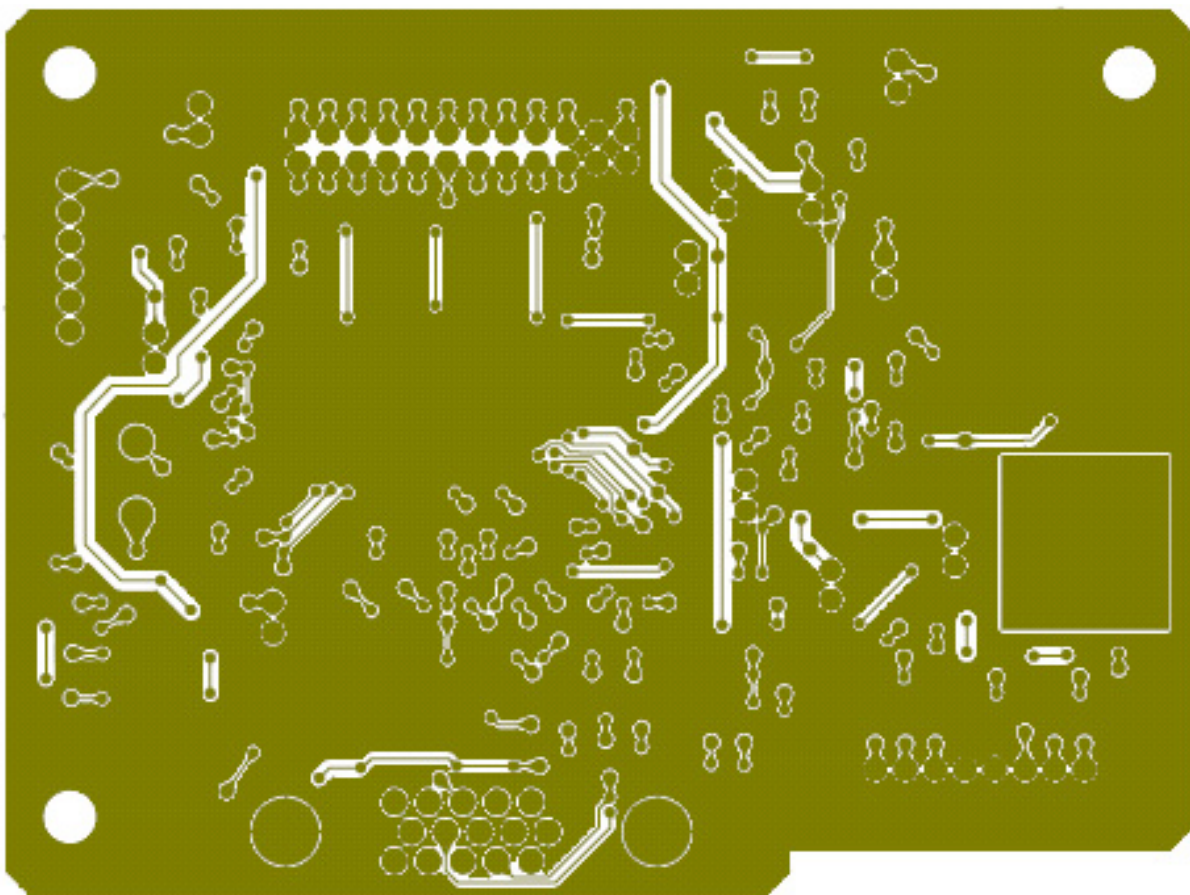
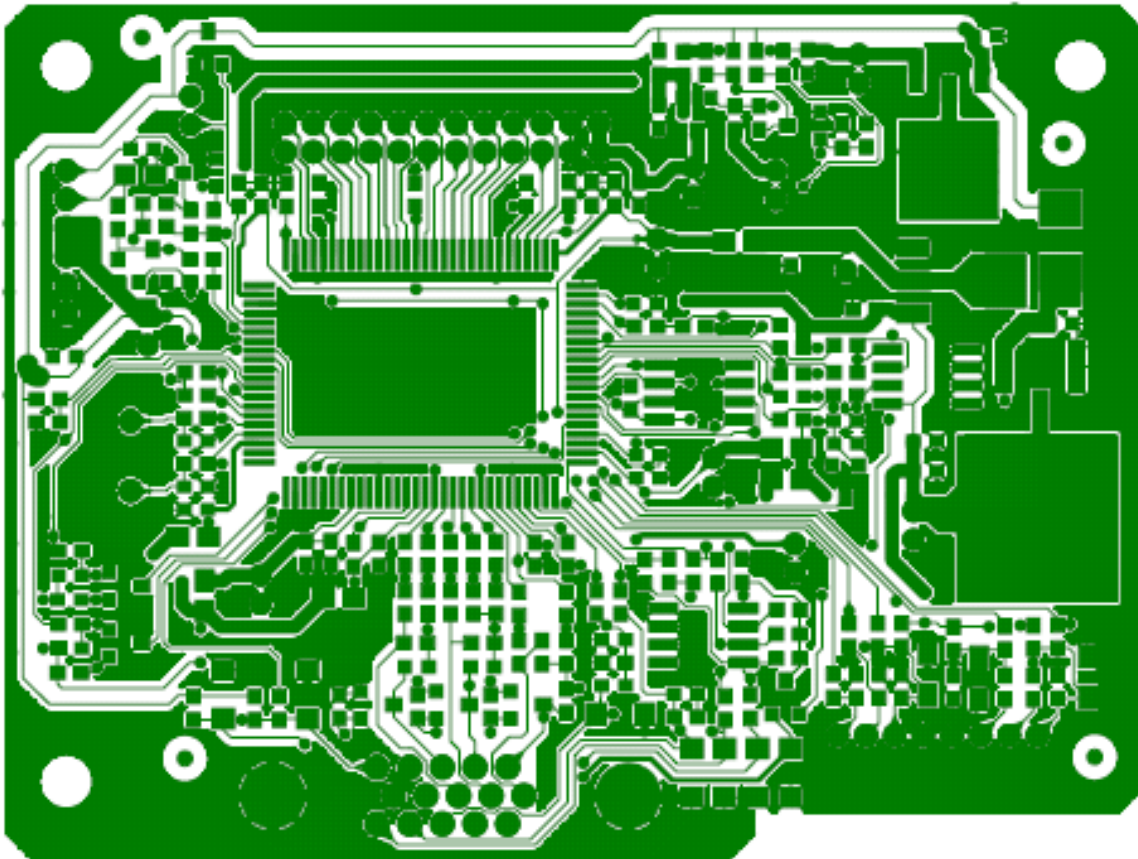
AOC (Top Victory) Electronics Co., Ltd.		
Title PWPC1742HDE1(715G1823-I)		
Size	Document Number	Rev A
Customer		
Date: Wednesday, November 22, 2006	Sheet 1 of 1	

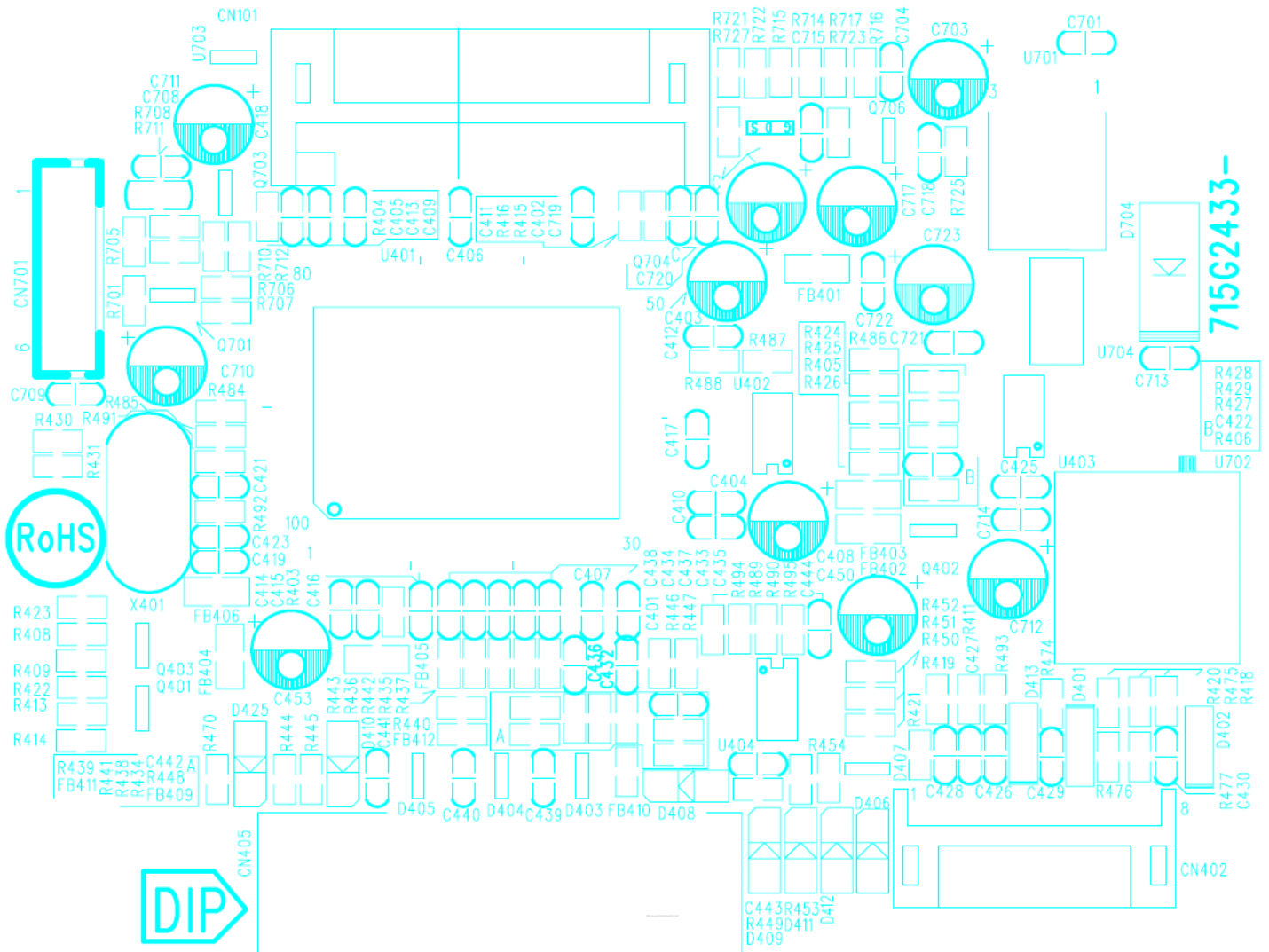


AOC (Top Victory) Electronics Co., Ltd.		
Title		
2. FOR 17" 4 LAMPS INVERTER		
Size	Document Number	Rev
	PWPC1742HDE1	A
Date:	Wednesday, November 22, 2006	Sheet 1 of 1

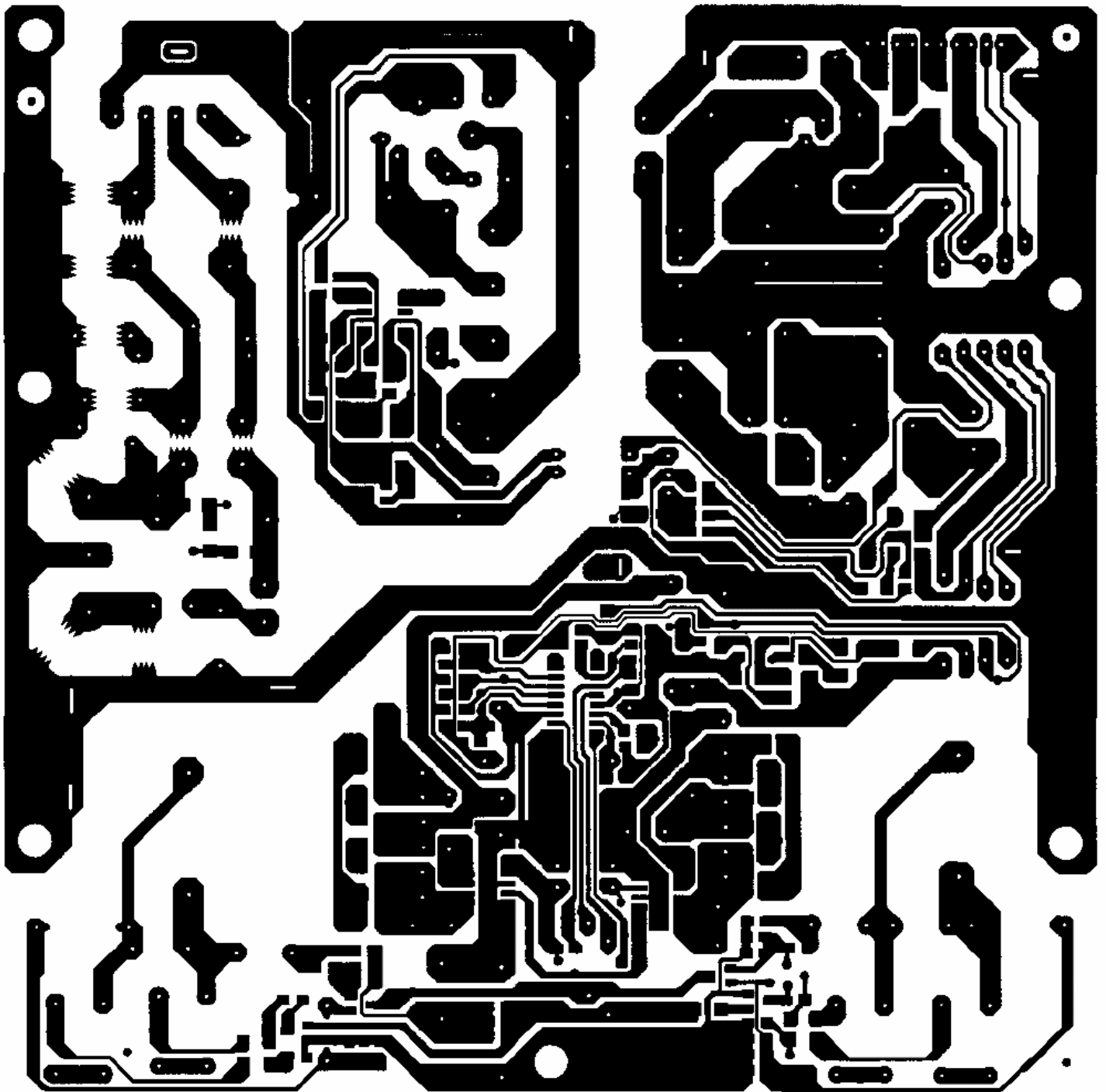
8. PCB Layout

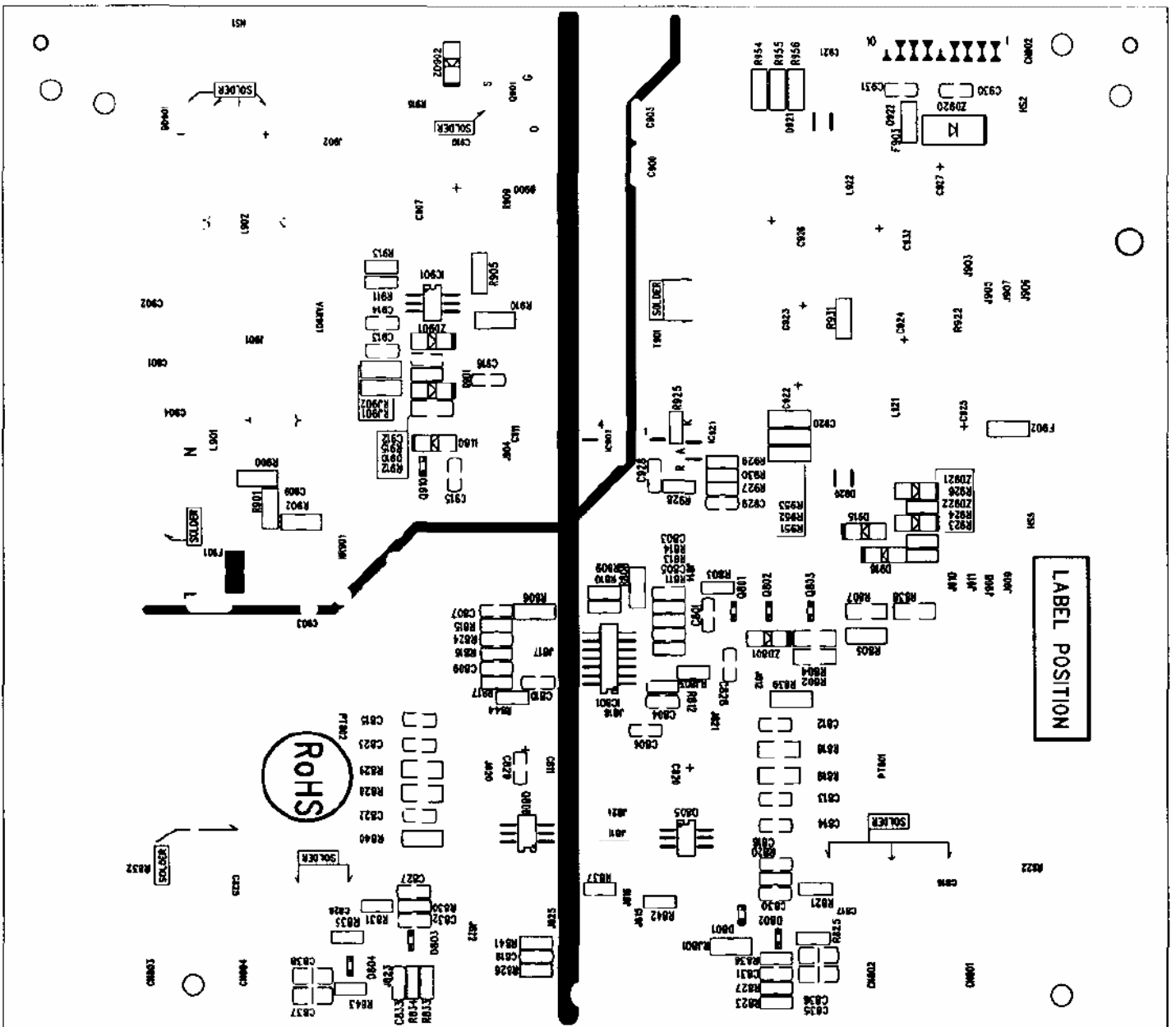
8.1 Main Board

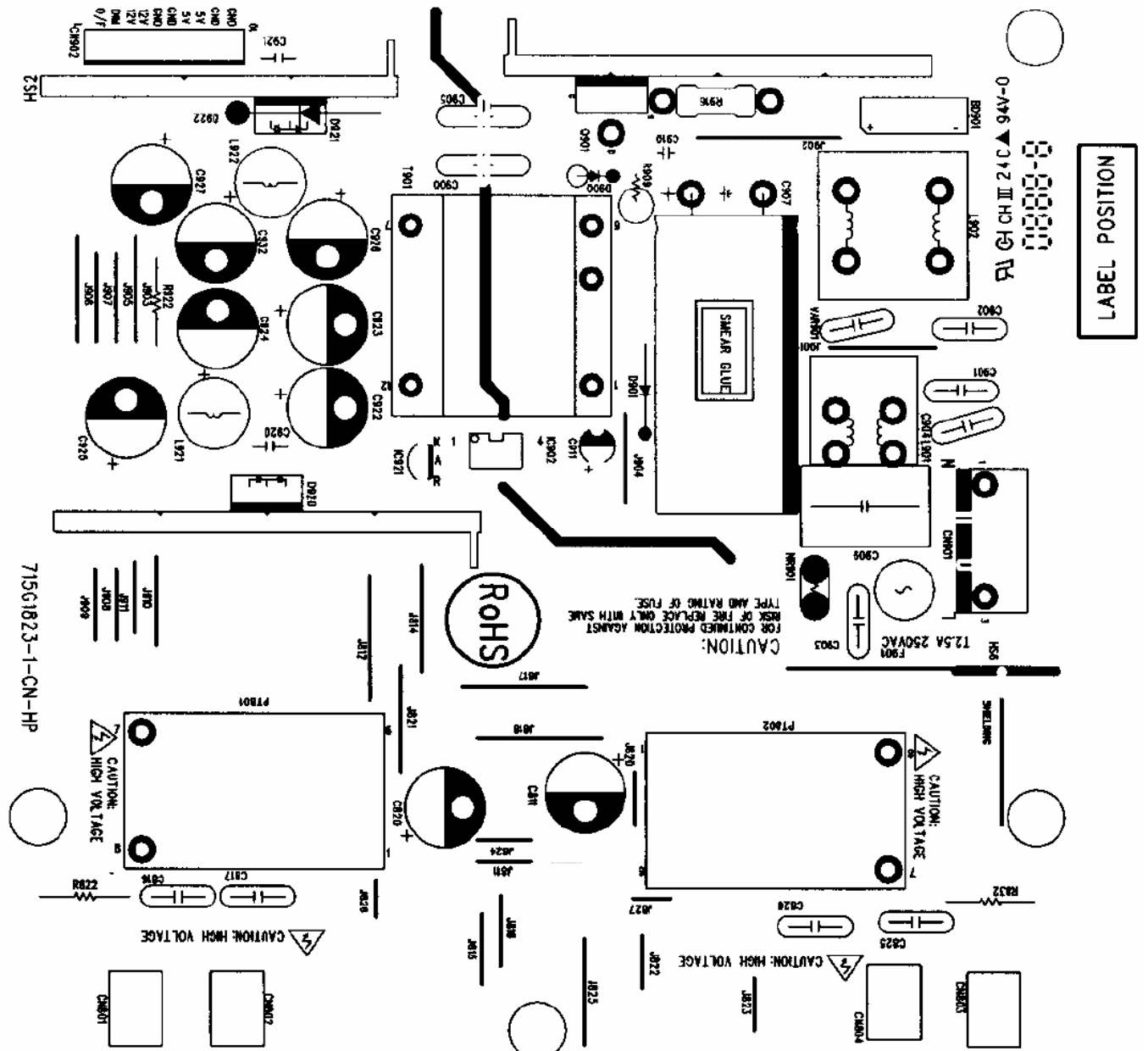




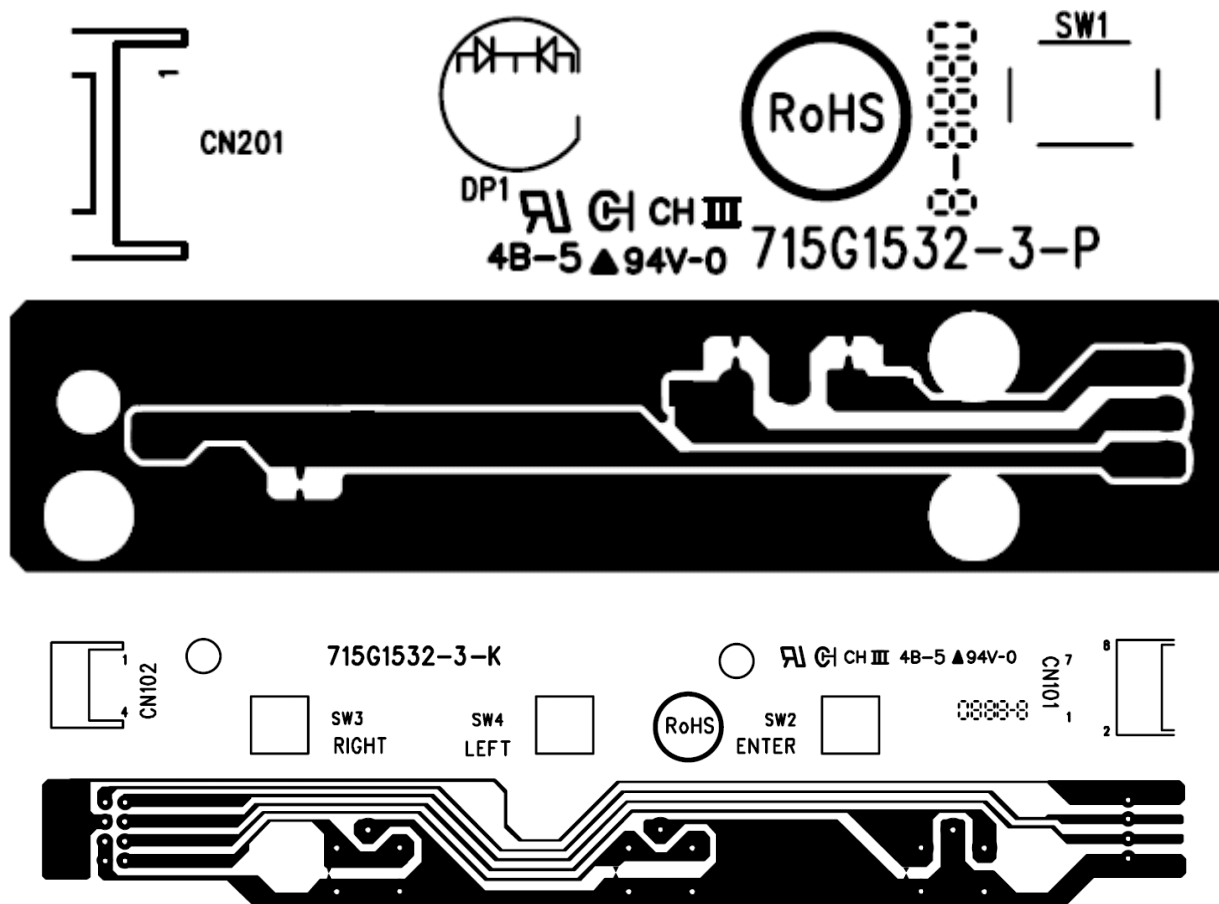
8.2 Power Board







8.3 Key Board



9. Maintainability

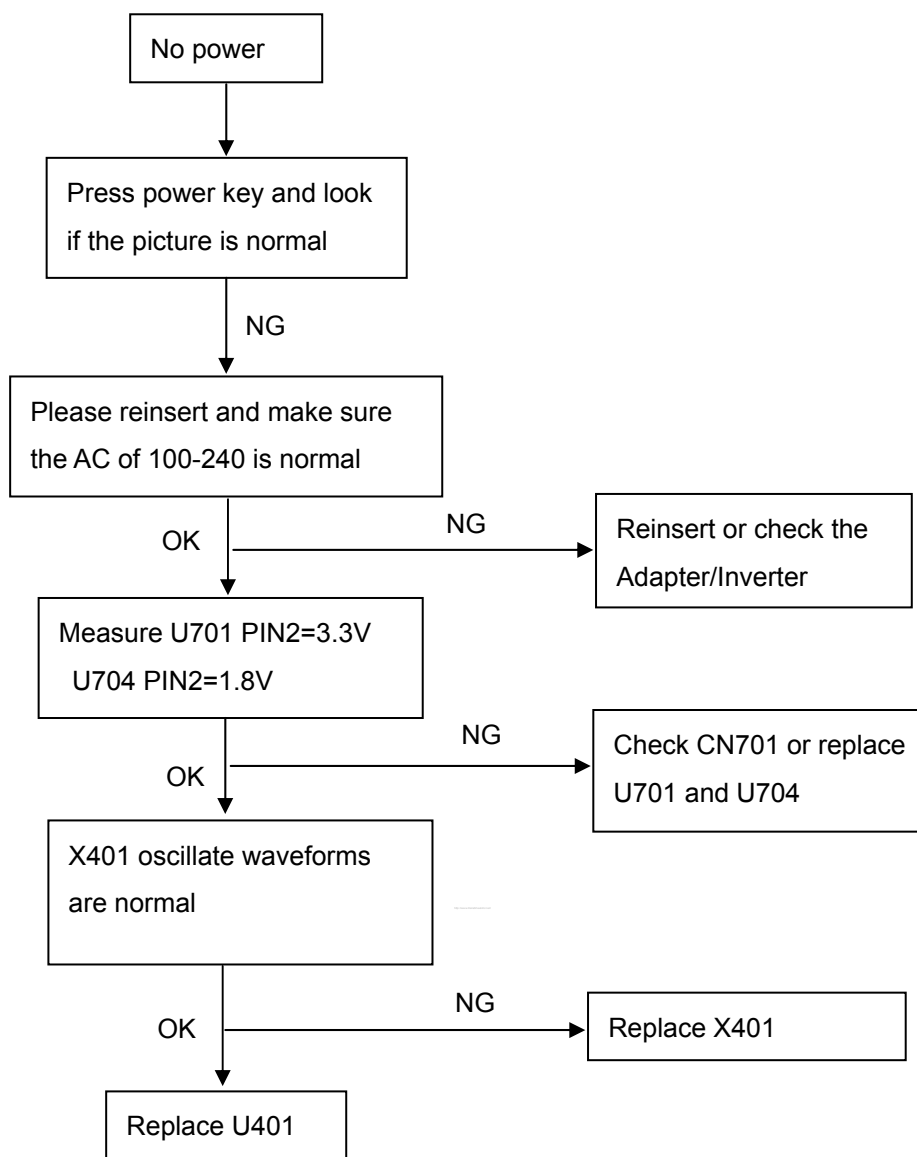
9.1 Equipments and Tools Requirement

1. Multi-meter.
2. Oscilloscope.
3. Pattern Generator.
4. DDC Tool with an IBM Compatible Computer.
5. Alignment Tool.
6. LCD Color Analyzer.
7. Service Manual.
8. User Manual.

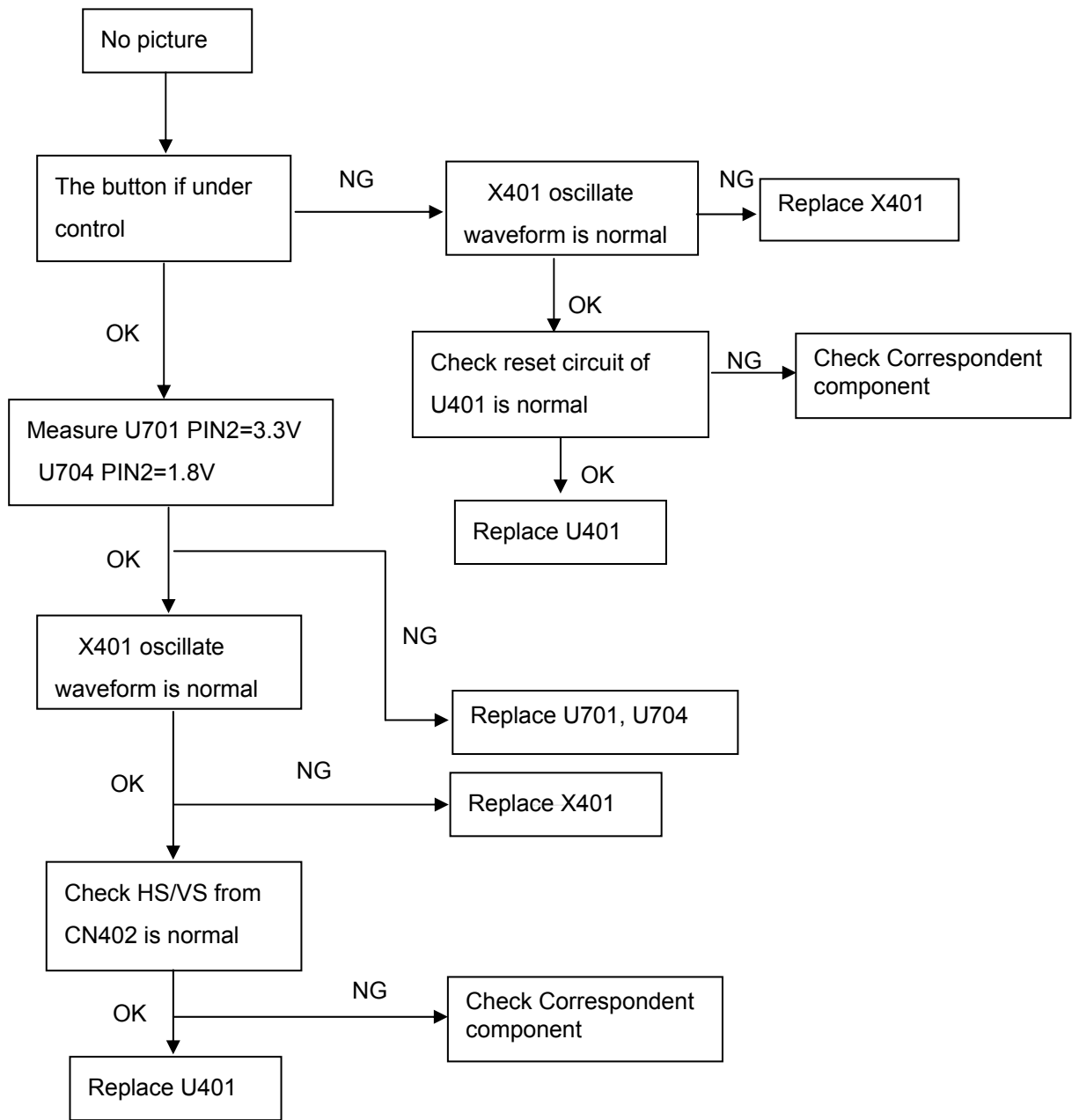
9.2 Trouble Shooting

9.2.1 Main Board

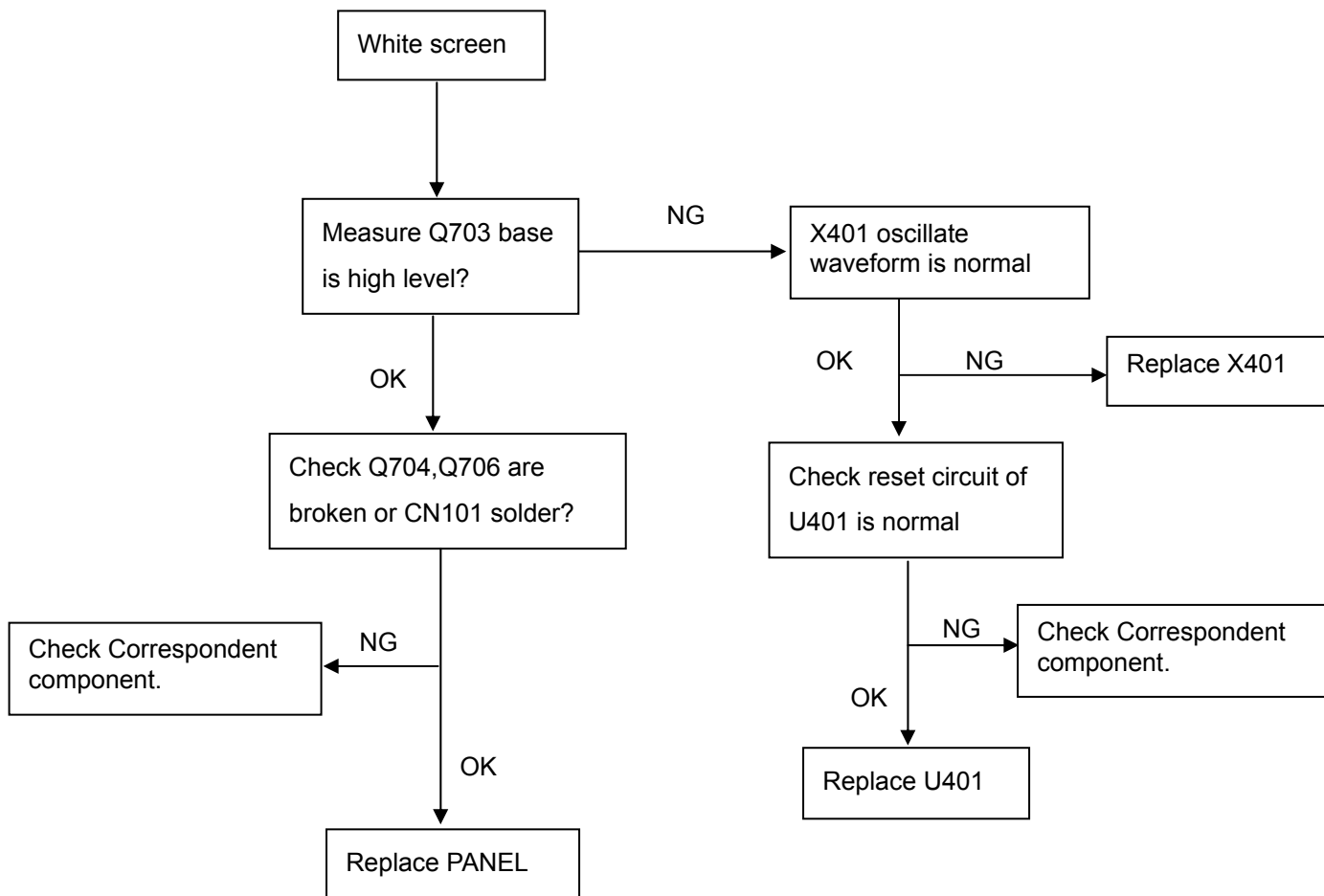
No power



No picture (LED orange)

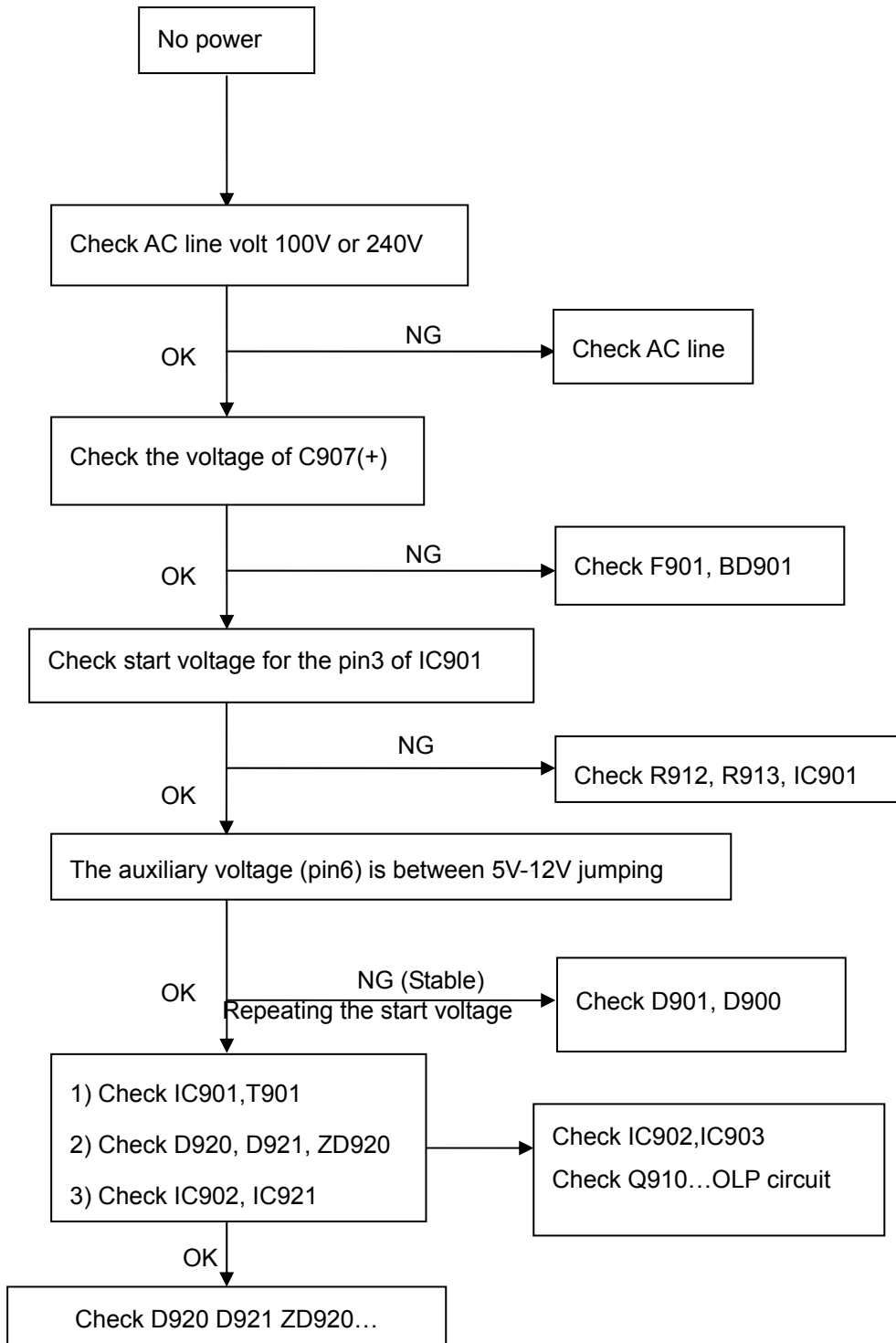


White screen

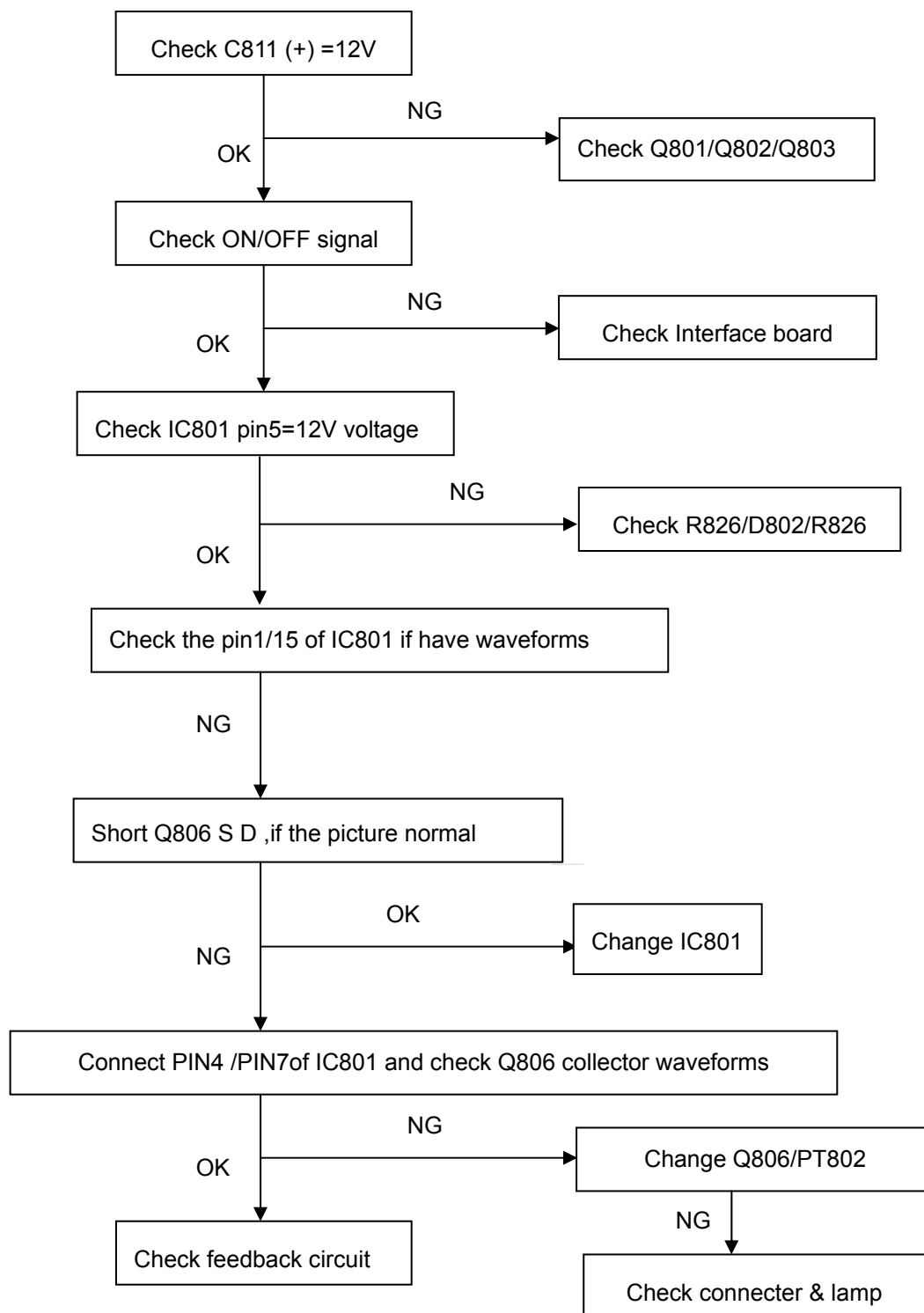


9.2.2 Power Board

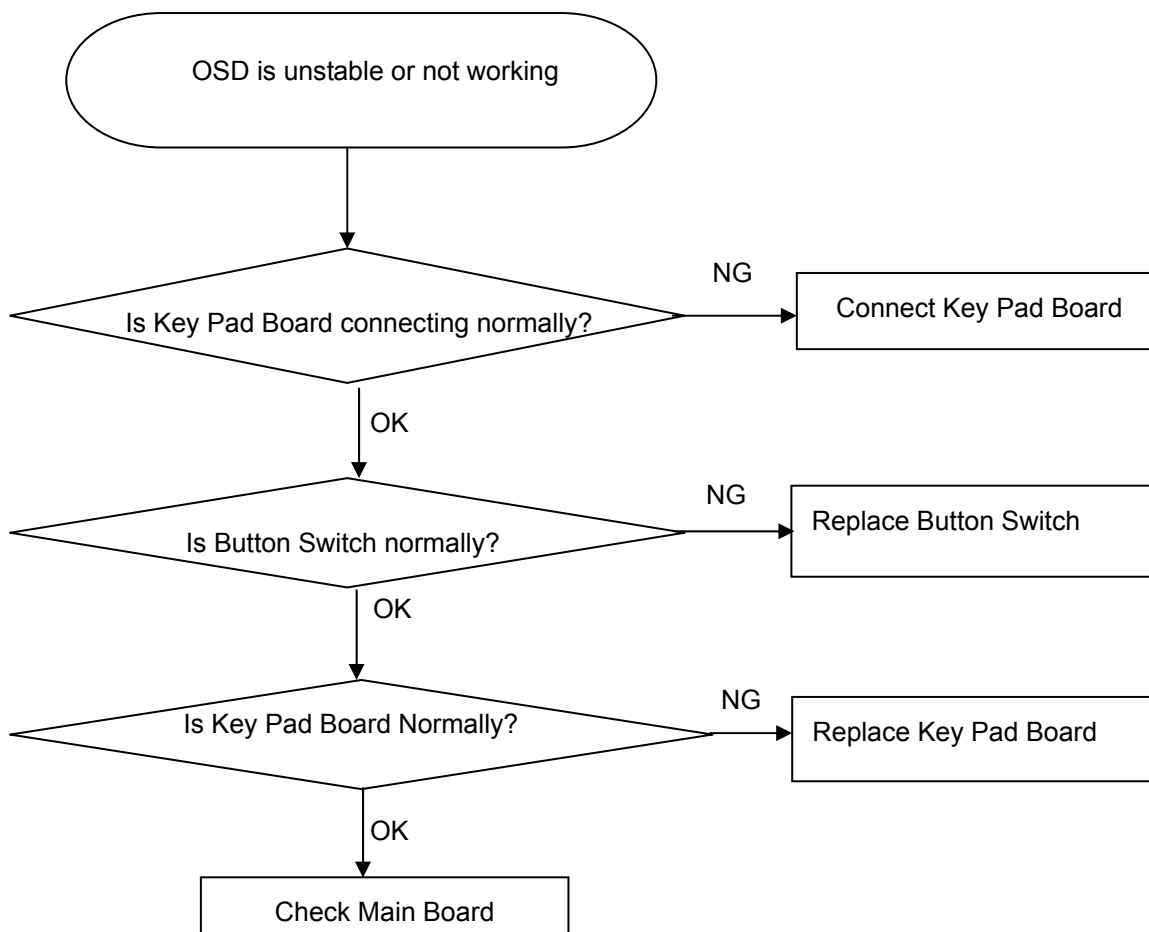
1. No Power



2. W/LED No Backlight




9.2.3 Key Board




10. White- Balance, Luminance Adjustment

Approximately 30 minutes should be allowed for warm up before proceeding White-Balance adjustment.

1. How to do the Chroma-7120 MEM .Channel setting
 - A. Reference to chroma 7120 user guide
 - B. Use “ SC” key and “ NEXT” key to modify xyY value and use “ID” key to modify the TEXT description
Following is the procedure to do white-balance adjust
2. Setting the color temp. You want
 - A. 9300 color: 9300 color temp. parameter is $x = 283 \pm 20$, $y = 297 \pm 20$, $Y > 180 \text{ cd/m}^2$,
 - B. sRGB color: sRGB color temp. parameter is $x = 313 \pm 20$, $y = 329 \pm 20$, $Y > 200 \text{ cd/m}^2$)
 - C. 6500K color: Don't adjust, Custom requires.
3. Into factory mode of HP L1706
 - A. Press DOWN button during 2 seconds along with press Power button will activate the factory mode, then MCU will do AUTO LEVEL automatically. Meanwhile press MENU the OSD screen will located at THE LEFT TOP OF PANEL.
4. Bias adjustment:

Set the Contrast  to 80

Adjust the Brightness  to 90.
5. Gain adjustment :

Move cursor to “-F-” and press MENU key

 - A. Adjust 9300k color-temperature
 1. Switch the Chroma-7120 to 9300k channel.
 2. The chroma 7120 will show $x = 283 \pm 20$, $y = 297 \pm 20$, $Y > 180 \text{ cd/m}^2$
 3. Switch the chroma-720 to RGB MODE (with press “MODE” button to change)
 4. Adjust the RED of color 9300K on factory window until chroma 7120 indicator reached the value $R=100$
 5. Adjust the GREEN of color 9300K on factory window until chroma 7120 indicator reached the value $G=100$
 6. Adjust the BLUE of color 9300K on factory window until chroma 7120 indicator reached the value $B=100$
 7. Repeat above procedure (item 4,5,6) until chroma 7120 RGB value meet the tolerance $=100 \pm 2$
 - B. Adjust sRGB color-temperature
 1. Switch the chroma-7120 to sRGB channel.
 2. The chroma 7120 will show $x = 313 \pm 20$, $y = 329 \pm 20$, $Y = 210 \pm 20 \text{ cd/m}^2$
 3. Switch the chroma 7120 I to RGB MODE (with press “MODE” button to change)
 4. Adjust the RED of color sRGB on factory window until chroma 7120 indicator reached the value $R=100$
 5. Adjust the GREEN of color sRGB on factory window until chroma 7120 indicator reached the value $G=100$
 6. Adjust the BLUE of color sRGB on factory window until chroma 7120 indicator reached the value $B=100$
 7. Repeat above procedure (item 4,5,6) until chroma 7120 RGB value meet the tolerance $=100 \pm 2$
 - C. Press reset key and Turn the Power-button “off to on” to quit from factory mode.

11. BOM List**T76CM9DKAKHPNE**

Location	Part No.	Description
	CBPC6CM9HPH2	MAIN BOARD FOR 17
	KEPC6HB3	KEY BOARD FOR POWER
	KEPC980KHP4P	KEY BOARD
	PWPC742CH2PH	POWER BOARD
	33G4856 EY L	LOGO PLATE
	33G4889 EY L	STAND CAP
	34G1568 EY B	REAR COVER
	40G 58169016A	TCO03 LABEL
	41G780069094B	QSG
	44G3760 1	EPS(L)
	44G3760 2	EPS(R)
	52G 1185	MIDDLE TAPE
	52G 1186	SMALL TAPE
	52G6022 1500	SMALL TAPE
E089B	89G 728CAAE02	SIGNAL CABLE
E089A	89G402A19N IS	AC POWER CABLE
	95G8014 8 30	HARNESS 160MM 8P-8P
E095	95G8018 3QE07	WIRE HARNESS
	M1G 130 5225 CR3	SCREW
	M1G 340 8225 CR3	SCREW 4*8mm
	M1G1730 6128 CR3	SCREW M3x6
	M1G1730 6128 CR3	SCREW M3x6
	M1G1740 6128 CR3	SCREW
	M1G2940 10225 CR3	SCREW
	P1G3030 5 47 CR3	SCREW
	Q1G 330 6120	SCREW M3X6mm
	Q1G 330 6120	SCREW M3X6mm
	Q1G 330 6120	SCREW M3X6mm
	705G780KF34 36	BEZEL ASS'Y
	705G780KP34 10	STAND ASS'Y
	705GH7K0 87001	AC SOCKET ASS'Y
	750GLC70A7P13Z000H	PANEL CLAA170EA07P 000
	H15G8162 A 3	MAIN FRAME
	H40G 170690 2E	RATING LABEL
	H40G 17N690 5A	RATING LABEL
	H40G581H690 2A	CARTON LABEL
	H41G160069033E	DOC KIT FOR NA(391904-D)

	H41G780069099C	SCREEN FLY (311618-007
	H41G7800690B12	RTF CARD(407430-004)
	H44G3760690 3D	CARTON FOR L1706(385898
	H45G 87 1 2H R	PE BAG FOR MONITOR
	H45G 87 4 H R	PE BAG FOR BASE
	H52G6025 16 14	INSULATE SHEET
CN701	33G3802 6 6065	WAFER
CN402	33G3802 8H 6176	WAFER 8P RIGHT ANGLE PI
CN101	33G8043 24 H6176	WAFER
	40G 457624 1B	CPU LABEL
	40G 45762412B	CBPC LABEL
C403	67G 3151007KV6366	ELCAP 10UF +-20% 50V 10
C408	67G 3151007KV6366	ELCAP 10UF +-20% 50V 10
C418	67G 3151007KV6366	ELCAP 10UF +-20% 50V 10
C450	67G 3151007KV6366	ELCAP 10UF +-20% 50V 10
C453	67G 3151007KV6366	ELCAP 10UF +-20% 50V 10
C717	67G 3151007KV6366	ELCAP 10UF +-20% 50V 10
C710	67G 3154704KV6366	ELCAP 47UF +-20% 25V 10
C712	67G 3154704KV6366	ELCAP 47UF +-20% 25V 10
C720	67G 3154704KV6366	ELCAP 47UF +-20% 25V 10
C723	67G 3154704KV6366	ELCAP 47UF +-20% 25V 10
CN405	88G 35315F H	D-SUB 15PIN
X401	93G 22 53	14.31818MHZ HC-49US
U401	56G 562105	TSUM16AL-LF PQFP-100
U702	56G 563 21	AP1084K33LA
U704	56G 56327A	AP1117E18LA SOT223-3L A
U403	56G1133 32	IC M24C04-WMN6TP SO8
U404	56G1133 34	M24C02-WMN6TP
U402	56G1133 74	SST25VF010A-33-4C-SAE
Q402	57G 417 4	PMBS3904/PHILIPS-SMT(04
Q701	57G 417 4	PMBS3904/PHILIPS-SMT(04
Q703	57G 417 4	PMBS3904/PHILIPS-SMT(04
Q706	57G 417 4	PMBS3904/PHILIPS-SMT(04
Q401	57G 417 6	PMBS3906/PHILIPS-SMT(06
Q403	57G 417 6	PMBS3906/PHILIPS-SMT(06
Q704	57G 763 1	AO3401L SOT23 BY AOS(A1
R721	61G0603000 6857	RST CHIPR 0 OHM +-5% 1/
R491	61G0603100 6857	RST CHIPR 10 OHM +-5% 1
R492	61G0603100 6857	RST CHIPR 10 OHM +-5% 1
R494	61G0603100 6857	RST CHIPR 10 OHM +-5% 1

R495	61G0603100	6857	RST CHIPR 10 OHM +-5% 1
R411	61G0603101	6857	RST CHIPR 100 OHM +-5%
R418	61G0603101	6857	RST CHIPR 100 OHM +-5%
R420	61G0603101	6857	RST CHIPR 100 OHM +-5%
R427	61G0603101	6857	RST CHIPR 100 OHM +-5%
R428	61G0603101	6857	RST CHIPR 100 OHM +-5%
R429	61G0603101	6857	RST CHIPR 100 OHM +-5%
R441	61G0603101	6857	RST CHIPR 100 OHM +-5%
R442	61G0603101	6857	RST CHIPR 100 OHM +-5%
R443	61G0603101	6857	RST CHIPR 100 OHM +-5%
R445	61G0603101	6857	RST CHIPR 100 OHM +-5%
R488	61G0603101	6857	RST CHIPR 100 OHM +-5%
R446	61G0603102	6857	RST CHIPR 1KOHM +-5% 1/
R447	61G0603102	6857	RST CHIPR 1KOHM +-5% 1/
R470	61G0603102	6857	RST CHIPR 1KOHM +-5% 1/
R476	61G0603102	6857	RST CHIPR 1KOHM +-5% 1/
R477	61G0603102	6857	RST CHIPR 1KOHM +-5% 1/
R701	61G0603102	6857	RST CHIPR 1KOHM +-5% 1/
R404	61G0603103	6857	RST CHIPR 10KOHM +-5% 1
R406	61G0603103	6857	RST CHIPR 10KOHM +-5% 1
R408	61G0603103	6857	RST CHIPR 10KOHM +-5% 1
R413	61G0603103	6857	RST CHIPR 10KOHM +-5% 1
R415	61G0603103	6857	RST CHIPR 10KOHM +-5% 1
R416	61G0603103	6857	RST CHIPR 10KOHM +-5% 1
R424	61G0603103	6857	RST CHIPR 10KOHM +-5% 1
R425	61G0603103	6857	RST CHIPR 10KOHM +-5% 1
R426	61G0603103	6857	RST CHIPR 10KOHM +-5% 1
R444	61G0603103	6857	RST CHIPR 10KOHM +-5% 1
R450	61G0603103	6857	RST CHIPR 10KOHM +-5% 1
R451	61G0603103	6857	RST CHIPR 10KOHM +-5% 1
R452	61G0603103	6857	RST CHIPR 10KOHM +-5% 1
R487	61G0603103	6857	RST CHIPR 10KOHM +-5% 1
R493	61G0603103	6857	RST CHIPR 10KOHM +-5% 1
R708	61G0603103	6857	RST CHIPR 10KOHM +-5% 1
R711	61G0603103	6857	RST CHIPR 10KOHM +-5% 1
R714	61G0603103	6857	RST CHIPR 10KOHM +-5% 1
R717	61G0603103	6857	RST CHIPR 10KOHM +-5% 1
R727	61G0603103	6857	RST CHIPR 10KOHM +-5% 1
R409	61G0603221	6857	RST CHIPR 220 OHM +-5%
R414	61G0603221	6857	RST CHIPR 220 OHM +-5%

R419	61G0603221	6857	RST CHIPR 220 OHM +-5%
R421	61G0603221	6857	RST CHIPR 220 OHM +-5%
R448	61G0603222	6857	RST CHIPR 2.2KOHM +-5%
R449	61G0603222	6857	RST CHIPR 2.2KOHM +-5%
R405	61G0603223	6857	RST CHIPR 22KOHM +-5% 1
R403	61G0603390 0F6857		RST CHIPR 390 OHM +-1%
R474	61G0603392	6857	RST CHIPR 3.9KOHM +-5%
R475	61G0603392	6857	RST CHIPR 3.9KOHM +-5%
R453	61G0603470	6857	RST CHIPR 47 OHM +-5% 1
R454	61G0603470	6857	RST CHIPR 47 OHM +-5% 1
R437	61G0603471	6857	RST CHIPR 470 OHM +-5%
R422	61G0603472	6857	RST CHIPR 4.7KOHM +-5%
R423	61G0603472	6857	RST CHIPR 4.7KOHM +-5%
R707	61G0603472	6857	RST CHIPR 4.7KOHM +-5%
R712	61G0603472	6857	RST CHIPR 4.7KOHM +-5%
R725	61G0603472	6857	RST CHIPR 4.7KOHM +-5%
R723	61G0603513	6857	RST CHIPR 51KOHM +-5% 1
R434	61G0603560	6857	RST CHIPR 56 OHM +-5% 1
R435	61G0603560	6857	RST CHIPR 56 OHM +-5% 1
R436	61G0603560	6857	RST CHIPR 56 OHM +-5% 1
R438	61G0603750	6857	RST CHIPR 75 OHM +-5% 1
R439	61G0603750	6857	RST CHIPR 75 OHM +-5% 1
R440	61G0603750	6857	RST CHIPR 75 OHM +-5% 1
C435	65G0603102 326857		1000PF +-10% 50V X7R
C401	65G0603104 326029		CHIP 0.1UF 50V X7R
C402	65G0603104 326029		CHIP 0.1UF 50V X7R
C404	65G0603104 326029		CHIP 0.1UF 50V X7R
C405	65G0603104 326029		CHIP 0.1UF 50V X7R
C406	65G0603104 326029		CHIP 0.1UF 50V X7R
C407	65G0603104 326029		CHIP 0.1UF 50V X7R
C409	65G0603104 326029		CHIP 0.1UF 50V X7R
C410	65G0603104 326029		CHIP 0.1UF 50V X7R
C411	65G0603104 326029		CHIP 0.1UF 50V X7R
C412	65G0603104 326029		CHIP 0.1UF 50V X7R
C413	65G0603104 326029		CHIP 0.1UF 50V X7R
C414	65G0603104 326029		CHIP 0.1UF 50V X7R
C415	65G0603104 326029		CHIP 0.1UF 50V X7R
C416	65G0603104 326029		CHIP 0.1UF 50V X7R
C417	65G0603104 326029		CHIP 0.1UF 50V X7R
C419	65G0603104 326029		CHIP 0.1UF 50V X7R

C422	65G0603104 326029	CHIP 0.1UF 50V X7R
C426	65G0603104 326029	CHIP 0.1UF 50V X7R
C427	65G0603104 326029	CHIP 0.1UF 50V X7R
C428	65G0603104 326029	CHIP 0.1UF 50V X7R
C429	65G0603104 326029	CHIP 0.1UF 50V X7R
C430	65G0603104 326029	CHIP 0.1UF 50V X7R
C439	65G0603104 326029	CHIP 0.1UF 50V X7R
C440	65G0603104 326029	CHIP 0.1UF 50V X7R
C441	65G0603104 326029	CHIP 0.1UF 50V X7R
C444	65G0603104 326029	CHIP 0.1UF 50V X7R
C709	65G0603104 326029	CHIP 0.1UF 50V X7R
C713	65G0603104 326029	CHIP 0.1UF 50V X7R
C714	65G0603104 326029	CHIP 0.1UF 50V X7R
C715	65G0603104 326029	CHIP 0.1UF 50V X7R
C718	65G0603104 326029	CHIP 0.1UF 50V X7R
C719	65G0603104 326029	CHIP 0.1UF 50V X7R
C721	65G0603104 326029	CHIP 0.1UF 50V X7R
C722	65G0603104 326029	CHIP 0.1UF 50V X7R
C421	65G0603220 316857	CHIP 22PF 50V NPO
C423	65G0603220 316857	CHIP 22PF 50V NPO
C443	65G0603221 326857	CHIP 220PF 50V X7R
C425	65G0603224 126805	CHIP 0.22UF 50V X7R
C442	65G0603330 316857	33PF+-5% 50V NPO
C432	65G0603473 326805	CHIP 0.047UF 50V X7R
C433	65G0603473 326805	CHIP 0.047UF 50V X7R
C434	65G0603473 326805	CHIP 0.047UF 50V X7R
C436	65G0603473 326805	CHIP 0.047UF 50V X7R
C437	65G0603473 326805	CHIP 0.047UF 50V X7R
C438	65G0603473 326805	CHIP 0.047UF 50V X7R
FB409	71G 56G151 A6888	TB160808G151
FB401	71G 56Z601 6457	CHIP BEAD 600 OHM 0805
FB402	71G 56Z601 6457	CHIP BEAD 600 OHM 0805
FB403	71G 56Z601 6457	CHIP BEAD 600 OHM 0805
FB404	71G 56Z601 6457	CHIP BEAD 600 OHM 0805
FB405	71G 56Z601 6457	CHIP BEAD 600 OHM 0805
FB406	71G 56Z601 6457	CHIP BEAD 600 OHM 0805
R705	71G 59B121 6888	TB160808B
FB410	71G 59C300	30 OHM BEAD
FB411	71G 59C300	30 OHM BEAD
FB412	71G 59C300	30 OHM BEAD

D406	93G 39149	MLL5232B BY FULL POWER
D408	93G 39149	MLL5232B BY FULL POWER
D409	93G 39149	MLL5232B BY FULL POWER
D410	93G 39149	MLL5232B BY FULL POWER
D411	93G 39149	MLL5232B BY FULL POWER
D412	93G 39149	MLL5232B BY FULL POWER
D425	93G 39149	MLL5232B BY FULL POWER
D407	93G 64 42 P	BAV70 SOT-23
D403	93G 6433P	BAV99
D404	93G 6433P	BAV99
D405	93G 6433P	BAV99
D401	93G 39S 94 T	ZENER DIODE UDZS3.6B SC
D402	93G 39S 94 T	ZENER DIODE UDZS3.6B SC
D413	93G 39S 94 T	ZENER DIODE UDZS3.6B SC
D704	93G1004 3	SS14
	715G2433 2 6F2I	MAIN BOARD PCB
SW1	77G 600 1GCJ	TACT SWITCH TSPB-2
DP1	81G 12 1F GP6356	LED
CN201	95G8014 45146078	HARNESS
C001	65G0603102 326857	1000PF +-10% 50V X7R
C002	65G0603102 326857	1000PF +-10% 50V X7R
C003	65G0603102 326857	1000PF +-10% 50V X7R
	715G1532 3 P6F2I	KEPC PCB
CN102	33G3802 4H 6176	WAFER 4P RIGHT ANGLE
CN101	33G8027 8 H6176	WAFER 8P 2.0mm DIP DUAL
SW2	77G 600 1GCJ	TACT SWITCH TSPB-2
SW3	77G 600 1GCJ	TACT SWITCH TSPB-2
SW4	77G 600 1GCJ	TACT SWITCH TSPB-2
	715G1532 3 K6F2I	KEPC PCB
L901	S73G17476V	FIL TER
CN801	33G8021 2E U	WAFER
CN802	33G8021 2E U	WAFER
CN803	33G8021 2E U	WAFER
CN804	33G8021 2E U	WAFER
CN901	33G8029 5A 6176	WAFER
	40G 45762420A	ID LABEL
IC902	56G 139 3A	PC123Y22FZOF
NR901	61G 58080 WT6872	RST NTCR 8 OHM
R916	61G152M438 646W56	RST MOFR 0.43 OHM +-5%
C909	63G107K474 US6377	0.47UF +-10%

C816	65G 3J1206ET H	12PF 5% SL 3KV TDK
C825	65G 3J1206ET H	12PF 5% SL 3KV TDK
C817	65G 3J3096ET H	3PF,J,3KV,Z5P
C826	65G 3J3096ET H	3PF,J,3KV,Z5P
C901	65G305M1022E26W29	1000P 400VAC/250VAC
C902	65G305M1022E26W29	1000P 400VAC/250VAC
C900	65G306M2222BP6W29	2200PF +-20% 400VAC
C905	65G306M3322BP6W29	3300PF 20%
C811	67G215D4714KV6366	ELCAP 470UF +-20% 25V 1
C820	67G215D4714KV6366	ELCAP 470UF +-20% 25V 1
C925	67G215D4714KV6366	ELCAP 470UF +-20% 25V 1
C922	67G215D6814KV6366	ELCAP 105°C 680UF M 25V
C923	67G215D6814KV6366	ELCAP 105°C 680UF M 25V
C924	67G215D6814KV6366	ELCAP 105°C 680UF M 25V
C926	67G215S1023KV6366	ELCAP 1000UF +-20% 16V
C927	67G215S4713KV6366	ELCAP 470UF +-20% 16V 1
C932	67G215S4713KV6366	ELCAP 470UF +-20% 16V 1
C907	67G315Z12115K6366	ELCAP 120UF +-20% 450V
L902	73G 174 65 H	LINE FILTER
L921	73G 253 91 H	CHOKE COIL
L922	73G 253 91 H	CHOKE COIL
T901	80GL17T 33 N	POWER X'FMR
PT801	80GL17T 36 H	XFMR FOR INVERTER DADON
PT802	80GL17T 36 H	XFMR FOR INVERTER DADON
BD901	93G 50460502	KBP206G
D900	93G1100 1052T	BA159G
D922	93G3010 1	31DQ10FC
CN902	95G8014 12E026816	WIRE HARNESS
	705GH9K0 57001	Q901 ASS'Y
	705GH9K0 93002	D920 ASS'Y
	Q51G 6 4508	RTV
	705G 909 11 06	R909 ASS'Y
	705GH7K0 34001	SHIELDING
IC901	56G 379 61	LD7575PS SOP-8
IC801	56G 608 10	OZ9938GN
Q801	57G 417 4	PMBS3904/PHILIPS-SMT(04
Q802	57G 417 4	PMBS3904/PHILIPS-SMT(04
Q803	57G 417 4	PMBS3904/PHILIPS-SMT(04
Q805	57G 763 14	AM9945N
Q806	57G 763 14	AM9945N

R837	61G0805100	6857	RST CHIPR 10 OHM +-5% 1
R842	61G0805100	6857	RST CHIPR 10 OHM +-5% 1
R911	61G0805100	3F6857	RST CHIPR 100KOHM +-1%
R927	61G0805101	6857	RST CHIPR 100 OHM +-5%
R930	61G0805101	6857	RST CHIPR 100 OHM +-5%
R836	61G0805102	6857	RST CHIPR 1KOHM +-5% 1/
R843	61G0805102	6857	RST CHIPR 1KOHM +-5% 1/
R913	61G0805102	6857	RST CHIPR 1KOHM +-5% 1/
R925	61G0805102	6857	RST CHIPR 1KOHM +-5% 1/
R928	61G0805102	6857	RST CHIPR 1KOHM +-5% 1/
R803	61G0805103	6857	RST CHIPR 10KOHM +-5% 1
R812	61G0805103	6857	RST CHIPR 10KOHM +-5% 1
R915	61G0805103	6857	RST CHIPR 10KOHM +-5% 1
R923	61G0805103	6857	RST CHIPR 10KOHM +-5% 1
R810	61G0805104	6857	RST CHIPR 100KOHM +-5%
R815	61G0805104	6857	RST CHIPR 100KOHM +-5%
R813	61G0805105	6857	RST CHIPR 1MOHM +-5% 1/
R816	61G0805105	6857	RST CHIPR 1MOHM +-5% 1/
R821	61G0805110	3F6857	RST CHIPR 110KOHM +-1%
R831	61G0805110	3F6857	RST CHIPR 110KOHM +-1%
R820	61G0805150	2F6857	RST CHIPR 15KOHM +-1% 1
R830	61G0805150	2F6857	RST CHIPR 15KOHM +-1% 1
R824	61G0805184	6857	RST CHIPR 180KOHM +-5%
R929	61G0805240	1F6857	RST CHIPR 2.4KOHM +-1%
R826	61G0805301	6857	RST CHIPR 300 OHM +-5%
R827	61G0805330	1F6857	RST CHIPR 3.3KOHM +-1%
R834	61G0805330	1F6857	RST CHIPR 3.3KOHM +-1%
R926	61G0805330	2F6857	RST CHIPR 33KOHM +-1% 1
R841	61G0805360	0F6857	RST CHIPR 360 OHM +-1%
R924	61G0805360	1F6857	RST CHIPR 3.6KOHM +-1%
R817	61G0805390	2F6857	RST CHIPR 39KOHM +-1% 1
R825	61G0805561	6857	RST CHIPR 560 OHM +-5%
R835	61G0805561	6857	RST CHIPR 560 OHM +-5%
R814	61G0805623	6857	RST CHIPR 62KOHM +-5% 1
C835	61G1206000	6857	RST CHIPR 0 OHM +-5% 1/
C836	61G1206000	6857	RST CHIPR 0 OHM +-5% 1/
C837	61G1206000	6857	RST CHIPR 0 OHM +-5% 1/
C838	61G1206000	6857	RST CHIPR 0 OHM +-5% 1/
F902	61G1206000	6857	RST CHIPR 0 OHM +-5% 1/
F903	61G1206000	6857	RST CHIPR 0 OHM +-5% 1/

RJ801	61G1206000	6857	RST CHIPR 0 OHM +-5% 1/
RJ901	61G1206000	6857	RST CHIPR 0 OHM +-5% 1/
RJ902	61G1206000	6857	RST CHIPR 0 OHM +-5% 1/
R912	61G1206100	6857	RST CHIPR 10 OHM +-5% 1
R804	61G1206103	6857	RST CHIPR 10KOHM +-5% 1
R808	61G1206103	6857	RST CHIPR 10KOHM +-5% 1
R905	61G1206103	6857	RST CHIPR 10KOHM +-5% 1
R931	61G1206103	6857	RST CHIPR 10KOHM +-5% 1
R818	61G1206150	6857	RST CHIPR 15 OHM +-5% 1
R819	61G1206150	6857	RST CHIPR 15 OHM +-5% 1
R828	61G1206150	6857	RST CHIPR 15 OHM +-5% 1
R829	61G1206150	6857	RST CHIPR 15 OHM +-5% 1
R807	61G1206220	6857	RST CHIPR 22 OHM +-5% 1
R802	61G1206304	6857	RST CHIPR 300KOHM +-5%
R900	61G1206334	6857	RST CHIPR 330KOHM +-5%
R901	61G1206334	6857	RST CHIPR 330KOHM +-5%
R902	61G1206334	6857	RST CHIPR 330KOHM +-5%
R951	61G1206470	6857	RST CHIPR 47 OHM +-5% 1
R952	61G1206470	6857	RST CHIPR 47 OHM +-5% 1
R954	61G1206470	6857	RST CHIPR 47 OHM +-5% 1
R955	61G1206470	6857	RST CHIPR 47 OHM +-5% 1
R805	61G1206471	6857	RST CHIPR 470 OHM +-5%
R910	61G1206759	6857	RST CHIPR 7.5 OHM +-5%
C833	65G0805101 316029		CHIP 100PF 50V NPD 0805
C805	65G0805102 326857		CHIP 1000P 50VX7R 0805
C807	65G0805103 326029		10NF/50V/0805/X7R
C912	65G0805104 326805		CHIP 0.1U 50V X7R
C916	65G0805104 326805		CHIP 0.1U 50V X7R
C928	65G0805104 326805		CHIP 0.1U 50V X7R
C929	65G0805104 326805		CHIP 0.1U 50V X7R
C930	65G0805104 326805		CHIP 0.1U 50V X7R
C931	65G0805104 326805		CHIP 0.1U 50V X7R
C806	65G0805105 226029		CHIP 1UF 25V X7R 0805
C812	65G0805152 326805		CHIP 1500PF 50V X7R 080
C813	65G0805152 326805		CHIP 1500PF 50V X7R 080
C822	65G0805152 326805		CHIP 1500PF 50V X7R 080
C823	65G0805152 326805		CHIP 1500PF 50V X7R 080
C913	65G0805221 326857		CHIP 220PF 50V X7R 0805
C819	65G0805223 226029		CHIP 0.022UF 25V X7R 08
C804	65G0805225 126029		CHIP 2.2UF 15V X7R 0805

C818	65G0805271 316029	MLCC 0805 270PF J 50V N
C827	65G0805271 316029	MLCC 0805 270PF J 50V N
C831	65G0805271 316029	MLCC 0805 270PF J 50V N
C830	65G0805470 316805	47PF/50V/0805/NPO
C832	65G0805470 316805	47PF/50V/0805/NPO
C914	65G0805471 226029	470PF 25V
C810	65G0805471 316857	CHIP 470PF 50V NPO
C809	65G0805473 326029	CHIP 0.047UF 50V X7R
D801	93G 64 42 PP	BAV70 SOT-23
D803	93G 64 42 PP	BAV70 SOT-23
D910	93G 64 44 S	LL4148WP
D915	93G 64 44 S	LL4148WP
D916	93G 64 44 S	LL4148WP
D802	93G 6433P	BAV99
D804	93G 6433P	BAV99
ZD801	93G 39S 24 T	RLZ 5.6B LLDS
ZD922	93G 39S 25 T	RLZ5.1B BY ROHM
ZD920	93G 39S 38 T	PTZ 9.1B
ZD921	93G 39S 40 T	RLZ 13B LLDS
CN901	6G 31500	EYELET
C907	6G 31502	1.5MM RIVET
L901	6G 31502	1.5MM RIVET
L902	6G 31502	1.5MM RIVET
NR901	6G 31502	1.5MM RIVET
PT801	6G 31502	1.5MM RIVET
PT802	6G 31502	1.5MM RIVET
Q901	6G 31502	1.5MM RIVET
R916	6G 31502	1.5MM RIVET
T901	6G 31502	1.5MM RIVET
	715G1823 1 CN HP	POWER BOARD PCB
J811	95G 90 23	TINCOATEDCOPPER
J812	95G 90 23	TINCOATEDCOPPER
J814	95G 90 23	TINCOATEDCOPPER
J815	95G 90 23	TINCOATEDCOPPER
J816	95G 90 23	TINCOATEDCOPPER
J817	95G 90 23	TINCOATEDCOPPER
J818	95G 90 23	TINCOATEDCOPPER
J820	95G 90 23	TINCOATEDCOPPER
J821	95G 90 23	TINCOATEDCOPPER
J822	95G 90 23	TINCOATEDCOPPER

J823	95G 90 23	TINCOATEDCOPPER
J824	95G 90 23	TINCOATEDCOPPER
J825	95G 90 23	TINCOATEDCOPPER
J901	95G 90 23	TINCOATEDCOPPER
J902	95G 90 23	TINCOATEDCOPPER
J903	95G 90 23	TINCOATEDCOPPER
J904	95G 90 23	TINCOATEDCOPPER
J905	95G 90 23	TINCOATEDCOPPER
J906	95G 90 23	TINCOATEDCOPPER
J907	95G 90 23	TINCOATEDCOPPER
J908	95G 90 23	TINCOATEDCOPPER
J909	95G 90 23	TINCOATEDCOPPER
J910	95G 90 23	TINCOATEDCOPPER
R922	61G 17247152T6243	RST CFR 470 0HM +-5% 1/
R822	61G212Y305 KT3876	RST MGFR 3MOHM +-5% 1/2
R832	61G212Y305 KT3876	RST MGFR 3MOHM +-5% 1/2
D901	93G1020 752T	UF4003
IC921	56G 158 10 T	AZ431AZ-AE1 TO-92
C910	65G 1K152 1T6052	1.5nF /1K Y5P+-10%
C920	65G517K102 5T6921	1000PF +-10% 500V Y5P
C921	65G517K102 5T6921	1000PF +-10% 500V Y5P
C911	67G 2152207RT	ELCAP 22UF +-20% 50V 10
F901	84G 55 5	FUSE 2.50A 250V
	34FPE19P03	CASE EEL19
	34FPE19P03	CASE EEL19
Q901	57G 667 21	STP10NK70ZFP
HS4 Q90	90G6264 1	HEAT SINK
	M1G1730 8128 CR3	SCREW
D920	93G 60245	SP10150
	M1G1030 8128 CR3	WCREW M3X8
HS3 D92	H90G0001 1	heat sink
R909	61G152M10458F6W56	RST MOFR 100KOHM +-5% 2
	96G 29 6	SHRINK TUBE UL/CSA
HS6	H85G0002 1	SHIELD
	33G4858APM L	POWER BUTTON
	33G4859 1 C	LENS
	33G6403APM L	CONTROL BUTTON
	34G1567APC B	BEZEL
	34G1566 EY B 20	BASE
	34G1625 EY B	STAND

	37G 513 5	HINGE
	Q1G 130 6120	SCREW (T3X6)
	Q1G 140 8128 CR3	SCREW
	87G 501 14 RF	AC SOCKET
	95G 900 43	WIRE HARNSS
	95G8021 5 4	WIRE HARNESS
	96G 29 6	SHRINK TUBE UL/CSA

12. Different Parts List

Diversity of T76GM9DKAKHPNE Compared with T76CM9DKAKHPNE		
Location	Part No.	Description
	CBPC6GM9HPH2	MAIN BOARD FOR 17
	PWPC742GH2H	POWER BOARD
	40G 58162435A	MANUAL LABEL
	M1G3030 5 47 CR3	SCREW
	750GLG70E3L22Z000H	PANEL LM170E03-TLL2 LPL
	H15G8162 A 2	MAIN FRAME
	Q45G 76 28 H R	PE BAG FOR MANUAL
D406	93G 39147SEM	ZMM5V6ST
D408	93G 39147SEM	ZMM5V6ST
D409	93G 39147SEM	ZMM5V6ST
D410	93G 39147SEM	ZMM5V6ST
D411	93G 39147SEM	ZMM5V6ST
D412	93G 39147SEM	ZMM5V6ST
D425	93G 39147SEM	ZMM5V6ST
R841	61G0805221	RST CHIPR 220 OHM +-5%
R817	61G0805330 2F6857	RST CHIPR 33KOHM +-1% 1
R826	61G0805911	RST CHIPR 910 OHM +-5%
C810	65G080556131G	560PF NPO 2%
HS4 Q90	H90G0001 1	heat sink

Diversity of T76GM9DPAKHPNE Compared with T76CM9DKAKHPNE		
Location	Part No.	Description
	CBPC6GM9HPH2	MAIN BOARD FOR 17
	PWPC742GH2H	POWER BOARD
	40G 58162435A	MANUAL LABEL
	M1G3030 5 47 CR3	SCREW
	750GLG70E3L22Z000H	PANEL LM170E03-TLL2 LPL
	H15G8162 A 2	MAIN FRAME
	Q45G 76 28 H R	PE BAG FOR MANUAL
D406	93G 39147SEM	ZMM5V6ST
D408	93G 39147SEM	ZMM5V6ST
D409	93G 39147SEM	ZMM5V6ST
D410	93G 39147SEM	ZMM5V6ST
D411	93G 39147SEM	ZMM5V6ST
D412	93G 39147SEM	ZMM5V6ST
D425	93G 39147SEM	ZMM5V6ST
R841	61G0805221	RST CHIPR 220 OHM +-5%

R817	61G0805330 2F6857	RST CHIPR 33KOHM +-1% 1
R826	61G0805911	RST CHIPR 910 OHM +-5%
C810	65G080556131G	560PF NPO 2%
HS4 Q90	H90G0001 1	heat sink

Diversity of T76SM9DKAKHPNE Compared with T76CM9DKAKHPNE		
Location	Part No.	Description
	CBPC6SM9HPH2	MAIN BOARD FOR 17
	PWPC742SH2H	POWER BOARD
	40G 58162435A	MANUAL LABEL
	750GLS70U3132Z000H	PANEL LTM170EU-L31 0ST
	H15G8162 A 1	MAIN FRAME
	H40G 581690 8A	TCO'03 LABEL
	H44G 99 1006	EVA WASHER
	H52G6025 16 24	INSULATE SHEET
	Q45G 76 28 H R	PE BAG FOR MANUAL
CN701	33G3802 6 6176	WAFER
D406	93G 39147SEM	ZMM5V6ST
D408	93G 39147SEM	ZMM5V6ST
D409	93G 39147SEM	ZMM5V6ST
D410	93G 39147SEM	ZMM5V6ST
D411	93G 39147SEM	ZMM5V6ST
D412	93G 39147SEM	ZMM5V6ST
D425	93G 39147SEM	ZMM5V6ST
PT801	80GL17T 36 DN	XFMR FOR POWER DARFON
PT802	80GL17T 36 DN	XFMR FOR POWER DARFON
R826	61G0805150 1F	RST CHIPR 1.5KOHM +-1%
R841	61G0805221	RST CHIPR 220 OHM +-5%
R817	61G0805330 2F6857	RST CHIPR 33KOHM +-1% 1
C810	65G080556131G	560PF NPO 2%
HS4 Q90	H90G0001 1	heat sink
	34G1566 EY B 33	BASE
	Q1G 140 10120	SCREW

Diversity of T76CM9DPAKHPNE Compared with T76CM9DKAKHPNE		
Location	Part No.	Description
	40G 58162435A	MANUAL LABEL
	H40G 581690 8A	TCO'03 LABEL
	H44G 99 1006	EVA WASHER
	H52G6025 16 24	INSULATE SHEET

	Q45G 76 28 H R	PE BAG FOR MANUAL
CN701	33G3802 6 6176	WAFER
D406	93G 39147SEM	ZMM5V6ST
D408	93G 39147SEM	ZMM5V6ST
D409	93G 39147SEM	ZMM5V6ST
D410	93G 39147SEM	ZMM5V6ST
D411	93G 39147SEM	ZMM5V6ST
D412	93G 39147SEM	ZMM5V6ST
D425	93G 39147SEM	ZMM5V6ST
T901	S80GL17T33V	TRANSFORMER
PT801	80GL17T 36 DN	XFMR FOR POWER DARFON
PT802	80GL17T 36 DN	XFMR FOR POWER DARFON
R841	61G0805221	RST CHIPR 220 OHM +-5%
R817	61G0805330 2F6857	RST CHIPR 33KOHM +-1% 1
R826	61G0805911	RST CHIPR 910 OHM +-5%
C810	65G080556131G	560PF NPO 2%
HS4 Q90	H90G0001 1	heat sink
	34G1566 EY B 33	BASE
	Q1G 140 10120	SCREW

Diversity of T76GM9DBAKHFNNE Compared with T76CM9DKAKHPNE		
Location	Part No.	Description
	CBPC6GM9HPH2	MAIN BOARD FOR 17
	PWPC742GH2H	POWER BOARD
	40G 58162435A	MANUAL LABEL
	41G780069096C	QSG
E089B	89G 728HAAE02	SIGNAL CABLE
E089A	89G404A19N IS	POWER CORD
	95G8014 8E01	WIRE HARNESS
	M1G1730 6120	SCREW
	M1G1730 6120	SCREW
	M1G1740 6120	SCREW
	M1G3030 5 47 CR3	SCREW
	Q1G 330 8120	SCREW 3X8mm
	750GLG70E3L22Z000H	PANEL LM170E03-TLL2 LPL
	H15G8162 A 2	MAIN FRAME
	H40G 581690 8A	TCO'03 LABEL
	H41G160069034E	DOC KIT FOR EMEA(391904
	H44G 99 1006	EVA WASHER
	H52G6025 16 31	INSULATE SHEET

	Q41G7800690B36	RTF CARD(407430-004)
	Q45G 76 28 H R	PE BAG FOR MANUAL
CN701	33G3802 6 6176	WAFER
CN402	33G3802 8B YH W	WAFER 8P RIGHT ANGLE PI
C403	67G 3151007KV	ELCAP 10UF +-20% 50V 10
C408	67G 3151007KV	ELCAP 10UF +-20% 50V 10
C418	67G 3151007KV	ELCAP 10UF +-20% 50V 10
C450	67G 3151007KV	ELCAP 10UF +-20% 50V 10
C453	67G 3151007KV	ELCAP 10UF +-20% 50V 10
C717	67G 3151007KV	ELCAP 10UF +-20% 50V 10
C710	67G 3154704KV	ELCAP 47UF +-20% 25V 10
C712	67G 3154704KV	ELCAP 47UF +-20% 25V 10
C720	67G 3154704KV	ELCAP 47UF +-20% 25V 10
C723	67G 3154704KV	ELCAP 47UF +-20% 25V 10
CN405	88G 35315F HJ	SOC SUBD H 15P F
X401	93G 22 53 J	14.31818MHZ/32PF/49US
C425	65G0603224 126785	CHIP 0.22UF 50V X7R
C432	65G0603473 326785	CHIP 0.047UF 50V X7R
C433	65G0603473 326785	CHIP 0.047UF 50V X7R
C434	65G0603473 326785	CHIP 0.047UF 50V X7R
C436	65G0603473 326785	CHIP 0.047UF 50V X7R
C437	65G0603473 326785	CHIP 0.047UF 50V X7R
C438	65G0603473 326785	CHIP 0.047UF 50V X7R
D406	93G 39147SEM	ZMM5V6ST
D408	93G 39147SEM	ZMM5V6ST
D409	93G 39147SEM	ZMM5V6ST
D410	93G 39147SEM	ZMM5V6ST
D411	93G 39147SEM	ZMM5V6ST
D412	93G 39147SEM	ZMM5V6ST
D425	93G 39147SEM	ZMM5V6ST
	715G2433 2 6905	MAIN BOARD PCB
DP1	81G 12 1F GP	LED
C909	63G107K474 US	0.47UF +-10%
C817	65G 3J3096ET	3PF,J,3KV,Z5P
C826	65G 3J3096ET	3PF,J,3KV,Z5P
C816	65G 6J1206ET H	12PF 5% SL 6KV TDK
C825	65G 6J1206ET H	12PF 5% SL 6KV TDK
C811	67G215D4714KV	ELCAP 470UF +-20% 25V 1
C820	67G215D4714KV	ELCAP 470UF +-20% 25V 1
C925	67G215D4714KV	ELCAP 470UF +-20% 25V 1

C922	67G215D6814KV	ELCAP 105°C 680UF M 25V
C923	67G215D6814KV	ELCAP 105°C 680UF M 25V
C924	67G215D6814KV	ELCAP 105°C 680UF M 25V
C926	67G215S1023KV	ELCAP 1000UF +-20% 16V
C927	67G215S4713KV	ELCAP 470UF +-20% 16V 1
C932	67G215S4713KV	ELCAP 470UF +-20% 16V 1
C907	67G315Z12115K	ELCAP 120UF +-20% 450V
R841	61G0805221	RST CHIPR 220 OHM +-5%
R817	61G0805330 2F6857	RST CHIPR 33KOHM +-1% 1
R826	61G0805911	RST CHIPR 910 OHM +-5%
C812	65G0805152 326029	CAP 0805 1500PF K 50VX7
C813	65G0805152 326029	CAP 0805 1500PF K 50VX7
C822	65G0805152 326029	CAP 0805 1500PF K 50VX7
C823	65G0805152 326029	CAP 0805 1500PF K 50VX7
C830	65G0805470 316029	CAP 0805 47PF J 50V C0G
C832	65G0805470 316029	CAP 0805 47PF J 50V C0G
C810	65G080556131G	560PF NPO 2%
D910	93G 64S511SEM	IN4148W
D915	93G 64S511SEM	IN4148W
D916	93G 64S511SEM	IN4148W
R822	61G212Y305 KT	RST MGFR 3MOHM +-5% 1/2
R832	61G212Y305 KT	RST MGFR 3MOHM +-5% 1/2
C910	65G 1K152 1T6921	1.5nF/1K Y5P +-10%
	M1G1730 8120	SCREW
HS4 Q90	H90G0001 1	heat sink
	M1G1730 8120	SCREW
	34G1566 EY B 33	BASE
	Q1G 140 10120	SCREW

Diversity of T76SM9DBAKHFNE Compared with T76CM9DKAKHPNE		
Location	Part No.	Description
	CBPC6SM9HPH2	MAIN BOARD FOR 17
	PWPC742SH2H	POWER BOARD
	40G 58162435A	MANUAL LABEL
	41G780069096C	QSG
E089B	89G 728HAAE02	SIGNAL CABLE
E089A	89G404A19N IS	POWER CORD
	95G8014 8E01	WIRE HARNESS
	M1G1730 6120	SCREW
	M1G1730 6120	SCREW

	M1G1740 6120	SCREW
	Q1G 330 8120	SCREW 3X8mm
	750GLS70U3132Z000H	PANEL LTM170EU-L31 0ST
	H40G 581690 8A	TCO'03 LABEL
	H41G160069034E	DOC KIT FOR EMEA(391904
	H44G 99 1006	EVA WASHER
	H52G6025 16 31	INSULATE SHEET
	Q41G7800690B36	RTF CARD(407430-004)
	Q45G 76 28 H R	PE BAG FOR MANUAL
CN701	33G3802 6 6176	WAFER
CN402	33G3802 8B YH W	WAFER 8P RIGHT ANGLE PI
C403	67G 3151007KV	ELCAP 10UF +-20% 50V 10
C408	67G 3151007KV	ELCAP 10UF +-20% 50V 10
C418	67G 3151007KV	ELCAP 10UF +-20% 50V 10
C450	67G 3151007KV	ELCAP 10UF +-20% 50V 10
C453	67G 3151007KV	ELCAP 10UF +-20% 50V 10
C717	67G 3151007KV	ELCAP 10UF +-20% 50V 10
C710	67G 3154704KV	ELCAP 47UF +-20% 25V 10
C712	67G 3154704KV	ELCAP 47UF +-20% 25V 10
C720	67G 3154704KV	ELCAP 47UF +-20% 25V 10
C723	67G 3154704KV	ELCAP 47UF +-20% 25V 10
CN405	88G 35315F HJ	SOC SUBD H 15P F
X401	93G 22 53 J	14.31818MHZ/32PF/49US
C425	65G0603224 126785	CHIP 0.22UF 50V X7R
C432	65G0603473 326785	CHIP 0.047UF 50V X7R
C433	65G0603473 326785	CHIP 0.047UF 50V X7R
C434	65G0603473 326785	CHIP 0.047UF 50V X7R
C436	65G0603473 326785	CHIP 0.047UF 50V X7R
C437	65G0603473 326785	CHIP 0.047UF 50V X7R
C438	65G0603473 326785	CHIP 0.047UF 50V X7R
D406	93G 39147SEM	ZMM5V6ST
D408	93G 39147SEM	ZMM5V6ST
D409	93G 39147SEM	ZMM5V6ST
D410	93G 39147SEM	ZMM5V6ST
D411	93G 39147SEM	ZMM5V6ST
D412	93G 39147SEM	ZMM5V6ST
D425	93G 39147SEM	ZMM5V6ST
	715G2433 2 6905	MAIN BOARD PCB
DP1	81G 12 1F GP	LED
C909	63G107K474 US	0.47UF +-10%

C817	65G 3J3096ET	3PF,J,3KV,Z5P
C826	65G 3J3096ET	3PF,J,3KV,Z5P
C816	65G 6J1206ET H	12PF 5% SL 6KV TDK
C825	65G 6J1206ET H	12PF 5% SL 6KV TDK
C811	67G215D4714KV	ELCAP 470UF +-20% 25V 1
C820	67G215D4714KV	ELCAP 470UF +-20% 25V 1
C925	67G215D4714KV	ELCAP 470UF +-20% 25V 1
C922	67G215D6814KV	ELCAP 105°C 680UF M 25V
C923	67G215D6814KV	ELCAP 105°C 680UF M 25V
C924	67G215D6814KV	ELCAP 105°C 680UF M 25V
C926	67G215S1023KV	ELCAP 1000UF +-20% 16V
C927	67G215S4713KV	ELCAP 470UF +-20% 16V 1
C932	67G215S4713KV	ELCAP 470UF +-20% 16V 1
C907	67G315Z12115K	ELCAP 120UF +-20% 450V
PT801	80GL17T 36 DN	XFMR FOR POWER DARFON
PT802	80GL17T 36 DN	XFMR FOR POWER DARFON
R826	61G0805150 1F	RST CHIPR 1.5KOHM +-1%
R841	61G0805221	RST CHIPR 220 OHM +-5%
R817	61G0805330 2F6857	RST CHIPR 33KOHM +-1% 1
C812	65G0805152 326029	CAP 0805 1500PF K 50VX7
C813	65G0805152 326029	CAP 0805 1500PF K 50VX7
C822	65G0805152 326029	CAP 0805 1500PF K 50VX7
C823	65G0805152 326029	CAP 0805 1500PF K 50VX7
C830	65G0805470 316029	CAP 0805 47PF J 50V C0G
C832	65G0805470 316029	CAP 0805 47PF J 50V C0G
C810	65G080556131G	560PF NPO 2%
D910	93G 64S511SEM	IN4148W
D915	93G 64S511SEM	IN4148W
D916	93G 64S511SEM	IN4148W
R822	61G212Y305 KT	RST MGFR 3MOHM +-5% 1/2
R832	61G212Y305 KT	RST MGFR 3MOHM +-5% 1/2
C910	65G 1K152 1T6921	1.5nF/1K Y5P +-10%
	M1G1730 8120	SCREW
HS4 Q90	H90G0001 1	heat sink
	M1G1730 8120	SCREW
	34G1566 EY B 33	BASE
	Q1G 140 10120	SCREW

Diversity of T76SM9DBAKHFNNE Compared with T76CM9DKAKHPNE		
Location	Part No.	Description
	CBPC6SM9HPH2	MAIN BOARD FOR 17
	PWPC742SH2H	POWER BOARD
	40G 58162435A	MANUAL LABEL
	41G780069096C	QSG
E089B	89G 728HAAE02	SIGNAL CABLE
E089A	89G423A19N IS	POWER CORD
	95G8014 8E01	WIRE HARNESS
	D1G1730 8120	SCREW
	D1G1730 8120	SCREW
	M1G1740 6120	SCREW
	Q1G 330 8120	SCREW 3X8mm
	750GLS70UJ3132Z000H	PANEL LTM170EU-L31 0ST
	H40G 581690 8A	TCO'03 LABEL
	H41G160069034E	DOC KIT FOR EMEA(391904
	H44G 99 1006	EVA WASHER
	H52G6025 16 31	INSULATE SHEET
	Q41G7800690B36	RTF CARD(407430-004)
	Q45G 76 28 H R	PE BAG FOR MANUAL
CN701	33G3802 6 6176	WAFER
CN402	33G3802 8B YH W	WAFER 8P RIGHT ANGLE PI
C403	67G 3151007KV	ELCAP 10UF +-20% 50V 10
C408	67G 3151007KV	ELCAP 10UF +-20% 50V 10
C418	67G 3151007KV	ELCAP 10UF +-20% 50V 10
C450	67G 3151007KV	ELCAP 10UF +-20% 50V 10
C453	67G 3151007KV	ELCAP 10UF +-20% 50V 10
C717	67G 3151007KV	ELCAP 10UF +-20% 50V 10
C710	67G 3154704KV	ELCAP 47UF +-20% 25V 10
C712	67G 3154704KV	ELCAP 47UF +-20% 25V 10
C720	67G 3154704KV	ELCAP 47UF +-20% 25V 10
C723	67G 3154704KV	ELCAP 47UF +-20% 25V 10
CN405	88G 35315F HJ	SOC SUBD H 15P F
X401	93G 22 53 J	14.31818MHZ/32PF/49US
C425	65G0603224 126785	CHIP 0.22UF 50V X7R
C432	65G0603473 326785	CHIP 0.047UF 50V X7R
C433	65G0603473 326785	CHIP 0.047UF 50V X7R
C434	65G0603473 326785	CHIP 0.047UF 50V X7R
C436	65G0603473 326785	CHIP 0.047UF 50V X7R
C437	65G0603473 326785	CHIP 0.047UF 50V X7R

C438	65G0603473 326785	CHIP 0.047UF 50V X7R
D406	93G 39147SEM	ZMM5V6ST
D408	93G 39147SEM	ZMM5V6ST
D409	93G 39147SEM	ZMM5V6ST
D410	93G 39147SEM	ZMM5V6ST
D411	93G 39147SEM	ZMM5V6ST
D412	93G 39147SEM	ZMM5V6ST
D425	93G 39147SEM	ZMM5V6ST
	715G2433 2 6905	MAIN BOARD PCB
DP1	81G 12 1F GP	LED
C909	63G107K474 US	0.47UF +-10%
C817	65G 3J3096ET	3PF,J,3KV,Z5P
C826	65G 3J3096ET	3PF,J,3KV,Z5P
C816	65G 6J1206ET H	12PF 5% SL 6KV TDK
C825	65G 6J1206ET H	12PF 5% SL 6KV TDK
C811	67G215D4714KV	ELCAP 470UF +-20% 25V 1
C820	67G215D4714KV	ELCAP 470UF +-20% 25V 1
C925	67G215D4714KV	ELCAP 470UF +-20% 25V 1
C922	67G215D6814KV	ELCAP 105°C 680UF M 25V
C923	67G215D6814KV	ELCAP 105°C 680UF M 25V
C924	67G215D6814KV	ELCAP 105°C 680UF M 25V
C926	67G215S1023KV	ELCAP 1000UF +-20% 16V
C927	67G215S4713KV	ELCAP 470UF +-20% 16V 1
C932	67G215S4713KV	ELCAP 470UF +-20% 16V 1
C907	67G315Z12115K	ELCAP 120UF +-20% 450V
PT801	80GL17T 36 DN	XFMR FOR POWER DARFON
PT802	80GL17T 36 DN	XFMR FOR POWER DARFON
R826	61G0805150 1F	RST CHIPR 1.5KOHM +-1%
R841	61G0805221	RST CHIPR 220 OHM +-5%
R817	61G0805330 2F6857	RST CHIPR 33KOHM +-1% 1
C812	65G0805152 326029	CAP 0805 1500PF K 50VX7
C813	65G0805152 326029	CAP 0805 1500PF K 50VX7
C822	65G0805152 326029	CAP 0805 1500PF K 50VX7
C823	65G0805152 326029	CAP 0805 1500PF K 50VX7
C830	65G0805470 316029	CAP 0805 47PF J 50V C0G
C832	65G0805470 316029	CAP 0805 47PF J 50V C0G
C810	65G080556131G	560PF NPO 2%
D910	93G 64S511SEM	IN4148W
D915	93G 64S511SEM	IN4148W
D916	93G 64S511SEM	IN4148W

	715G1823 2 CN HP	POWER BOARD PCB
R822	61G212Y305 KT	RST MGFR 3MOHM +-5% 1/2
R832	61G212Y305 KT	RST MGFR 3MOHM +-5% 1/2
C910	65G 1K152 1T6921	1.5nF/1K Y5P +-10%
	M1G1730 8120	SCREW
HS4 Q90	H90G0001 1	heat sink
	M1G1730 8120	SCREW
	34G1566 EY B 33	BASE
	Q1G 140 10120	SCREW
	95G8021 5E01	WIRE HARNESS

Diversity of T76CM9DBAKHFNE Compared with T76CM9DKAKHPNE		
Location	Part No.	Description
	715G2433 2 6905	MAIN BOARD PCB
	40G 58162435A	MANUAL LABEL
	41G780069096C	QSG
E089B	89G 728HAAE02	SIGNAL CABLE
E089A	89G404A19N IS	POWER CORD
	95G8014 8E01	WIRE HARNESS
	D1G1730 8120	SCREW
	D1G1730 8120	SCREW
	M1G1740 6120	SCREW
	Q1G 330 8120	SCREW 3X8mm
	H40G 581690 8A	TCO'03 LABEL
	H41G160069034E	DOC KIT FOR EMEA(391904)
	H44G 99 1006	EVA WASHER
	H52G6025 16 31	INSULATE SHEET
	Q41G7800690B36	RTF CARD(407430-004)
	Q45G 76 28 H R	PE BAG FOR MANUAL
CN701	33G3802 6 6176	WAFER
CN402	33G3802 8B YH W	WAFER 8P RIGHT ANGLE PI
C403	67G 3151007KV	ELCAP 10UF +-20% 50V 10
C408	67G 3151007KV	ELCAP 10UF +-20% 50V 10
C418	67G 3151007KV	ELCAP 10UF +-20% 50V 10
C450	67G 3151007KV	ELCAP 10UF +-20% 50V 10
C453	67G 3151007KV	ELCAP 10UF +-20% 50V 10
C717	67G 3151007KV	ELCAP 10UF +-20% 50V 10
C710	67G 3154704KV	ELCAP 47UF +-20% 25V 10
C712	67G 3154704KV	ELCAP 47UF +-20% 25V 10
C720	67G 3154704KV	ELCAP 47UF +-20% 25V 10

C723	67G 3154704KV	ELCAP 47UF +-20% 25V 10
CN405	88G 35315F HJ	SOC SUBD H 15P F
X401	93G 22 53 J	14.31818MHZ/32PF/49US
C425	65G0603224 126785	CHIP 0.22UF 50V X7R
C432	65G0603473 326785	CHIP 0.047UF 50V X7R
C433	65G0603473 326785	CHIP 0.047UF 50V X7R
C434	65G0603473 326785	CHIP 0.047UF 50V X7R
C436	65G0603473 326785	CHIP 0.047UF 50V X7R
C437	65G0603473 326785	CHIP 0.047UF 50V X7R
C438	65G0603473 326785	CHIP 0.047UF 50V X7R
D406	93G 39147SEM	ZMM5V6ST
D408	93G 39147SEM	ZMM5V6ST
D409	93G 39147SEM	ZMM5V6ST
D410	93G 39147SEM	ZMM5V6ST
D411	93G 39147SEM	ZMM5V6ST
D412	93G 39147SEM	ZMM5V6ST
D425	93G 39147SEM	ZMM5V6ST
DP1	81G 12 1F GP	LED
C909	63G107K474 US	0.47UF +-10%
C817	65G 3J3096ET	3PF,J,3KV,Z5P
C826	65G 3J3096ET	3PF,J,3KV,Z5P
C816	65G 6J1206ET H	12PF 5% SL 6KV TDK
C825	65G 6J1206ET H	12PF 5% SL 6KV TDK
C811	67G215D4714KV	ELCAP 470UF +-20% 25V 1
C820	67G215D4714KV	ELCAP 470UF +-20% 25V 1
C925	67G215D4714KV	ELCAP 470UF +-20% 25V 1
C922	67G215D6814KV	ELCAP 105°C 680UF M 25V
C923	67G215D6814KV	ELCAP 105°C 680UF M 25V
C924	67G215D6814KV	ELCAP 105°C 680UF M 25V
C926	67G215S1023KV	ELCAP 1000UF +-20% 16V
C927	67G215S4713KV	ELCAP 470UF +-20% 16V 1
C932	67G215S4713KV	ELCAP 470UF +-20% 16V 1
C907	67G315Z12115K	ELCAP 120UF +-20% 450V
PT801	80GL17T 36 DN	XFMR FOR POWER DARFON
PT802	80GL17T 36 DN	XFMR FOR POWER DARFON
R841	61G0805221	RST CHIPR 220 OHM +-5%
R817	61G0805330 2F6857	RST CHIPR 33KOHM +-1% 1
R826	61G0805911	RST CHIPR 910 OHM +-5%
C812	65G0805152 326029	CAP 0805 1500PF K 50VX7
C813	65G0805152 326029	CAP 0805 1500PF K 50VX7

C822	65G0805152 326029	CAP 0805 1500PF K 50VX7
C823	65G0805152 326029	CAP 0805 1500PF K 50VX7
C830	65G0805470 316029	CAP 0805 47PF J 50V C0G
C832	65G0805470 316029	CAP 0805 47PF J 50V C0G
C810	65G080556131G	560PF NPO 2%
D910	93G 64S511SEM	IN4148W
D915	93G 64S511SEM	IN4148W
D916	93G 64S511SEM	IN4148W
	715G1823 2 CN HP	POWER BOARD PCB
R822	61G212Y305 KT	RST MGFR 3MOHM +-5% 1/2
R832	61G212Y305 KT	RST MGFR 3MOHM +-5% 1/2
C910	65G 1K152 1T6921	1.5nF/1K Y5P +-10%
	M1G1730 8120	SCREW
HS4 Q90	H90G0001 1	heat sink
	M1G1730 8120	SCREW
	34G1566 EY B 33	BASE
	Q1G 140 10120	SCREW
	95G8021 5E01	WIRE HARNESS

Diversity of T76GM9DNAKHANNE Compared with T76CM9DKAKHPNE		
Location	Part No.	Description
	CBPC6GM9HPH2	MAIN BOARD
	PWPC742GH2H	POWER BOARD
	40G 58162435A	MANUAL LABEL
	41G780069096C	QSG
E089B	89G 728HAAE02	SIGNAL CABLE
E089A	89G410A19NISH	POWER CORD
	95G8014 8E01	WIRE HARNESS
	D1G1730 8120	SCREW
	D1G1730 8120	SCREW
	M1G1740 6120	SCREW
	M1G3030 5 47 CR3	SCREW
	Q1G 330 8120	SCREW 3X8mm
	750GLG70E3L22Z000H	PANEL LM170E03-TLL2 LPL
	H15G8162 A 2	MAIN FRAME
	H40G 581690 8A	TCO'03 LABEL
	H41G160069034E	DOC KIT FOR EMEA(391904
	H44G 99 1006	EVA WASHER
	H52G6025 16 31	INSULATE SHEET
	Q41G7800690B36	RTF CARD(407430-004)

	Q45G 76 28 H R	PE BAG FOR MANUAL
CN701	33G3802 6 6176	WAFER
CN402	33G3802 8B YH W	WAFER 8P RIGHT ANGLE PI
C403	67G 3151007KV	ELCAP 10UF +-20% 50V 10
C408	67G 3151007KV	ELCAP 10UF +-20% 50V 10
C418	67G 3151007KV	ELCAP 10UF +-20% 50V 10
C450	67G 3151007KV	ELCAP 10UF +-20% 50V 10
C453	67G 3151007KV	ELCAP 10UF +-20% 50V 10
C717	67G 3151007KV	ELCAP 10UF +-20% 50V 10
C710	67G 3154704KV	ELCAP 47UF +-20% 25V 10
C712	67G 3154704KV	ELCAP 47UF +-20% 25V 10
C720	67G 3154704KV	ELCAP 47UF +-20% 25V 10
C723	67G 3154704KV	ELCAP 47UF +-20% 25V 10
CN405	88G 35315F HJ	SOC SUBD H 15P F
X401	93G 22 53 J	14.31818MHZ/32PF/49US
C425	65G0603224 126785	CHIP 0.22UF 50V X7R
C432	65G0603473 326785	CHIP 0.047UF 50V X7R
C433	65G0603473 326785	CHIP 0.047UF 50V X7R
C434	65G0603473 326785	CHIP 0.047UF 50V X7R
C436	65G0603473 326785	CHIP 0.047UF 50V X7R
C437	65G0603473 326785	CHIP 0.047UF 50V X7R
C438	65G0603473 326785	CHIP 0.047UF 50V X7R
D406	93G 39147SEM	ZMM5V6ST
D408	93G 39147SEM	ZMM5V6ST
D409	93G 39147SEM	ZMM5V6ST
D410	93G 39147SEM	ZMM5V6ST
D411	93G 39147SEM	ZMM5V6ST
D412	93G 39147SEM	ZMM5V6ST
D425	93G 39147SEM	ZMM5V6ST
	715G2433 2 6905	MAIN BOARD PCB
DP1	81G 12 1F GP	LED
R916	61G152M43864L6W56	RST MOFR 0.43 OHM +-5%
C909	63G107K474 US	0.47UF +-10%
C817	65G 3J3096ET	3PF,J,3KV,Z5P
C826	65G 3J3096ET	3PF,J,3KV,Z5P
C816	65G 6J1206ET H	12PF 5% SL 6KV TDK
C825	65G 6J1206ET H	12PF 5% SL 6KV TDK
C811	67G215D4714KV	ELCAP 470UF +-20% 25V 1
C820	67G215D4714KV	ELCAP 470UF +-20% 25V 1
C925	67G215D4714KV	ELCAP 470UF +-20% 25V 1

C922	67G215D6814KV	ELCAP 105°C 680UF M 25V
C923	67G215D6814KV	ELCAP 105°C 680UF M 25V
C924	67G215D6814KV	ELCAP 105°C 680UF M 25V
C926	67G215S1023KV	ELCAP 1000UF +-20% 16V
C927	67G215S4713KV	ELCAP 470UF +-20% 16V 1
C932	67G215S4713KV	ELCAP 470UF +-20% 16V 1
C907	67G315Z12115K	ELCAP 120UF +-20% 450V
D900	93G1100 1152T	DIODE PR1007R 1A/1000V
R841	61G0805221	RST CHIPR 220 OHM +-5%
R817	61G0805330 2F6857	RST CHIPR 33KOHM +-1% 1
R826	61G0805911	RST CHIPR 910 OHM +-5%
C812	65G0805152 326029	CAP 0805 1500PF K 50VX7
C813	65G0805152 326029	CAP 0805 1500PF K 50VX7
C822	65G0805152 326029	CAP 0805 1500PF K 50VX7
C823	65G0805152 326029	CAP 0805 1500PF K 50VX7
C830	65G0805470 316029	CAP 0805 47PF J 50V C0G
C832	65G0805470 316029	CAP 0805 47PF J 50V C0G
C810	65G080556131G	560PF NPO 2%
D910	93G 64S511SEM	IN4148W
D915	93G 64S511SEM	IN4148W
D916	93G 64S511SEM	IN4148W
Q900	6G 31502	1.5MM RIVET
	715G1823 2 CN HP	POWER BOARD PCB
R822	61G212Y305 KT	RST MGFR 3MOHM +-5% 1/2
R832	61G212Y305 KT	RST MGFR 3MOHM +-5% 1/2
D901	93G 6038T52T	FR103
C910	65G 1K152 1T6921	1.5nF/1K Y5P +-10%
Q900	57G 667 21	STP10NK70ZFP
	M1G1730 8120	SCREW
HS4 Q90	H90G0001 1	heat sink
	M1G1730 8120	SCREW
	34G1566 EY B 33	BASE
	Q1G 140 10120	SCREW
	95G8021 5E01	WIRE HARNESS

Diversity of T76SM9DKAKHPN1E Compared with T76CM9DKAKHPNE

Location	Part No.	Description
	CBPC6SM9HPH2	MAIN BOARD
	PWPC742SH2H	POWER BOARD
	40G 58162435A	MANUAL LABEL

	95G8014 8E01	WIRE HARNESS
	D1G1730 8120	SCREW
	D1G1730 8120	SCREW
	M1G1740 6120	SCREW
	Q1G 330 8120	SCREW 3X8mm
	750GLS70U315CN	PANEL LTM170EU-L31 8TM
	H40G 581690 8A	TCO'03 LABEL
	H41G160069033F	DOC KIT FOR NA(391904-D
	H44G 99 1006	EVA WASHER
	H52G6025 16 31	INSULATE SHEET
	Q41G7800690B36	RTF CARD(407430-004)
	Q45G 76 28 H R	PE BAG FOR MANUAL
CN701	33G3802 6 6176	WAFER
CN402	33G3802 8B YH W	WAFER 8P RIGHT ANGLE PI
C403	67G 3151007KV	ELCAP 10UF +-20% 50V 10
C408	67G 3151007KV	ELCAP 10UF +-20% 50V 10
C418	67G 3151007KV	ELCAP 10UF +-20% 50V 10
C450	67G 3151007KV	ELCAP 10UF +-20% 50V 10
C453	67G 3151007KV	ELCAP 10UF +-20% 50V 10
C717	67G 3151007KV	ELCAP 10UF +-20% 50V 10
C710	67G 3154704KV	ELCAP 47UF +-20% 25V 10
C712	67G 3154704KV	ELCAP 47UF +-20% 25V 10
C720	67G 3154704KV	ELCAP 47UF +-20% 25V 10
C723	67G 3154704KV	ELCAP 47UF +-20% 25V 10
CN405	88G 35315F HJ	SOC SUBD H 15P F
X401	93G 22 53 J	14.31818MHZ/32PF/49US
C425	65G0603224 126785	CHIP 0.22UF 50V X7R
C432	65G0603473 326785	CHIP 0.047UF 50V X7R
C433	65G0603473 326785	CHIP 0.047UF 50V X7R
C434	65G0603473 326785	CHIP 0.047UF 50V X7R
C436	65G0603473 326785	CHIP 0.047UF 50V X7R
C437	65G0603473 326785	CHIP 0.047UF 50V X7R
C438	65G0603473 326785	CHIP 0.047UF 50V X7R
D406	93G 39147SEM	ZMM5V6ST
D408	93G 39147SEM	ZMM5V6ST
D409	93G 39147SEM	ZMM5V6ST
D410	93G 39147SEM	ZMM5V6ST
D411	93G 39147SEM	ZMM5V6ST
D412	93G 39147SEM	ZMM5V6ST
D425	93G 39147SEM	ZMM5V6ST

	715G2433 2 6905	MAIN BOARD PCB
DP1	81G 12 1F GP	LED
R916	61G152M43864L6W56	RST MOFR 0.43 OHM +-5%
C909	63G107K474 US	0.47UF +-10%
C817	65G 3J3096ET	3PF,J,3KV,Z5P
C826	65G 3J3096ET	3PF,J,3KV,Z5P
C816	65G 6J1206ET H	12PF 5% SL 6KV TDK
C825	65G 6J1206ET H	12PF 5% SL 6KV TDK
C811	67G215D4714KV	ELCAP 470UF +-20% 25V 1
C820	67G215D4714KV	ELCAP 470UF +-20% 25V 1
C925	67G215D4714KV	ELCAP 470UF +-20% 25V 1
C922	67G215D6814KV	ELCAP 105°C 680UF M 25V
C923	67G215D6814KV	ELCAP 105°C 680UF M 25V
C924	67G215D6814KV	ELCAP 105°C 680UF M 25V
C926	67G215S1023KV	ELCAP 1000UF +-20% 16V
C927	67G215S4713KV	ELCAP 470UF +-20% 16V 1
C932	67G215S4713KV	ELCAP 470UF +-20% 16V 1
C907	67G315Z12115K	ELCAP 120UF +-20% 450V
PT801	80GL17T 36 DN	XFMR FOR POWER DARFON
PT802	80GL17T 36 DN	XFMR FOR POWER DARFON
D900	93G1100 1152T	DIODE PR1007R 1A/1000V
R826	61G0805150 1F	RST CHIPR 1.5KOHM +-1%
R841	61G0805221	RST CHIPR 220 OHM +-5%
R817	61G0805330 2F6857	RST CHIPR 33KOHM +-1% 1
C812	65G0805152 326029	CAP 0805 1500PF K 50VX7
C813	65G0805152 326029	CAP 0805 1500PF K 50VX7
C822	65G0805152 326029	CAP 0805 1500PF K 50VX7
C823	65G0805152 326029	CAP 0805 1500PF K 50VX7
C830	65G0805470 316029	CAP 0805 47PF J 50V C0G
C832	65G0805470 316029	CAP 0805 47PF J 50V C0G
C810	65G080556131G	560PF NPO 2%
D910	93G 64S511SEM	IN4148W
D915	93G 64S511SEM	IN4148W
D916	93G 64S511SEM	IN4148W
Q900	6G 31502	1.5MM RIVET
	715G1823 2 CN HP	POWER BOARD PCB
R822	61G212Y305 KT	RST MGFR 3MOHM +-5% 1/2
R832	61G212Y305 KT	RST MGFR 3MOHM +-5% 1/2
D901	93G 6038T52T	FR103
C910	65G 1K152 1T6921	1.5nF/1K Y5P +-10%

Q900	57G 667 21	STP10NK70ZFP
	M1G1730 8120	SCREW
HS4 Q90	H90G0001 1	heat sink
	M1G1730 8120	SCREW
	34G1566 EY B 33	BASE
	Q1G 140 10120	SCREW
	95G8021 5E01	WIRE HARNESS

Diversity of T76SM9DPAKHPNE Compared with T76CM9DKAKHPNE		
Location	Part No.	Description
	CBPC6SM9HPH2	MAIN BOARD
	PWPC742SH2H	POWER BOARD
	40G 58162435A	MANUAL LABEL
	95G8014 8E01	WIRE HARNESS
	D1G1730 8120	SCREW
	D1G1730 8120	SCREW
	M1G1740 6120	SCREW
	Q1G 330 8120	SCREW 3X8mm
	750GLS70U3132Z000H	PANEL LTM170EU-L31 0ST
	H40G 581690 8A	TCO'03 LABEL
	H41G160069033F	DOC KIT FOR NA(391904-D
	H44G 99 1006	EVA WASHER
	H52G6025 16 31	INSULATE SHEET
	Q41G7800690B36	RTF CARD(407430-004)
	Q45G 76 28 H R	PE BAG FOR MANUAL
	SMTC6SM9HPH2	MAIN BOARD FOR 17" LCD
CN701	33G3802 6 6176	WAFER
CN402	33G3802 8B YH W	WAFER 8P RIGHT ANGLE PI
C403	67G 3151007KV	ELCAP 10UF +-20% 50V 10
C408	67G 3151007KV	ELCAP 10UF +-20% 50V 10
C418	67G 3151007KV	ELCAP 10UF +-20% 50V 10
C450	67G 3151007KV	ELCAP 10UF +-20% 50V 10
C453	67G 3151007KV	ELCAP 10UF +-20% 50V 10
C717	67G 3151007KV	ELCAP 10UF +-20% 50V 10
C710	67G 3154704KV	ELCAP 47UF +-20% 25V 10
C712	67G 3154704KV	ELCAP 47UF +-20% 25V 10
C720	67G 3154704KV	ELCAP 47UF +-20% 25V 10
C723	67G 3154704KV	ELCAP 47UF +-20% 25V 10
CN405	88G 35315F HJ	SOC SUBD H 15P F
X401	93G 22 53 J	14.31818MHZ/32PF/49US

C425	65G0603224 126785	CHIP 0.22UF 50V X7R
C432	65G0603473 326785	CHIP 0.047UF 50V X7R
C433	65G0603473 326785	CHIP 0.047UF 50V X7R
C434	65G0603473 326785	CHIP 0.047UF 50V X7R
C436	65G0603473 326785	CHIP 0.047UF 50V X7R
C437	65G0603473 326785	CHIP 0.047UF 50V X7R
C438	65G0603473 326785	CHIP 0.047UF 50V X7R
D406	93G 39147SEM	ZMM5V6ST
D408	93G 39147SEM	ZMM5V6ST
D409	93G 39147SEM	ZMM5V6ST
D410	93G 39147SEM	ZMM5V6ST
D411	93G 39147SEM	ZMM5V6ST
D412	93G 39147SEM	ZMM5V6ST
D425	93G 39147SEM	ZMM5V6ST
	715G2433 2 6905	MAIN BOARD PCB
	SMTKEPC6HB3	KEY BOARD SMT
DP1	81G 12 1F GP	LED
	PW742SH2SMTH	POWER BOARD FOR SMT
R916	61G152M43864L6W56	RST MOFR 0.43 OHM +-5%
C909	63G107K474 US	0.47UF +-10%
C817	65G 3J3096ET	3PF,J,3KV,Z5P
C826	65G 3J3096ET	3PF,J,3KV,Z5P
C816	65G 6J1206ET H	12PF 5% SL 6KV TDK
C825	65G 6J1206ET H	12PF 5% SL 6KV TDK
C811	67G215D4714KV	ELCAP 470UF +-20% 25V 1
C820	67G215D4714KV	ELCAP 470UF +-20% 25V 1
C925	67G215D4714KV	ELCAP 470UF +-20% 25V 1
C922	67G215D6814KV	ELCAP 105°C 680UF M 25V
C923	67G215D6814KV	ELCAP 105°C 680UF M 25V
C924	67G215D6814KV	ELCAP 105°C 680UF M 25V
C926	67G215S1023KV	ELCAP 1000UF +-20% 16V
C927	67G215S4713KV	ELCAP 470UF +-20% 16V 1
C932	67G215S4713KV	ELCAP 470UF +-20% 16V 1
C907	67G315Z12115K	ELCAP 120UF +-20% 450V
PT801	80GL17T 36 DN	XFMR FOR POWER DARFON
PT802	80GL17T 36 DN	XFMR FOR POWER DARFON
D900	93G1100 1152T	DIODE PR1007R 1A/1000V
	PW742CH2AIH	POWER BOARD FOR AI
R826	61G0805150 1F	RST CHIPR 1.5KOHM +-1%
R841	61G0805221	RST CHIPR 220 OHM +-5%

R817	61G0805330 2F6857	RST CHIPR 33KOHM +-1% 1
C812	65G0805152 326029	CAP 0805 1500PF K 50VX7
C813	65G0805152 326029	CAP 0805 1500PF K 50VX7
C822	65G0805152 326029	CAP 0805 1500PF K 50VX7
C823	65G0805152 326029	CAP 0805 1500PF K 50VX7
C830	65G0805470 316029	CAP 0805 47PF J 50V C0G
C832	65G0805470 316029	CAP 0805 47PF J 50V C0G
C810	65G080556131G	560PF NPO 2%
D910	93G 64S511SEM	IN4148W
D915	93G 64S511SEM	IN4148W
D916	93G 64S511SEM	IN4148W
Q900	6G 31502	1.5MM RIVET
	715G1823 2 CN HP	PWPC
R822	61G212Y305 KT	RST MGFR 3MOHM +-5% 1/2
R832	61G212Y305 KT	RST MGFR 3MOHM +-5% 1/2
D901	93G 6038T52T	FR103
C910	65G 1K152 1T6921	1.5nF/1K Y5P +-10%
Q900	57G 667 21	STP10NK70ZFP
	M1G1730 8120	SCREW
HS4 Q9	0 H90G0001 1	heat sink
	M1G1730 8120	SCREW
	34G1566 EY B 33	BASE
	Q1G 140 10120	SCREW
	95G8021 5E01	WIRE HARNESS