

KEY FEATURES

- **SMPTE 259M-C compliant scrambling and NRZ → NRZI encoding (with bypass)**
- **DVB-ASI sync word insertion and 8b/10b encoding**
- **adjustable loop bandwidth**
- **user selectable additional processing features including:**
 - **ANC data checksum, and line number calculation and insertion**
 - **TRS and EDH packet generation and insertion**
 - **illegal code remapping**
- **internal flywheel for noise immune TRS generation**
- **20-bit / 10-bit CMOS parallel input data bus**
- **27MHz / 13.5MHz parallel digital input**
- **automatic standards detection and indication**
- **1.8V core power supply and 3.3V charge pump power supply**
- **3.3V digital I/O supply**
- **JTAG test interface**
- **small footprint compatible with GS1560A, GS1561, GS1532, and GS9060**

APPLICATIONS

- SMPTE 259M-C Serial Digital Interfaces
- DVB-ASI Serial Digital Interfaces

DESCRIPTION

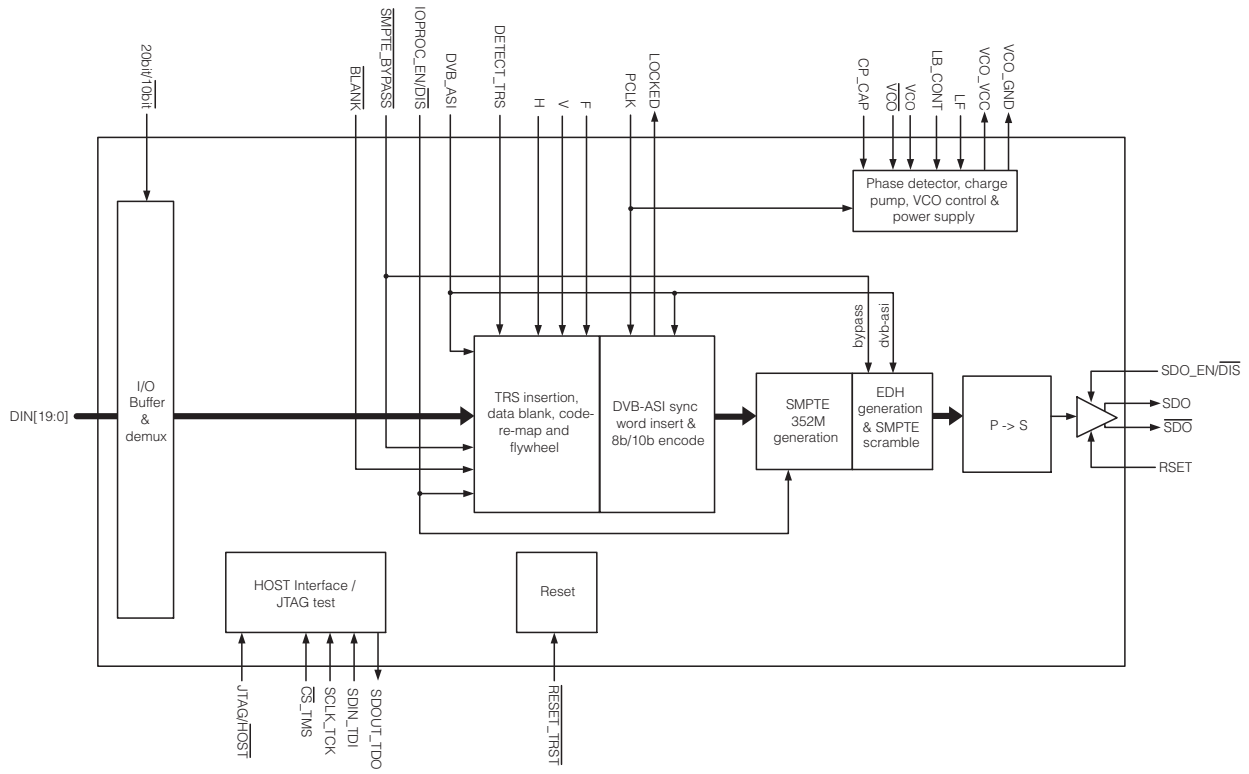
The GS9062 is a dual-standard serializer with an integrated cable driver. When used in conjunction with the GO1525 Voltage Controlled Oscillator, a transmit solution can be realized for SD-SDI and DVB-ASI applications.

In addition to serializing the input, the GS9062 performs NRZ-to-NRZI encoding and scrambling as per SMPTE 259M-C when operating in SMPTE mode. When operating in DVB-ASI mode, the device will insert K28.5 sync characters and 8b/10b encode the data prior to serialization.

Parallel data inputs are provided for 10-bit multiplexed or 20-bit demultiplexed formats. An appropriate parallel clock input signal is also required.

The integrated cable driver features an output mute on loss of parallel clock, high impedance mode and adjustable signal swing.

The GS9062 also includes a range of data processing functions including automatic standards detection and EDH support. The device can also insert TRS signals, re-map illegal code words and insert SMPTE 352M payload identifier packets. All processing features are optional and may be enabled/disabled via external control pin(s) and/or host interface programming.



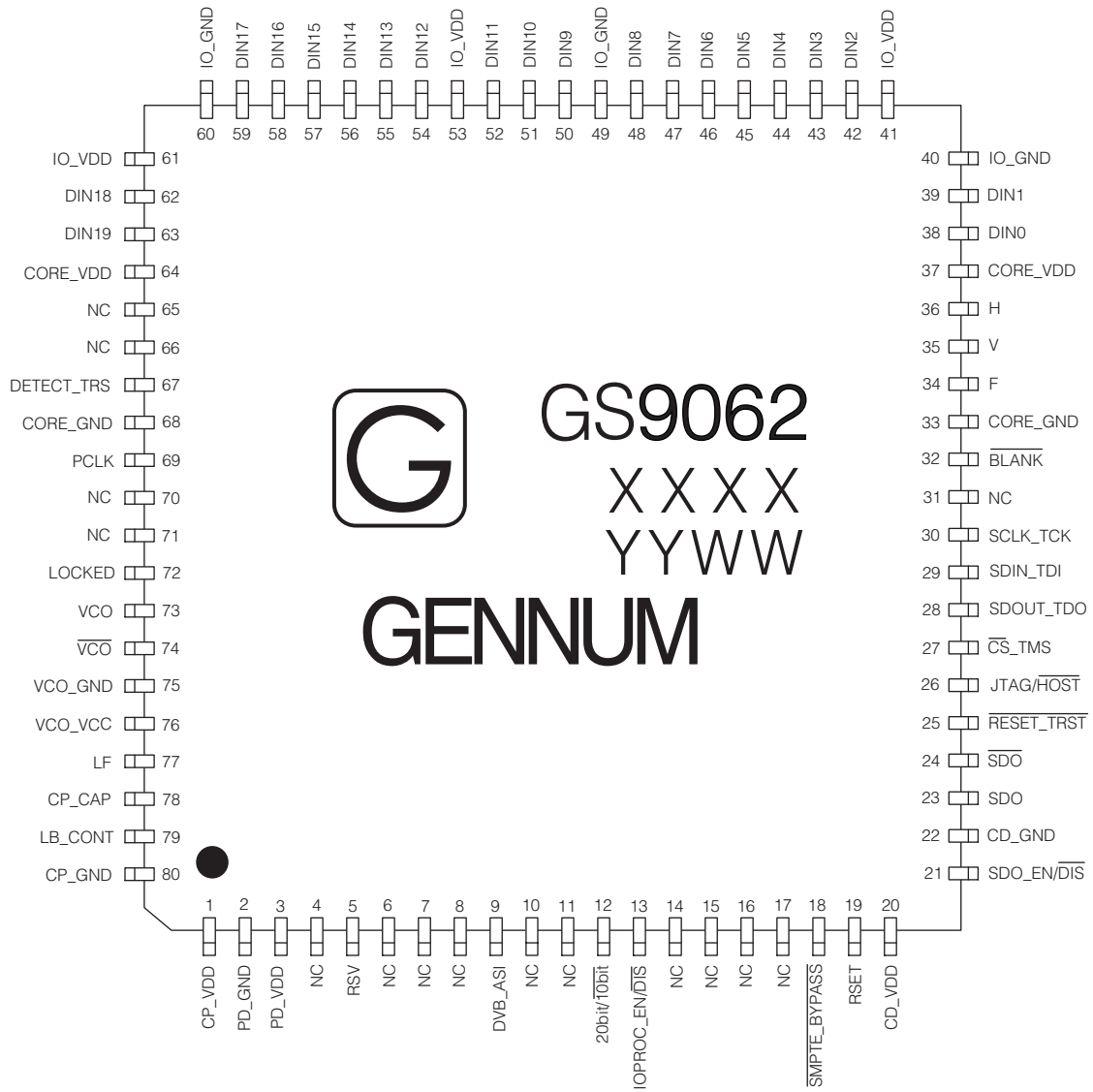
GS9062 FUNCTIONAL BLOCK DIAGRAM

TABLE OF CONTENTS

1. PIN OUT	4
1.1 PIN ASSIGNMENT.....	4
1.2 PIN DESCRIPTIONS.....	5
2. ELECTRICAL CHARACTERISTICS	11
2.1 ABSOLUTE MAXIMUM RATINGS.....	11
2.2 DC ELECTRICAL CHARACTERISTICS.....	12
2.3 AC ELECTRICAL CHARACTERISTICS.....	13
2.4 INPUT/OUTPUT CIRCUITS	14
2.5 HOST INTERFACE MAPS	15
3. DETAILED DESCRIPTION.....	18
3.1 FUNCTIONAL OVERVIEW	18
3.2 PARALLEL DATA INPUTS.....	18
3.2.1 PARALLEL INPUT IN SMPTE MODE	18
3.2.2 PARALLEL INPUT IN DVB-ASI MODE.....	18
3.2.3 PARALLEL INPUT IN DATA-THROUGH MODE.....	19
3.2.4 PARALLEL INPUT CLOCK (PCLK)	19
3.3 SMPTE MODE	19
3.3.1 INTERNAL FLYWHEEL.....	19
3.3.2 HVF TIMING SIGNAL EXTRACTION.....	20
3.4 DVB-ASI MODE.....	20
3.4.1 CONTROL SIGNAL INPUTS	20
3.5 DATA-THROUGH MODE	21
3.6 ADDITIONAL PROCESSING FUNCTIONS.....	21
3.6.1 INPUT DATA BLANK.....	21
3.6.2 AUTOMATIC VIDEO STANDARD DETECTION	21
3.6.3 PACKET GENERATION AND INSERTION	23
3.7 PARALLEL-TO-SERIAL CONVERSION.....	28
3.8 SERIAL DIGITAL DATA PLL.....	28
3.8.1 EXTERNAL VCO.....	28
3.8.2 LOCK DETECT OUTPUT.....	28
3.9 SERIAL DIGITAL OUTPUT	28
3.9.1 OUTPUT SWING	29
3.9.2 SERIAL DIGITAL OUTPUT MUTE	29
3.10 GSPI HOST INTERFACE	29
3.10.1 COMMAND WORD DESCRIPTION.....	29
3.10.2 DATA READ AND WRITE TIMING	30
3.10.3 CONFIGURATION AND STATUS REGISTERS	30
3.11 JTAG.....	31
3.12 DEVICE POWER UP.....	31
3.13 DEVICE RESET.....	31
4. APPLICATION REFERENCE DESIGN	32
4.1 TYPICAL APPLICATION CIRCUIT	32
5. REFERENCES & RELEVANT STANDARDS.....	33
6. PACKAGE & ORDERING INFORMATION.....	33
6.1 PACKAGE DIMENSIONS.....	33
6.2 ORDERING INFORMATION.....	34
7. REVISION HISTORY	34

1. PIN OUT

1.1 PIN ASSIGNMENT



1.2 PIN DESCRIPTIONS

PIN NUMBER	NAME	TIMING	TYPE	DESCRIPTION
1	CP_VDD	-	Power	Power supply connection for the charge pump. Connect to +3.3V DC analog.
2	PD_GND	-	Power	Ground connection for the phase detector. Connect to analog GND.
3	PD_VDD	-	Power	Power supply connection for the phase detector. Connect to +1.8V DC analog.
4, 6 - 8, 10 - 11, 14 - 17, 31, 70 - 71	NC	-	-	No connect.
5	RSV	-	-	Reserved – connect to analog ground.
9	DVB_ASI	Non Synchronous	Input	CONTROL SIGNAL INPUT Signal levels are LVCMOS/LVTTL compatible. When set HIGH in conjunction with $\overline{\text{SMPTE_BYPASS}} = \text{LOW}$, the device will be configured to operate in DVB-ASI mode. When set LOW, the device will not support the encoding of received DVB-ASI data.
12	20bit/10bit	Non Synchronous	Input	CONTROL SIGNAL INPUT Signal levels are LVCMOS/LVTTL compatible. Used to select the input data bus width in SMPTE or Data-Through modes. This signal is ignored in DVB-ASI mode. When set HIGH, the parallel input will be 20-bit demultiplexed data. When set LOW, the parallel input will be 10-bit multiplexed data.
13	IOPROC_EN/ $\overline{\text{DIS}}$	Non Synchronous	Input	CONTROL SIGNAL INPUT Signal levels are LVCMOS/LVTTL compatible. Used to enable or disable I/O processing features. When set HIGH, the following I/O processing features of the device are enabled: <ul style="list-style-type: none"> • EDH Packet Generation and Insertion • SMPTE 352M Packet Generation and Insertion • ANC Data Checksum Calculation and Insertion • TRS Generation and Insertion • Illegal Code Remapping To enable a subset of these features, keep IOPROC_EN/ $\overline{\text{DIS}}$ HIGH and disable the individual feature(s) in the IOPROC_DISABLE register accessible via the host interface. When set LOW, the I/O processing features of the device are disabled, regardless of whether the features are enabled in the IOPROC_DISABLE register.
18	$\overline{\text{SMPTE_BYPASS}}$	Non Synchronous	Input	CONTROL SIGNAL INPUT Signal levels are LVCMOS/LVTTL compatible. When set HIGH in conjunction with DVB_ASI = LOW, the device will be configured to operate in SMPTE mode. All I/O processing features may be enabled in this mode. When set LOW, the device will not support the scrambling or encoding of received SMPTE data. No I/O processing features will be available.

1.2 PIN DESCRIPTIONS (CONTINUED)

PIN NUMBER	NAME	TIMING	TYPE	DESCRIPTION
19	RSET	Analog	Input	Used to set the serial digital output signal amplitude. Connect to CD_VDD through 281Ω +/- 1% for 800mV _{p-p} single-ended output swing.
20	CD_VDD	-	Power	Power supply connection for the serial digital cable driver. Connect to +1.8V DC analog.
21	SDO_EN/ $\overline{\text{DIS}}$	Non Synchronous	Input	CONTROL SIGNAL INPUT Signal levels are LVCMOS/LVTTL compatible. Used to enable or disable the serial digital output stage. When set LOW, the serial digital output signals SDO and $\overline{\text{SDO}}$ are disabled and become high impedance. When set HIGH, the serial digital output signals SDO and $\overline{\text{SDO}}$ are enabled.
22	CD_GND	-	Power	Ground connection for the serial digital cable driver. Connect to analog GND.
23, 24	SDO, $\overline{\text{SDO}}$	Analog	Output	Serial digital output signal operating at 270Mb/s. The slew rate of these outputs is automatically controlled to meet SMPTE 259M specifications.
25	$\overline{\text{RESET_TRST}}$	Non Synchronous	Input	CONTROL SIGNAL INPUT Signal levels are LVCMOS/LVTTL compatible. Used to reset the internal operating conditions to default settings and to reset the JTAG test sequence. Host Mode (JTAG/ $\overline{\text{HOST}}$ = LOW) When asserted LOW, all functional blocks will be set to default conditions and all input and output signals become high impedance, including the serial digital outputs SDO and $\overline{\text{SDO}}$. Must be set HIGH for normal device operation. JTAG Test Mode (JTAG/ $\overline{\text{HOST}}$ = HIGH) When asserted LOW, all functional blocks will be set to default and the JTAG test sequence will be held in reset. When set HIGH, normal operation of the JTAG test sequence resumes.
26	JTAG/ $\overline{\text{HOST}}$	Non Synchronous	Input	CONTROL SIGNAL INPUT Signal levels are LVCMOS/LVTTL compatible. Used to select JTAG Test Mode or Host Interface Mode. When set HIGH, $\overline{\text{CS_TMS}}$, SDOOUT_TDO, SDI_TDI and SCLK_TCK are configured for JTAG boundary scan testing. When set LOW, $\overline{\text{CS_TMS}}$, SDOOUT_TDO, SDI_TDI and SCLK_TCK are configured as GSPI pins for normal host interface operation.
27	$\overline{\text{CS_TMS}}$	Synchronous with SCLK_TCK	Input	CONTROL SIGNAL INPUT Signal levels are LVCMOS/LVTTL compatible. Chip Select / Test Mode Select Host Mode (JTAG/ $\overline{\text{HOST}}$ = LOW) $\overline{\text{CS_TMS}}$ operates as the host interface chip select, $\overline{\text{CS}}$, and is active LOW. JTAG Test Mode (JTAG/ $\overline{\text{HOST}}$ = HIGH) $\overline{\text{CS_TMS}}$ operates as the JTAG test mode select, TMS, and is active HIGH.

1.2 PIN DESCRIPTIONS (CONTINUED)

PIN NUMBER	NAME	TIMING	TYPE	DESCRIPTION
28	SDOUT_TDO	Synchronous with SCLK_TCK	Output	<p>CONTROL SIGNAL OUTPUT Signal levels are LVCMOS/LVTTL compatible.</p> <p>Serial Data Output / Test Data Output</p> <p>Host Mode (JTAG/$\overline{\text{HOST}}$ = LOW) SDOUT_TDO operates as the host interface serial output, SDOUT, used to read status and configuration information from the internal registers of the device.</p> <p>JTAG Test Mode (JTAG/$\overline{\text{HOST}}$ = HIGH) SDOUT_TDO operates as the JTAG test data output, TDO.</p>
29	SDIN_TDI	Synchronous with SCLK_TCK	Input	<p>CONTROL SIGNAL INPUT Signal levels are LVCMOS/LVTTL compatible.</p> <p>Serial Data In / Test Data Input</p> <p>Host Mode (JTAG/$\overline{\text{HOST}}$ = LOW) SDIN_TDI operates as the host interface serial input, SDIN, used to write address and configuration information to the internal registers of the device.</p> <p>JTAG Test Mode (JTAG/$\overline{\text{HOST}}$ = HIGH) SDIN_TDI operates as the JTAG test data input, TDI.</p>
30	SCLK_TCK	Non Synchronous	Input	<p>CONTROL SIGNAL INPUT Signal levels are LVCMOS/LVTTL compatible.</p> <p>Serial Data Clock / Test Clock.</p> <p>Host Mode (JTAG/$\overline{\text{HOST}}$ = LOW) SCLK_TCK operates as the host interface burst clock, SCLK. Command and data read/write words are clocked into the device synchronously with this clock.</p> <p>JTAG Test Mode (JTAG/$\overline{\text{HOST}}$ = HIGH) SCLK_TCK operates as the JTAG test clock, TCK.</p>
32	$\overline{\text{BLANK}}$	Synchronous with PCLK	Input	<p>CONTROL SIGNAL INPUT Signal levels are LVCMOS/LVTTL compatible.</p> <p>Used to enable or disable input data blanking.</p> <p>When set LOW, the luma and chroma input data is set to the appropriate blanking levels. Horizontal and vertical ancillary spaces will also be set to blanking levels.</p> <p>When set HIGH, the luma and chroma input data pass through the device unaltered.</p>
33, 68	CORE_GND	-	Power	Ground connection for the digital core logic. Connect to digital GND.
34	F	Synchronous with PCLK	Input	<p>CONTROL SIGNAL INPUT Signal levels are LVCMOS/LVTTL compatible.</p> <p>Used to indicate the ODD / EVEN field of the video signal when DETECT_TRS is set LOW. The device will set the F bit in all outgoing TRS signals for the entire period that the F input signal is HIGH (IOPROC_EN/$\overline{\text{DIS}}$ must also be HIGH).</p> <p>The F signal should be set HIGH for the entire period of field 2 and should be set LOW for all lines in field 1 and for all lines in progressive scan systems.</p> <p>The F signal is ignored when DETECT_TRS = HIGH.</p>

1.2 PIN DESCRIPTIONS (CONTINUED)

PIN NUMBER	NAME	TIMING	TYPE	DESCRIPTION
35	V	Synchronous with PCLK	Input	<p>CONTROL SIGNAL INPUT Signal levels are LVCMOS/LVTTL compatible.</p> <p>Used to indicate the portion of the video field / frame that is used for vertical blanking when DETECT_TRS is set LOW. The device will set the V bit in all outgoing TRS signals for the entire period that the V input signal is HIGH (IOPROC_EN/DIS must also be HIGH).</p> <p>The V signal should be set HIGH for the entire vertical blanking period and should be set LOW for all lines outside of the vertical blanking interval.</p> <p>The V signal is ignored when DETECT_TRS = HIGH.</p>
36	H	Synchronous with PCLK	Input	<p>CONTROL SIGNAL INPUT Signal levels are LVCMOS/LVTTL compatible.</p> <p>Used to indicate the portion of the video line containing active video data when DETECT_TRS is set LOW. The device will set the H bit in all outgoing TRS signals for the entire period that the H input signal is HIGH (IOPROC_EN/DIS must also be HIGH).</p> <p>H signal timing is configurable via the H_CONFIG bit of the IOPROC_DISABLE register, accessible via the host interface.</p> <p>Active Line Blanking (H_CONFIG = 0_h) The H signal should be set HIGH for the entire horizontal blanking period, including the EAV and SAV TRS words, and LOW otherwise. This is the default setting.</p> <p>TRS Based Blanking (H_CONFIG = 1_h) The H signal should be set HIGH for the entire horizontal blanking period as indicated by the H bit in the received TRS ID words, and LOW otherwise.</p>
37, 64	CORE_VDD	-	Power	Power supply connection for the digital core logic. Connect to +1.8V DC digital.
38, 39, 42-48, 50	DIN[0:9]	Synchronous with PCLK	Input	<p>PARALLEL DATA BUS Signal levels are LVCMOS/LVTTL compatible.</p> <p>DIN9 is the MSB and DIN0 is the LSB.</p>
				<p>20-bit mode 20bit/10bit = HIGH</p> <p>Chroma data input in SMPTE mode SMPTE_BYPASS = HIGH DVB_ASI = LOW</p> <p>Data input in Data-Through mode SMPTE_BYPASS = LOW DVB_ASI = LOW</p> <p>High impedance in DVB-ASI mode SMPTE_BYPASS = LOW DVB_ASI = HIGH</p>
				<p>10-bit mode 20bit/10bit = LOW</p> <p>High impedance in all modes.</p>
40, 49, 60	IO_GND	-	Power	Ground connection for digital I/O buffers. Connect to digital GND.
41, 53, 61	IO_VDD	-	Power	Power supply connection for digital I/O buffers. Connect to +3.3V DC digital.

1.2 PIN DESCRIPTIONS (CONTINUED)

PIN NUMBER	NAME	TIMING	TYPE	DESCRIPTION	
51, 52, 54–59, 62, 63	DIN[10:19]	Synchronous with PCLK	Input	<p>PARALLEL DATA BUS Signal levels are LVCMOS/LVTTL compatible.</p> <p>DIN19 is the MSB and DIN10 is the LSB.</p>	
				<p>20-bit mode 20bit/10bit = HIGH</p> <p>Luma data input in SMPTE mode SMPTE_BYPASS = HIGH DVB_ASI = LOW</p> <p>Data input in Data-Through mode SMPTE_BYPASS = LOW DVB_ASI = LOW</p> <p>DVB-ASI data input in DVB-ASI mode SMPTE_BYPASS = LOW DVB_ASI = HIGH</p>	
				<p>10-bit mode 20bit/10bit = LOW</p> <p>Multiplexed Luma and Chroma data input in SMPTE mode SMPTE_BYPASS = HIGH DVB_ASI = LOW</p> <p>Data input in data through mode SMPTE_BYPASS = LOW DVB_ASI = LOW</p> <p>DVB-ASI data input in DVB-ASI mode SMPTE_BYPASS = LOW DVB_ASI = HIGH</p>	
67	DETECT_TRS	Non Synchronous	Input	<p>CONTROL SIGNAL INPUT Signal levels are LVCMOS/LVTTL compatible.</p> <p>Used to select the timing mode of the device.</p> <p>When set HIGH, the device will lock the internal flywheel to the embedded TRS timing signals in the parallel input data.</p> <p>When set LOW, the device will lock the internal flywheel to the externally supplied H, V, and F input signals.</p>	
69	PCLK	-	Input	<p>PARALLEL DATA BUS CLOCK Signal levels are LVCMOS/LVTTL compatible.</p>	
				SD 20-bit mode	PCLK = 13.5MHz
				SD 10-bit mode	PCLK = 27MHz
72	LOCKED	Synchronous with PCLK	Output	<p>STATUS SIGNAL OUTPUT Signal levels are LVCMOS / LVTTL compatible.</p> <p>The LOCKED signal will be HIGH whenever the device has correctly received and locked to SMPTE compliant data in SMPTE mode or DVB-ASI compliant data in DVB-ASI mode, or when the device has achieved lock in Data-Through mode.</p> <p>It will be LOW otherwise.</p>	

1.2 PIN DESCRIPTIONS (CONTINUED)

PIN NUMBER	NAME	TIMING	TYPE	DESCRIPTION
73, 74	VCO, $\overline{\text{VCO}}$	Analog	Input	Differential inputs for the external VCO reference signal. For single ended devices such as the GO1525, $\overline{\text{VCO}}$ should be AC coupled to VCO_GND.
75	VCO_GND	-	Output Power	Ground reference for the external voltage controlled oscillator. Connect to pins 2, 4, 6, and 8 of the GO1525. This pin is an output. Should be isolated from all other grounds.
76	VCO_VCC	-	Output Power	Power supply for the external voltage controlled oscillator. Connect to pin 5 of the GO1525. This pin is an output. Should be isolated from all other power supplies.
77	LF	Analog	Output	Control voltage to external voltage controlled oscillator. Nominally +1.25V DC.
78	CP_CAP	Analog	Input	PLL lock time constant capacitor connection. Normally connected to VCO_GND through 2.2nF.
79	LB_CONT	Analog	Input	Control voltage to set the loop bandwidth of the integrated reclocker. Normally connected to VCO_VCC through 15k Ω .
80	CP_GND	-	Power	Ground connection for the charge pump. Connect to analog GND.

2. ELECTRICAL CHARACTERISTICS

2.1 ABSOLUTE MAXIMUM RATINGS

PARAMETER	VALUE/UNITS
Supply Voltage Core	-0.3V to +2.1V
Supply Voltage I/O	-0.3V to +4.6V
Input Voltage Range (any input)	-2.0V to + 5.25V
Ambient Operating Temperature	$-20^{\circ}\text{C} \leq T_A \leq 85^{\circ}\text{C}$
Storage Temperature	$-40^{\circ}\text{C} \leq T_{\text{STG}} \leq 125^{\circ}\text{C}$
Lead Temperature (soldering, 10 sec)	230°C

NOTE: See reflow solder profile

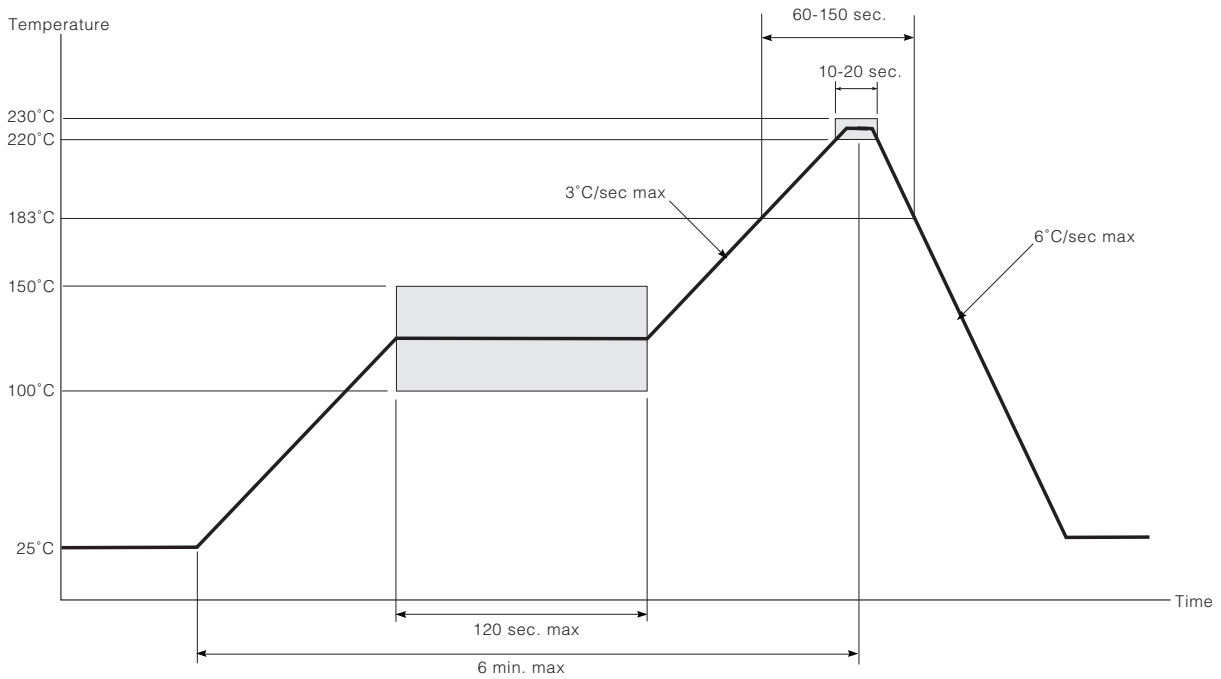


Figure 1 Reflow Solder Profile

2.2 DC ELECTRICAL CHARACTERISTICS

$T_A = 0^{\circ}\text{C}$ to 70°C , unless otherwise specified.

PARAMETER	SYMBOL	CONDITIONS	MIN	TYP	MAX	UNITS	TEST LEVEL	NOTES
SYSTEM								
Operation Temperature Range	T_A		0	-	70	$^{\circ}\text{C}$	-	1
Function Temperature Range			-25	-	85	$^{\circ}\text{C}$	-	2
Digital Core Supply Voltage	CORE_VDD		1.65	1.8	1.95	V	1	1
Digital I/O Supply Voltage	IO_VDD		3.0	3.3	3.6	V		
Charge Pump Supply Voltage	CP_VDD		3.0	3.3	3.6	V		
Phase Detector Supply Voltage	PD_VDD		1.65	1.8	1.95	V		
Input Buffer Supply Voltage	BUFF_VDD		1.65	1.8	1.95	V		
Cable Driver Supply Voltage	CD_VDD		1.71	1.8	1.89	V		
External VCO Supply Voltage Output	VCO_VCC		2.25	2.50	2.75	V	1	-
+1.8V Supply Current	I_{1V8}		-	-	245	mA	7	5
+3.3V Supply Current	I_{3V3}		-	-	45	mA	7	-
Total Device Power	P_D		-	-	590	mW	7	5
ESD Protection on all Pins	-		1	-	-	kV	-	3
DIGITAL I/O								
Input Logic LOW	V_{IL}		-	-	0.8	V	1	-
Input Logic HIGH	V_{IH}		2.1	-	-	V	1	-
Output Logic LOW	V_{OL}		-	0.2	0.4	V	1	-
Output Logic HIGH	V_{OH}		IO_VDD - 0.4	-	-	V	1	-
INPUT								
RSET Voltage	V_{RSET}	RSET=281 Ω	0.54	0.6	0.66	V	1	4
OUTPUT								
Output Common Mode Voltage	V_{CMOUT}	75 Ω load, RSET=281 Ω	0.8	1.0	1.2	V	1	-

TEST LEVELS

1. Production test at room temperature and nominal supply voltage with guardbands for supply and temperature ranges.
2. Production test at room temperature and nominal supply voltage with guardbands for supply and temperature ranges using correlated test.
3. Production test at room temperature and nominal supply voltage.
4. QA sample test.
5. Calculated result based on Level 1, 2, or 3.
6. Not tested. Guaranteed by design simulations.
7. Not tested. Based on characterization of nominal parts.
8. Not tested. Based on existing design/characterization data of similar product.
9. Indirect test.

NOTES

1. All DC and AC electrical parameters within specification.
2. Guaranteed functional.
3. MIL STD 883 ESD protection will be applied to all pins on the device.
4. Set by the value of the RSET resistor.
5. SDO outputs enabled.

2.3 AC ELECTRICAL CHARACTERISTICS

T_A = 0°C to 70°C, unless otherwise shown

PARAMETER	SYMBOL	CONDITIONS	MIN	TYP	MAX	UNITS	TEST LEVEL	NOTES
SYSTEM								
Device Latency		SMPTE and Data-Through modes	-	21	-	PCLK	6	-
		DVB-ASI mode	-	11	-			
Reset Pulse Width	t _{reset}		1	-	-	ms	7	3
PARALLEL INPUT								
Parallel Clock Frequency	f _{PCLK}		13.5	-	27.0	MHz	1	-
Parallel Clock Duty Cycle	DC _{PCLK}		40	50	60	%	1	-
Input Data Setup Time	t _{OH}		1.5	-	-	ns	1	1
Input Data Hold Time	t _{OD}		1.5	-	-	ns	1	1
SERIAL DIGITAL OUTPUT								
Serial Output Data Rate	DR _{SDO}		-	270	-	Mb/s	1	-
Serial Output Swing	ΔV _{SDD}	RSET = 281Ω 75Ω load	-	800	-	mVp-p	1	-
Serial Output RiseTime 20% ~ 80%	tr _{SDO}	ORL compensation using recommended circuit	400	550	1500	ps	1	-
Serial Output Fall Time 20% ~ 80%	tf _{SDO}	ORL compensation using recommended circuit	400	550	1500	ps	1	-
Serial Output Intrinsic Jitter	t _{IJ}	Pseudorandom and pathological signal	-	270	350	ps	1	-
Serial Output Duty Cycle Distortion	DCD _{SDO}		-	20	-	ps	1	2
GSPI								
GSPI Input Clock Frequency	f _{SCLK}		-	-	6.6	MHz	1	-
GSPI Input Clock Duty Cycle	DC _{SCLK}		40	50	60	%	3	-
GSPI Input Data Setup Time			0	-	-	ns	3	-
GSPI Input Data Hold Time			-	-	1.43	ns	3	-
GSPI Output Data Hold Time			2.10	-	-	ns	3	-
GSPI Output Data Delay Time			-	-	7.27	ns	3	-

TEST LEVELS

1. Production test at room temperature and nominal supply voltage with guardbands for supply and temperature ranges.
2. Production test at room temperature and nominal supply voltage with guardbands for supply and temperature ranges using correlated test.
3. Production test at room temperature and nominal supply voltage.
4. QA sample test.
5. Calculated result based on Level 1, 2, or 3.
6. Not tested. Guaranteed by design simulations.
7. Not tested. Based on characterization of nominal parts.
8. Not tested. Based on existing design/characterization data of similar product.
9. Indirect test.

NOTES

1. With 15pF load.
2. Serial Duty Cycle Distortion is defined here to be the difference between the width of a '1' bit, and the width of a '0' bit.
3. See Section 3.12, Figure 18.

2.4 INPUT/OUTPUT CIRCUITS

All resistors in ohms, all capacitors in farads, unless otherwise shown.

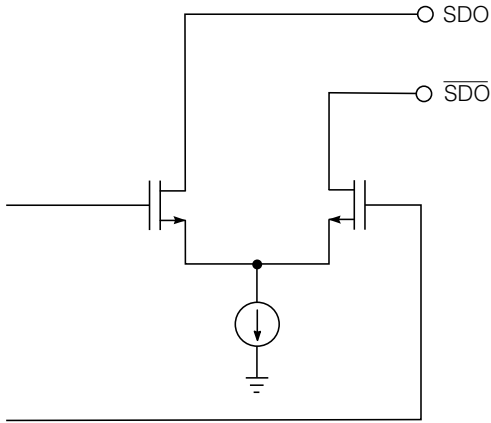


Figure 2 Serial Digital Output

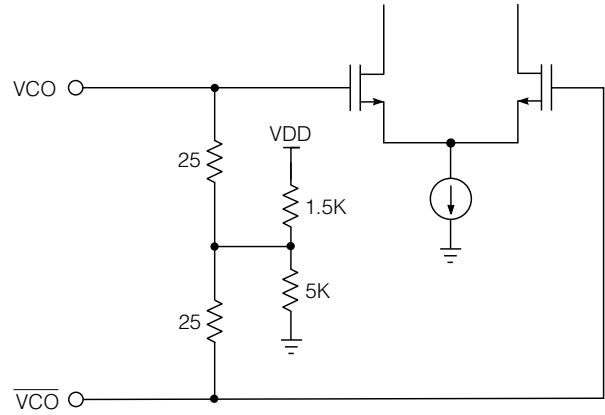


Figure 5 VCO Input

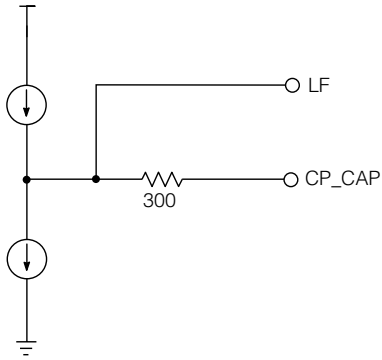


Figure 3 VCO Control Output & PLL Lock Time Capacitor

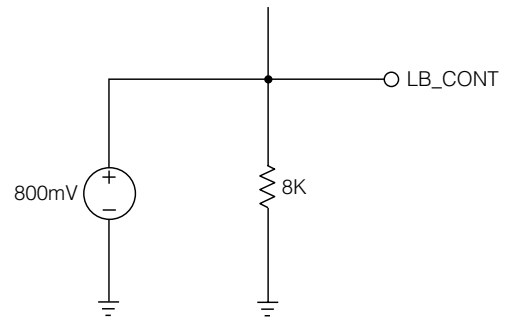


Figure 6 PLL Loop Bandwidth Control

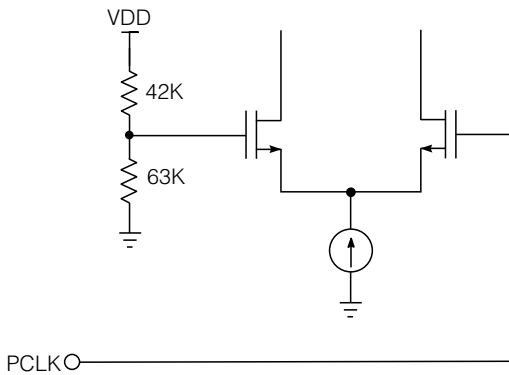


Figure 4 PCLK Input

2.5 HOST INTERFACE MAPS

REGISTER NAME	ADDRESS	15	14	13	12	11	10	9	8	7	6	5	4	3	2	1	0
LINE_352M_L2	1Ch	Not Used	Not Used	Not Used	Not Used	Not Used	b10	b9	b8	b7	b6	b5	b4	b3	b2	b1	b0
LINE_352M_F1	1Bh	Not Used	Not Used	Not Used	Not Used	Not Used	b10	b9	b8	b7	b6	b5	b4	b3	b2	b1	b0
	1Ah																
FF_LINE_END_F1	19h	Not Used	Not Used	Not Used	Not Used	Not Used	Not Used	b9	b8	b7	b6	b5	b4	b3	b2	b1	b0
FF_LINE_START_F1	18h	Not Used	Not Used	Not Used	Not Used	Not Used	Not Used	b9	b8	b7	b6	b5	b4	b3	b2	b1	b0
FF_LINE_END_F0	17h	Not Used	Not Used	Not Used	Not Used	Not Used	Not Used	b9	b8	b7	b6	b5	b4	b3	b2	b1	b0
FF_LINE_START_F0	16h	Not Used	Not Used	Not Used	Not Used	Not Used	Not Used	b9	b8	b7	b6	b5	b4	b3	b2	b1	b0
AP_LINE_END_F1	15h	Not Used	Not Used	Not Used	Not Used	Not Used	Not Used	b9	b8	b7	b6	b5	b4	b3	b2	b1	b0
AP_LINE_START_F1	14h	Not Used	Not Used	Not Used	Not Used	Not Used	Not Used	b9	b8	b7	b6	b5	b4	b3	b2	b1	b0
AP_LINE_END_F0	13h	Not Used	Not Used	Not Used	Not Used	Not Used	Not Used	b9	b8	b7	b6	b5	b4	b3	b2	b1	b0
AP_LINE_START_F0	12h	Not Used	Not Used	Not Used	Not Used	Not Used	Not Used	b9	b8	b7	b6	b5	b4	b3	b2	b1	b0
RASTER_STRUCTURE4	11h	Not Used	Not Used	Not Used	Not Used	Not Used	b10	b9	b8	b7	b6	b5	b4	b3	b2	b1	b0
RASTER_STRUCTURE3	10h	Not Used	Not Used	Not Used	Not Used	Not Used	b10	b9	b8	b7	b6	b5	b4	b3	b2	b1	b0
RASTER_STRUCTURE2	0Fh	Not Used	Not Used	Not Used	Not Used	b11	b10	b9	b8	b7	b6	b5	b4	b3	b2	b1	b0
RASTER_STRUCTURE1	0Eh	Not Used	Not Used	Not Used	Not Used	b11	b10	b9	b8	b7	b6	b5	b4	b3	b2	b1	b0
	0Dh																
	0Ch																
VIDEO_FORMAT_B	0Bh		VF-4-b6	VF-4-b5	VF-4-b4	VF-4-b3	VF-4-b2	VF-4-b1	VF-4-b0	VF-3-b7	VF-3-b6	VF-3-b5	VF-3-b4	VF-3-b3	VF-3-b2	VF-3-b1	VF-3-b0
VIDEO_FORMAT_A	0Ah	VF-2-b7	VF-2-b6	VF-2-b5	VF-2-b4	VF-2-b3	VF-2-b2	VF-2-b1	VF-2-b0	VF-1-b7	VF-1-b6	VF-1-b5	VF-1-b4	VF-1-b3	VF-1-b2	VF-1-b1	VF-1-b0
	09h																
	08h																
	07h																
	06h																
	05h																
VIDEO_STANDARD	04h	Not Used	VDS-b4	VDS-b3	VDS-b2	VDS-b1	VDS-b0	INT_PROG	STD_LOCK	Not Used	Not Used	Not Used	Not Used	Not Used	Not Used	Not Used	Not Used
	03h																
EDH_FLAG	02h	Not Used	ANC-UES	ANC-IDA	ANC-IDH	ANC-EDA	ANC-EDH	FF-UES	FF-IDA	FF-IDH	FF-EDA	FF-EDH	AP-UES	AP-IDA	AP-IDH	AP-EDA	AP-EDH
	01h																
IOPROC_DISABLE	00h	Not Used	Not Used	Not Used	Not Used	Not Used	Not Used	Not Used	H_CONFIG	Not Used	352M_INS	ILLEGAL_REMAP	EDH_CRC_INS	ANC_CSUM_INS	Not Used	Not Used	TRS_INS

2.5.1 Host Interface Map (Read only registers)

REGISTER NAME	ADDRESS	15	14	13	12	11	10	9	8	7	6	5	4	3	2	1	0
	1Ch																
	1Bh																
	1Ah																
	19h																
	18h																
	17h																
	16h																
	15h																
	14h																
	13h																
	12h																
	11h						b10	b9	b8	b7	b6	b5	b4	b3	b2	b1	b0
RASTER_STRUCTURE4	11h						b10	b9	b8	b7	b6	b5	b4	b3	b2	b1	b0
RASTER_STRUCTURE3	10h					b11	b10	b9	b8	b7	b6	b5	b4	b3	b2	b1	b0
RASTER_STRUCTURE2	0Fh					b11	b10	b9	b8	b7	b6	b5	b4	b3	b2	b1	b0
RASTER_STRUCTURE1	0Eh					b11	b10	b9	b8	b7	b6	b5	b4	b3	b2	b1	b0
	0Dh																
	0Ch																
	0Bh																
	0Ah																
	09h																
	08h																
	07h																
	06h																
	05h																
	04h		VDS-b4	VDS-b3	VDS-b2	VDS-b1	VDS-b0	INT_PROG	STD_LOCK								
VIDEO_STANDARD	04h		VDS-b4	VDS-b3	VDS-b2	VDS-b1	VDS-b0	INT_PROG	STD_LOCK								
	03h																
	02h																
	01h																
	00h																

2.5.2 Host Interface Map (RW configurable registers)

REGISTER NAME	ADDRESS	15	14	13	12	11	10	9	8	7	6	5	4	3	2	1	0
LINE_352M_I2	1Ch						b10	b9	b8	b7	b6	b5	b4	b3	b2	b1	b0
LINE_352M_I1	1Bh						b10	b9	b8	b7	b6	b5	b4	b3	b2	b1	b0
FF_LINE_END_F1	1Ah																
FF_LINE_START_F1	19h							b9	b8	b7	b6	b5	b4	b3	b2	b1	b0
FF_LINE_END_F0	18h							b9	b8	b7	b6	b5	b4	b3	b2	b1	b0
FF_LINE_START_F0	17h							b9	b8	b7	b6	b5	b4	b3	b2	b1	b0
AP_LINE_END_F1	16h							b9	b8	b7	b6	b5	b4	b3	b2	b1	b0
AP_LINE_START_F1	15h							b9	b8	b7	b6	b5	b4	b3	b2	b1	b0
AP_LINE_END_F0	14h							b9	b8	b7	b6	b5	b4	b3	b2	b1	b0
AP_LINE_START_F0	13h							b9	b8	b7	b6	b5	b4	b3	b2	b1	b0
	12h							b9	b8	b7	b6	b5	b4	b3	b2	b1	b0
	11h																
	10h																
	0Fh																
	0Eh																
	0Dh																
	0Ch																
VIDEO_FORMAT_B	0Bh	VF4-b7	VF4-b6	VF4-b5	VF4-b4	VF4-b3	VF4-b2	VF4-b1	VF4-b0	VF3-b7	VF3-b6	VF3-b5	VF3-b4	VF3-b3	VF3-b2	VF3-b1	VF3-b0
VIDEO_FORMAT_A	0Ah	VF2-b7	VF2-b6	VF2-b5	VF2-b4	VF2-b3	VF2-b2	VF2-b1	VF2-b0	VF1-b7	VF1-b6	VF1-b5	VF1-b4	VF1-b3	VF1-b2	VF1-b1	VF1-b0
	09h																
	08h																
	07h																
	06h																
	05h																
	04h																
	03h																
EDH_FLAG	02h	ANC-UES	ANC-UES	ANC-IDA	ANC-IDH	ANC-EDA	ANC-EDH	FF-UES	FF-IDA	FF-IDH	FF-EDA	FF-EDH	AP-UES	AP-IDA	AP-IDH	AP-EDA	AP-EDH
	01h								H_CONFIG		352M_INS	ILLEGAL_REMAP	EDH_CRC_INS	ANC_CSUM_INS			TRS_INS
IOPROC_DISABLE	00h																

3. DETAILED DESCRIPTION

3.1 FUNCTIONAL OVERVIEW

The GS9062 is a dual-standard serializer with an integrated cable driver. When used in conjunction with the external GO1525 Voltage Controlled Oscillator, a transmit solution at 270Mb/s is realized.

The device has three different modes of operation which must be set by the application layer through external device pins.

When SMPTE mode is enabled, the device will accept 10-bit multiplexed or 20-bit demultiplexed SMPTE compliant data. The device's additional processing features are also enabled in this mode.

In DVB-ASI mode, the GS9062 will accept an 8-bit parallel DVB-ASI compliant transport stream on its upper input bus. The serial output data stream will be 8b/10b encoded and stuffed.

The GS9062's third mode allows for the serializing of data not conforming to SMPTE or DVB-ASI streams.

The provided serial digital outputs feature a high impedance mode, output mute on loss of parallel clock and adjustable signal swing.

In the digital signal processing core, several data processing functions are implemented including SMPTE 352M and EDH data packet generation and insertion, and automatic video standards detection. These features are all enabled by default, but may be individually disabled via internal registers accessible through the GSPI host interface.

Finally, the GS9062 contains a JTAG interface for boundary scan test implementations.

3.2 PARALLEL DATA INPUTS

Data inputs enter the device on the rising edge of PCLK as shown in Figure 7.

The input data format is defined by the setting of the external `SMPTE_BYPASS` and `DVB_ASI` pins and may be presented in 10-bit or 20-bit format. The input data bus width is controlled independently from the internal data bus width by the `20bit/10bit` input pin.

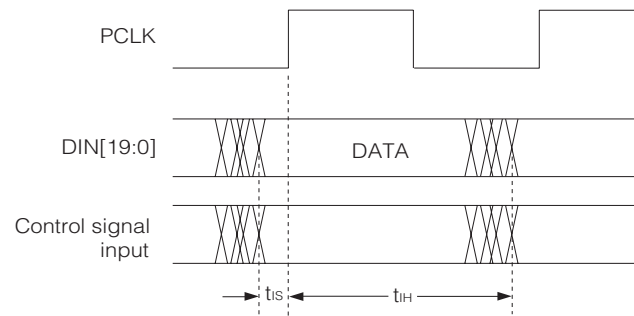


Figure 7 PCLK to Data Timing

3.2.1 Parallel Input in SMPTE Mode

When the device is operating in SMPTE mode, (see Section 3.3), data may be presented to the input bus in either multiplexed or demultiplexed form depending on the setting of the `20bit/10bit` input pin.

In 20-bit mode, (`20bit/10bit` = HIGH), the input data format should be word aligned, demultiplexed luma and chroma data. Luma words should be presented to DIN[19:10] while chroma words should occupy DIN[9:0].

In 10-bit mode, (`20bit/10bit` = LOW), the input data format should be word aligned, multiplexed luma and chroma data. The data should be presented to DIN[19:10]. DIN[9:0] will be high impedance in this mode.

3.2.2 Parallel Input in DVB-ASI Mode

When operating in DVB-ASI mode, (see Section 3.4), the GS9062 automatically configures the input port for 10-bit operation regardless of the setting of the `20bit/10bit` pin.

The device will accept 8-bit data words on DIN[17:10] such that DIN17 = HIN is the most significant bit of the encoded transport stream data and DIN10 = AIN is the least significant bit.

In addition, DIN19 and DIN18 will be configured as the DVB-ASI control signals INSSYNCIN and KIN respectively. See Section 3.4 for a description of these DVB-ASI specific input signals.

DIN[9:0] will be high impedance when the GS9062 is operating in DVB-ASI mode.

3.2.3 Parallel Input in Data-Through Mode

When operating in Data-Through mode, (see Section 3.5), the GS9062 passes data presented to the parallel input bus to the serial output without performing any encoding or scrambling.

The input data bus width accepted by the device in this mode is controlled by the setting of the 20bit/10bit pin.

3.2.4 Parallel Input Clock (PCLK)

The frequency of the PCLK input signal required by the GS9062 is determined by the input data format. Table 1 below lists the possible input signal formats and their corresponding parallel clock rates. Note that DVB-ASI input will always be in 10-bit format, regardless of the setting of the 20bit/10bit pin.

TABLE 1 PARALLEL DATA INPUT FORMAT

INPUT DATA FORMAT	CONTROL SIGNALS			DOUT [19:10]	DOUT [9:0]	PCLK
	20bit/10bit	SMPTE_BYPASS	DVB_ASI			
SMPTE MODE						
20bit DEMULTIPLEXED	HIGH	HIGH	LOW	LUMA	CHROMA	13.5MHz
10bit MULTIPLEXED	LOW			LUMA / CHROMA	HIGH IMPEDANCE	27MHz
DVB-ASI MODE						
10bit DVB-ASI	HIGH	LOW	HIGH	DVB-ASI DATA	HIGH IMPEDANCE	27MHz
	LOW					
DATA-THROUGH MODE						
20bit DEMULTIPLEXED	HIGH	LOW	LOW	DATA	DATA	13.5MHz
10bit MULTIPLEXED	LOW			DATA	HIGH IMPEDANCE	27MHz

3.3 SMPTE MODE

The GS9062 is said to be in SMPTE mode when the SMPTE_BYPASS pin is set HIGH and the DVB_ASI pin is set LOW.

In this mode, the parallel data will be scrambled according to SMPTE 259M, and NRZ-to-NRZI encoded prior to serialization.

3.3.1 Internal Flywheel

The GS9062 has an internal flywheel which is used in the generation of internal / external timing signals, and in automatic video standards detection. It is operational in SMPTE mode only.

The flywheel consists of a number of counters and comparators operating at video pixel and video line rates. These counters maintain information about the total line length, active line length, total number of lines per field / frame and total active lines per field / frame for the received video standard.

When DETECT_TRS is LOW, the flywheel will be locked to the externally supplied H, V, and F timing signals.

When DETECT_TRS is HIGH, the flywheel will be locked to the embedded TRS signals in the parallel input data. Both 8-bit and 10-bit TRS code words will be identified by the device.

The flywheel 'learns' the video standard by timing the horizontal and vertical reference information supplied at the H, V, and F input pins, or contained in the TRS ID words of the received video data. Full synchronization of the flywheel to the received video standard therefore requires one complete video frame.

Once synchronization has been achieved, the flywheel will continue to monitor the received TRS timing or the supplied H, V, and F timing information to maintain synchronization.

3.3.2 HVF Timing Signal Extraction

As discussed above, the GS9062's internal flywheel may be locked to externally provided H, V, and F signals when DETECT_TRS is set LOW by the application layer.

The H signal timing should also be configured via the H_CONFIG bit of the internal IOPROC_DISABLE register as either active line based blanking or TRS based blanking, (see Section 3.6.3).

Active line based blanking is enabled when the H_CONFIG bit is set LOW. In this mode, the H input should be HIGH for the entire horizontal blanking period, including the EAV and SAV TRS words. This is the default H timing assumed by the device.

When H_CONFIG is set HIGH, TRS based blanking is enabled. In this case, the H input should be set HIGH for the entire horizontal blanking period as indicated by the H bit in the associated TRS words.

The timing of these signals is shown in Figure 8.

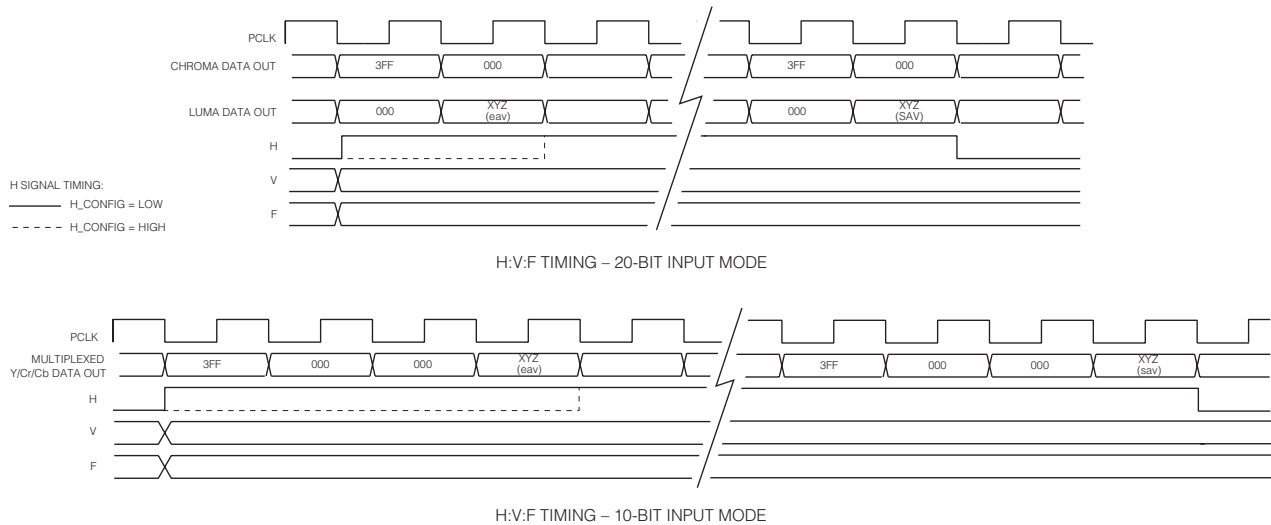


Figure 8 H, V, F Timing

3.4 DVB-ASI MODE

The GS9062 is said to be in DVB-ASI mode when the SMPTE_BYPASS pin is set LOW and the DVB_ASI pin is set HIGH.

In this mode, all SMPTE processing functions are disabled, and the 8-bit transport stream data will be 8b/10b encoded prior to serialization.

3.4.1 Control Signal Inputs

In DVB-ASI mode, the DIN19 and DIN18 pins will be configured as DVB-ASI control signals INSSYNCIN and KIN respectively.

When INSSYNCIN is set HIGH, the device will insert K28.5 sync characters into the data stream. This function is used to assist system implementations where the GS9062 may be preceded by an external data FIFO. Parallel DVB-ASI data may be clocked into the FIFO at some rate less than 27MHz. The INSSYNCIN input may then be connected to the FIFO empty signal, thus providing a means of padding up the data transmission rate to 27MHz. See Figure 9.

NOTE: 8b/10b encoding will take place after K28.5 sync character insertion.

KIN should be set HIGH whenever the parallel data input is to be interpreted as any special character defined by the DVB-ASI standard (including the K28.5 sync character). This pin should be set LOW when the input is to be interpreted as data.

NOTE: When operating in DVB-ASI mode, DIN[9:0] become high impedance.

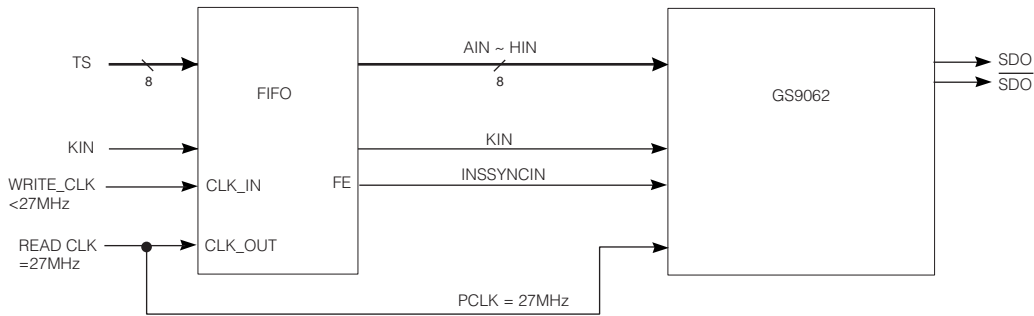


Figure 9 DVB-ASI FIFO Implementation using the GS9062

3.5 DATA-THROUGH MODE

The GS9062 may be configured by the application layer to operate as a simple parallel-to-serial converter. In this mode, the device presents data to the output buffer without performing any scrambling or encoding.

Data-through mode is enabled only when both the SMPTE_BYPASS and DVB_ASI pins are set LOW.

3.6 ADDITIONAL PROCESSING FUNCTIONS

The GS9062 contains an additional data processing block which is available in SMPTE mode only, (see Section 3.3).

3.6.1 Input Data Blank

The video input data may be 'blanked' by the GS9062. In this mode, all input video data except TRS words are set to the appropriate blanking levels by the device. Both the horizontal and vertical ancillary data spaces will also be set to blanking levels.

This function is enabled by setting the BLANK pin LOW.

3.6.2 Automatic Video Standard Detection

The GS9062 can detect the input video standard by using the timing parameters extracted from the received TRS ID words or supplied H, V, and F timing signals (see Section 3.3.1). This information is presented to the host interface via the VIDEO_STANDARD register (Table 2).

Total samples per line, active samples per line, total lines per field/frame and active lines per field/frame are also calculated and presented to the host interface via the RASTER_STRUCTURE registers (Table 3). These line and sample count registers are updated once per frame at the end of line 12. This is in addition to the information contained in the VIDEO_STANDARD register.

After device reset, the four RASTER_STRUCTURE registers default to zero.

TABLE 2 HOST INTERFACE DESCRIPTION FOR VIDEO STANDARD REGISTER

REGISTER NAME	BIT	NAME	DESCRIPTION	R/W	DEFAULT	
VIDEO_STANDARD Address: 04h	15	Not Used				
	14-10	VD_STD[4:0]	Video Data Standard (see Table 4)	R	0	
	9	Not Used				
	8	STD_LOCK	Standard Lock: Set HIGH when flywheel has achieved full synchronization.	R	0	
	7-0	Not Used				

TABLE 3 HOST INTERFACE DESCRIPTION FOR RASTER STRUCTURE REGISTERS

REGISTER NAME	BIT	NAME	DESCRIPTION	R/W	DEFAULT
RASTER_STRUCTURE1 Address: 0Eh	15-12	Not Used			
	11-0	RASTER_STRUCTURE_1[11:0]	Words Per Active Line	R	0
RASTER_STRUCTURE2 Address: 0Fh	15-12	Not Used			
	11-0	RASTER_STRUCTURE_2[11:0]	Words Per Total Line.	R	0
RASTER_STRUCTURE3 Address: 10h	15-11	Not Used			
	10-0	RASTER_STRUCTURE_3[10:0]	Total Lines Per Frame	R	0
RASTER_STRUCTURE4 Address: 11h	15-11	Not Used			
	10-0	RASTER_STRUCTURE_4[10:0]	Active Lines Per Field	R	0

3.6.2.1 Video Standard Indication

The video standard codes reported in the VD_STD[4:0] bits of the VIDEO_STANDARD register represent the SMPTE standards as shown in Table 4.

In addition to the 5-bit video standard code word, the VIDEO_STANDARD register also contains an additional status bit. The STD_LOCK bit will be set HIGH whenever the flywheel has achieved full synchronization.

The VD_STD[4:0] and STD_LOCK bits of the VIDEO_STANDARD register will default to zero after device reset. These bits will also default to zero if the SMPTE_BYPASS pin is asserted LOW or if the LOCKED output is LOW.

TABLE 4 SUPPORTED VIDEO STANDARDS

VD_STD[4:0]	SMPTE STANDARD	VIDEO FORMAT	LENGTH OF HANC	LENGTH OF ACTIVE VIDEO	TOTAL SAMPLES	SMPTE352M LINES
16h	125M	1440x487/60 (2:1) (Or dual link progressive)	268	1440	1716	3, 276
17h		1440x507/60 (2:1)	268	1440	1716	3, 276
19h		525-line 487 generic	-	-	1716	3, 276
1Bh		525-line 507 generic	-	-	1716	3, 276
18h	ITU-R BT.656	1440x576/50 (2:1) (Or dual link progressive)	280	1440	1728	9, 322
1Ah		625-line generic (EM)	-	-	1728	9, 322
1Eh	Unknown SD	-	-	-	-	-
00h-15h, 1Ch, 1Fh	Reserved					

3.6.3 Packet Generation and Insertion

In addition to input data blanking and automatic video standards detection, the GS9062 may also calculate, assemble and insert into the data stream various types of ancillary data packets and TRS ID words.

These features are only available when the device is set to operated in SMPTE mode and the IOPROC_EN/DIS pin is set HIGH. Individual insertion features may be enabled or disabled via the IOPROC_DISABLE register (Table 5).

All of the IOPROC_DISABLE register bits default to '0' after device reset, enabling all of the processing features. To disable any individual error correction feature, the host interface must set the corresponding bit HIGH in this register.

TABLE 5 HOST INTERFACE DESCRIPTION FOR INTERNAL PROCESSING DISABLE REGISTER

REGISTER NAME	BIT	NAME	DESCRIPTION	R/W	DEFAULT
IOPROC_DISABLE Address: 00h	15-9	Not Used			
	8	H_CONFIG	Horizontal sync timing input configuration. Set LOW when the H input timing is based on active line blanking (default). Set HIGH when the H input timing is based on the H bit of the TRS words. See Figure 8.	R/W	0
	7	Not Used			
	6	352M_INS	SMPTE352M packet insertion. The IOPROC_EN/DIS pin and SMPTE_BYPASS pin must also be set HIGH. Set HIGH to disable.	R/W	0
	5	ILLEGAL_REMAP	Illegal Code Remapping. Detection and correction of illegal code words within the active picture area (AP). The IOPROC_EN/DIS pin and SMPTE_BYPASS pin must also be set HIGH. Set HIGH to disable.	R/W	0
	4	EDH_CRC_INS	Error Detection & Handling (EDH) Cyclical Redundancy Check (CRC) error correction. The IOPROC_EN/DIS pin and SMPTE_BYPASS pin must also be set HIGH. Set HIGH to disable.	R/W	0
	3	ANC_CSUM_INS	Ancillary Data Checksum insertion. The IOPROC_EN/DIS pin and SMPTE_BYPASS pin must also be set HIGH. Set HIGH to disable.	R/W	0
	2-1	Not Used			
	0	TRS_INS	Timing Reference Signal Insertion. Occurs only when IOPROC_EN/DIS is HIGH and SMPTE_BYPASS is HIGH. Set HIGH to disable.	R/W	0

3.6.3.1 SMPTE 352M Payload Identifier Insertion

The GS9062 can generate and insert SMPTE 352M payload identifier ancillary data packets into the data stream, based on information programmed into the host interface.

When this feature is enabled, the device will automatically generate the ancillary data preambles, (DID, SDID, DBN, DC), and calculate the checksum. The SMPTE 352M packet will be inserted into the data stream according to the line number and sample position rules defined in the standard. Where an alternate insertion line is required, the host interface may program the LINE_352M registers (Table 6) with the appropriate line numbers.

The insertion process will only take place if one or more of the four VIDEO_FORMAT registers (Table 7) have been programmed with non-zero values. In addition, the GS9062 requires the 352M_INS bit of the IOPROC_DISABLE register be set LOW.

NOTE 1: For the purpose of determining the line and pixel position for insertion, the GS9062 will differentiate between PsF and interlaced formats by interrogating bits 14 and 15 of the VIDEO_FORMAT_A register.

The packets will be inserted immediately after the EAV word.

NOTE 2: It is the responsibility of the user to ensure that there is sufficient space in the horizontal blanking interval for the insertion of the SMPTE 352M packets.

If there are other ancillary data packets present, the SMPTE 352M packet will be inserted in the first available location in the horizontal ancillary space. Ancillary data must be adjacent to the EAV.

3.6.3.2 Illegal Code Remapping

If the ILLEGAL_REMAP bit of the IOPROC_DISABLE register is set LOW, the GS9062 will remap all codes within the active picture between the values of 3FCh and 3FFh to 3FBh. All codes within the active picture area between the values of 000h and 003h will be remapped to 004h.

In addition, 8-bit TRS and ancillary data preambles will be remapped to 10-bit values if this feature is enabled.

TABLE 6 HOST INTERFACE DESCRIPTION FOR SMPTE 352M PACKET LINE NUMBER INSERTION REGISTERS

REGISTER NAME	BIT	NAME	DESCRIPTION	R/W	DEFAULT	
LINE_352M_f1 Address: 1Bh	15-11	Not Used				
	10-0	LINE_0_352M[10:0]	Line number where SMPTE352M packet is inserted in field 1. This line number overrides the standard line number. If set to zero, the standard line number is used.	R/W	0	
LINE_352M_f2 Address: 1Ch	15-11	Not Used				
	10-0	LINE_1_352M[10:0]	Line number where SMPTE352M packet is inserted in field 2. This line number overrides the standard line number. If set to zero, the standard line number is used.	R/W	0	

TABLE 7 HOST INTERFACE DESCRIPTION FOR SMPTE 352M PAYLOAD IDENTIFIER REGISTERS

REGISTER NAME	BIT	NAME	DESCRIPTION	R/W	DEFAULT
VIDEO_FORMAT_B Address: 0Bh	15-8	SMPTE352M Byte 4	SMPTE 352M Byte 4 information must be programmed in this register when 352M_INS = LOW.	R/W	0
	7-0	SMPTE352M Byte 3	SMPTE 352M Byte 3 information must be programmed in this register when 352M_INS = LOW.	R/W	0
VIDEO_FORMAT_A Address: 0Ah	15-8	SMPTE352M Byte 2	SMPTE 352M Byte 2 information must be programmed in this register when 352M_INS = LOW.	R/W	0
	7-0	SMPTE 352M Byte 1	SMPTE 352M Byte 1 information must be programmed in this register when 352M_INS = LOW.	R/W	0

3.6.3.3 EDH Generation and Insertion

The GS9062 will generate and insert complete EDH packets into the data stream. Packet generation and insertion will only take place if the EDH_CRC_INS bit of the IOPROC_DISABLE register is set LOW.

The GS9062 will generate all of the required EDH packet data including all ancillary data preambles, (DID, DBN, DC), reserved code words and checksum. Calculation of both full field (FF) and active picture (AP) CRC's will be carried out by the device.

SMPTE RP165 specifies the calculation ranges and scope of EDH data for standard 525 and 625 component digital interfaces. The GS9062 will utilize these standard ranges by default.

If the received video format does not correspond to 525 or 625 digital component video standards as determined by the flywheel pixel and line counters, then one of two schemes for determining the EDH calculation ranges will be employed:

1. Ranges will be based on the line and pixel ranges programmed by the host interface; or
2. In the absence of user-programmed calculation ranges, ranges will be determined from the received TRS ID words or supplied H, V, and F timing signals (see Section 3.3.1).

The registers available to the host interface for programming EDH calculation ranges include active picture and full field line start and end positions for both fields. Table 8 shows the relevant registers, which default to '0' after device reset.

If any or all of these register values are zero, then the EDH CRC calculation ranges will be determined from the flywheel generated H signal. The first active and full field pixel will always be the first pixel after the SAV TRS code word. The last active and full field pixel will always be the last pixel before the start of the EAV TRS code words.

EDH error flags (EDH, EDA, IDH, IDA and UES) for ancillary data, full field and active picture will also be inserted. These flags must be programmed into the EDH_FLAG registers of the device by the application layer (Table 9).

NOTE 1: It is the responsibility of the user to ensure that the EDH flag registers are updated once per field.

The prepared EDH packet will be inserted at the appropriate line of the video stream according to RP165. The start pixel position of the inserted packet will be based on the SAV position of that line such that the last byte of the EDH packet (the checksum) will be placed in the sample immediately preceding the start of the SAV TRS word.

NOTE 2: It is also the responsibility of the user to ensure that there is sufficient space in the horizontal blanking interval for the EDH packet to be inserted.

TABLE 8 HOST INTERFACE DESCRIPTION FOR EDH CALCULATION RANGE REGISTERS

REGISTER NAME	BIT	NAME	DESCRIPTION	R/W	DEFAULT
AP_LINE_START_F0 Address: 12h	15-10	Not Used			
	9-0	AP_LINE_START_F0[9:0]	Field 0 Active Picture start line data used to set EDH calculation range outside of RP 165 values.	R/W	0
AP_LINE_END_F0 Address: 13h	15-10	Not Used			
	9-0	AP_LINE_END_F0[9:0]	Field 0 Active Picture end line data used to set EDH calculation range outside of RP 165 values.	R/W	0
AP_LINE_START_F1 Address: 14h	15-10	Not Used			
	9-0	AP_LINE_START_F1[9:0]	Field 1 Active Picture start line data used to set EDH calculation range outside of RP 165 values.	R/W	0
AP_LINE_END_F1 Address: 15h	15-10	Not Used			
	9-0	AP_LINE_END_F1[9:0]	Field 1 Active Picture end line data used to set EDH calculation range outside of RP 165 values.	R/W	0
FF_LINE_START_F0 Address: 16h	15-10	Not Used			
	9-0	FF_LINE_START_F0[9:0]	Field 0 Full Field start line data used to set EDH calculation range outside of RP 165 values.	R/W	0
FF_LINE_END_F0 Address: 17h	15-10	Not Used			
	9-0	FF_LINE_END_F0[9:0]	Field 0 Full Field end line data used to set EDH calculation range outside of RP 165 values.	R/W	0
FF_LINE_START_F1 Address: 18h	15-10	Not Used			
	9-0	FF_LINE_START_F1[9:0]	Field 1 Full Field start line data used to set EDH calculation range outside of RP-165 values.	R/W	0
FF_LINE_END_F1 Address: 19h	15-10	Not Used			
	9-0	FF_LINE_END_F1[9:0]	Field 1 Full Field end line data used to set EDH calculation range outside of RP-165 values.	R/W	0

TABLE 9 HOST INTERFACE DESCRIPTION FOR EDH FLAG REGISTER

REGISTER NAME	BIT	NAME	DESCRIPTION	R/W	DEFAULT
EDH_FLAG Address: 02h	15		Not Used		
	14	ANC-UES	Ancillary Unknown Error Status flag will be generated and inserted when IOPROC_EN/DIS and SMPTE_BYPASS pins are HIGH and EDH_CRC_INS bit is LOW.	R/W	0
	13	ANC-IDA	Ancillary Internal device error Detected Already flag will be generated and inserted when IOPROC_EN/DIS and SMPTE_BYPASS pins are HIGH and EDH_CRC_INS bit is LOW.	R/W	0
	12	ANC-IDH	Ancillary Internal device error Detected Here flag will be generated and inserted when IOPROC_EN/DIS and SMPTE_BYPASS pins are HIGH and EDH_CRC_INS bit is LOW.	R/W	0
	11	ANC-EDA	Ancillary Error Detected Already flag will be generated and inserted when IOPROC_EN/DIS and SMPTE_BYPASS pins are HIGH and EDH_CRC_INS bit is LOW.	R/W	0
	10	ANC-EDH	Ancillary Error Detected Here flag will be generated and inserted when IOPROC_EN/DIS and SMPTE_BYPASS pins are HIGH and EDH_CRC_INS bit is LOW.	R/W	0
	9	FF-UES	Full Field Unknown Error flag will be generated and inserted when IOPROC_EN/DIS and SMPTE_BYPASS pins are HIGH and EDH_CRC_INS bit is LOW.	R/W	0
	8	FF-IDA	Full Field Internal device error Detected Already flag will be generated and inserted when IOPROC_EN/DIS and SMPTE_BYPASS pins are HIGH and EDH_CRC_INS bit is LOW.	R/W	0
	7	FF-IDH	Full Field Internal device error Detected flag will be generated and inserted when IOPROC_EN/DIS and SMPTE_BYPASS pins are HIGH and EDH_CRC_INS bit is LOW.	R/W	0
	6	FF-EDA	Full Field Error Detected Already flag will be generated and inserted when IOPROC_EN/DIS and SMPTE_BYPASS pins are HIGH and EDH_CRC_INS bit is LOW.	R/W	0
	5	FF-EDH	Full Field Error Detected Here flag will be generated and inserted when IOPROC_EN/DIS and SMPTE_BYPASS pins are HIGH and EDH_CRC_INS bit is LOW.	R/W	0
	4	AP-UES	Active Picture Unknown Error Status flag will be generated and inserted when IOPROC_EN/DIS and SMPTE_BYPASS pins are HIGH and EDH_CRC_INS bit is LOW.	R/W	0
	3	AP-IDA	Active Picture Internal device error Detected Already flag will be generated and inserted when IOPROC_EN/DIS and SMPTE_BYPASS pins are HIGH and EDH_CRC_INS bit is LOW.	R/W	0
	2	AP-IDH	Active Picture Internal device error Detected Here flag will be generated and inserted when IOPROC_EN/DIS and SMPTE_BYPASS pins are HIGH and EDH_CRC_INS bit is LOW.	R/W	0
	1	AP-EDA	Active Picture Error Detected Already flag will be generated and inserted when IOPROC_EN/DIS and SMPTE_BYPASS pins are HIGH and EDH_CRC_INS bit is LOW.	R/W	0
	0	AP-EDH	Active Picture Error Detected Here flag will be generated and inserted when IOPROC_EN/DIS and SMPTE_BYPASS pins are HIGH and EDH_CRC_INS bit is LOW.	R/W	0

3.6.3.4 Ancillary Data Checksum Generation and Insertion

The GS9062 will calculate checksums for all detected ancillary data packets presented to the device. These calculated checksum values are inserted into the data stream prior to serialization.

Ancillary data checksum generation and insertion will only take place if the ANC_CSUM_INS bit of the IOPROC_DISABLE register is set LOW.

3.6.3.5 TRS Generation and Insertion

The GS9062 can generate and insert 10-bit TRS code words into the data stream as required. This feature is enabled by setting the TRS_INS bit of the IOPROC_DISABLE register LOW.

TRS word generation will be performed in accordance with the timing parameters generated by the flywheel which will be locked either to the received TRS ID words or the supplied H, V, and F timing signals (see Section 3.3.1).

3.7 PARALLEL-TO-SERIAL CONVERSION

The parallel data output of the internal data processing blocks is fed to the parallel-to-serial converter. The function of this block is to generate a serial data stream from the 10-bit or 20-bit parallel data words and pass the stream to the integrated cable driver.

3.8 SERIAL DIGITAL DATA PLL

To obtain a clean clock signal for serialization and transmission, the input PCLK is locked to an external reference signal via the GS9062's integrated phase-locked loop. This PLL is also responsible for generating all internal clock signals required by the device.

Internal division ratios for the locked PCLK are determined by the setting of the 20bit/10bit pin as shown in Table 10.

TABLE 10 SERIAL DIGITAL OUTPUT RATES

20bit/10bit	SUPPLIED PCLK RATE	SERIAL DIGITAL OUTPUT RATE
HIGH	13.5MHz	270Mb/s
LOW	27MHz	270Mb/s

3.8.1 External VCO

The GS9062 requires the GO1525 external voltage controlled oscillator as part of its internal PLL.

Power for the external VCO is generated entirely by the GS9062 from an integrated voltage regulator. The internal regulator uses +3.3V supplied on the CP_VDD / CP_GND pins to provide +2.5V on the VCO_VCC / VCO_GND pins.

The external VCO produces a reference signal for the PLL, input on the VCO pin of the device. Both reference and control signals should be referenced to the supplied VCO_GND as shown in the recommended application circuit of Section 4.1.

3.8.2 Lock Detect Output

The lock detect block controls the serial digital output signal and indicates to the application layer the lock status of the device via the LOCKED output pin.

LOCKED will be asserted HIGH if and only if the internal data PLL has locked the PCLK signal to the external VCO reference signal and one of the following is true:

1. The device is set to operate in SMPTE mode and has detected SMPTE TRS words in the serial stream; or
2. The device is set to operate in DVB-ASI mode and has detected K28.5 sync characters in the serial stream; or
3. The device is set to operate in Data-Through mode.

3.9 SERIAL DIGITAL OUTPUT

The GS9062 contains an integrated current mode differential serial digital cable driver.

To enable this output, SDO_EN/DIS must be set HIGH by the application layer. Setting the SDO_EN/DIS signal LOW will cause the SDO and SDO output pins to become high impedance, resulting in reduced device power consumption.

With suitable external return loss matching circuitry, the GS9062's serial digital outputs will provide a minimum output return loss of -15dB at 270Mb/s.

The integrated cable driver uses a separate power supply of +1.8V DC supplied via the CD_VDD and CD_GND pins.

3.9.1 Output Swing

Nominally, the voltage swing of the serial digital output is 800mVp-p single-ended into a 75Ω load. This is set externally by connecting the RSET pin to CD_VDD through 281Ω.

The output swing may be decreased by increasing the value of the RSET resistor. The relationship is approximated by the curve shown in Figure 10.

Alternatively, the serial digital output swing can drive 800mVp-p into a 50Ω load. Since the output swing is reduced by a factor of approximately one third when the smaller load is used, the RSET resistor must be 187Ω to obtain 800mVp-p.

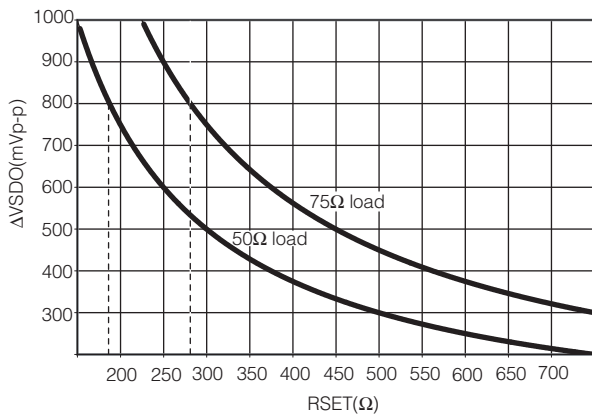


Figure 10 Serial Digital Output Swing

3.9.2 Serial Digital Output Mute

The GS9062 will automatically mute the serial digital output when the LOCKED output signal is LOW. In this case, the SDO and \overline{SDO} signals are set to a constant voltage level.

3.10 GSPI HOST INTERFACE

The GSPI, or Genum Serial Peripheral Interface, is a 4-wire interface provided to allow the host to enable additional features of the device and /or to provide additional status information through configuration registers in the GS9062.

The GSPI comprises a serial data input signal SDIN, serial data output signal SDOOUT, an active low chip select \overline{CS} , and a burst clock SCLK.

Because these pins are shared with the JTAG interface port, an additional control signal pin JTAG/ \overline{HOST} is provided. When JTAG/ \overline{HOST} is LOW, the GSPI interface is enabled.

When operating in GSPI mode, the SCLK, SDIN, and \overline{CS} signals are provided by the host interface. The SDOOUT pin is a high-impedance output allowing multiple devices to be connected in parallel and selected via the \overline{CS} input. The interface is illustrated in the Figure 11 below.

All read or write access to the GS9062 is initiated and terminated by the host processor. Each access always begins with a 16-bit command word on SDIN indicating the address of the register of interest. This is followed by a 16-bit data word on SDIN in write mode, or a 16-bit data word on SDOOUT in read mode.

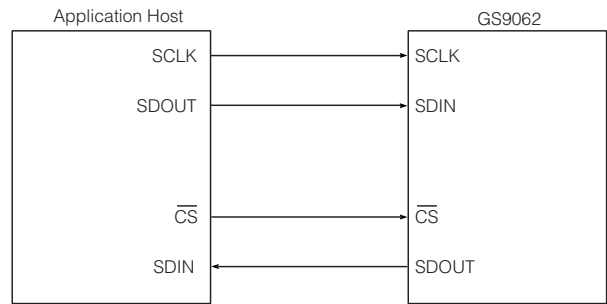


Figure 11 Genum Serial Peripheral Interface (GSPI)

3.10.1 Command Word Description

The command word is transmitted MSB first and contains a read/write bit, nine reserved bits and a 6-bit register address. Set R/W = '1' to read and R/W = '0' to write from the GSPI.

Command words are clocked into the GS9062 on the rising edge of the serial clock SCLK. The appropriate chip select signal, \overline{CS} , must be asserted low a minimum of 1.5ns (t_0 in Figure 14 and Figure 15) before the first clock edge to ensure proper operation.

Each command word must be followed by only one data word to ensure proper operation.



Figure 12 Command Word

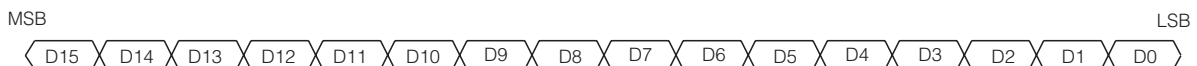


Figure 13 Data Word

3.10.2 Data Read and Write Timing

Read and write mode timing for the GSPI interface is shown in Figure 14 and Figure 15 respectively. The maximum SCLK frequency allowed is 6.6MHz.

When writing to the registers via the GSPI, the MSB of the data word may be presented to SDIN immediately following the falling edge of the LSB of the command word. All SDIN data is sampled on the rising edge of SCLK.

When reading from the registers via the GSPI, the MSB of the data word will be available on SDOOUT 12ns (t_5 in Figure 14) following the falling edge of the LSB of the command word, and thus may be read by the host on the very next rising edge of the clock. The remaining bits are clocked out by the GS9062 on the negative edges of SCLK.

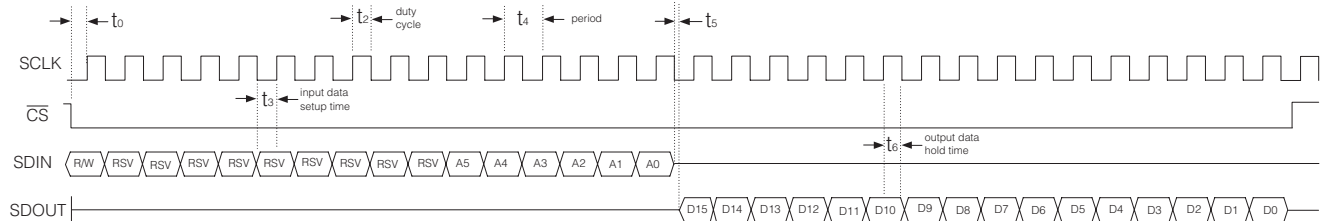


Figure 14 GSPI Read Mode Timing

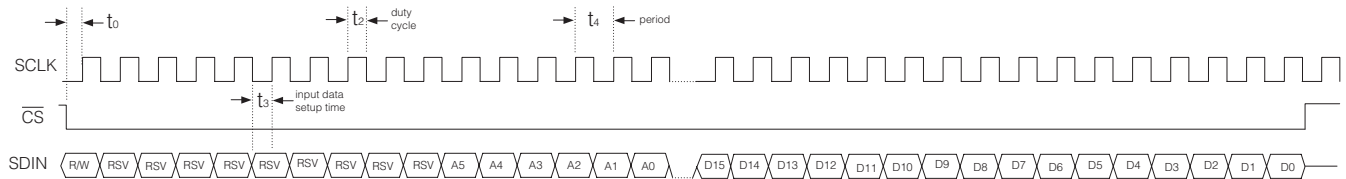


Figure 15 GSPI Write Mode Timing

3.10.3 Configuration and Status Registers

Table 11 summarizes the GS9062's internal status and configuration registers.

All of these registers are available to the host via the GSPI and are all individually addressable.

Where status registers contain less than the full 16 bits of information however, two or more registers may be combined at a single logical address.

TABLE 11 GS9062 INTERNAL REGISTERS

ADDRESS	REGISTER NAME	SEE SECTION
00h	IOPROC_DISABLE	Section 3.6.3
02h	EDH_FLAG	Section 3.6.3.3
04h	VIDEO_STANDARD	Section 3.6.2
0Ah - 0Bh	VIDEO_FORMAT	Section 3.6.3.1
0Eh - 11h	RASTER_STRUCTURE	Section 3.6.2
12h - 19h	EDH_CALC_RANGES	Section 3.6.3.3
1Bh - 1Ch	LINE_352M	Section 3.6.3.1

3.11 JTAG

When the JTAG/ $\overline{\text{HOST}}$ input pin of the GS9062 is set HIGH, the host interface port will be configured for JTAG test operation. In this mode, pins 27 through 30 become TMS, TDO, TDI, and TCK. In addition, the $\overline{\text{RESET_TRST}}$ pin will operate as the test reset pin.

Boundary scan testing using the JTAG interface will be enabled in this mode.

There are two methods in which JTAG can be used on the GS9062:

1. As a stand-alone JTAG interface to be used at in-circuit ATE (Automatic Test Equipment) during PCB assembly; or
2. Under control of the host for applications such as system power on self tests.

When the JTAG tests are applied by ATE, care must be taken to disable any other devices driving the digital I/O pins. If the tests are to be applied only at ATE, this can be accomplished with tri-state buffers used in conjunction with the JTAG/ $\overline{\text{HOST}}$ input signal. This is shown in Figure 16.

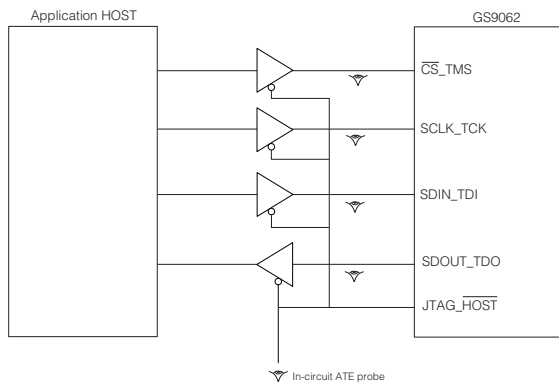


Figure 16 In-Circuit JTAG

Alternatively, if the test capabilities are to be used in the system, the host may still control the JTAG/ $\overline{\text{HOST}}$ input signal, but some means for tri-stating the host must exist in order to use the interface at ATE. This is represented in Figure 17.

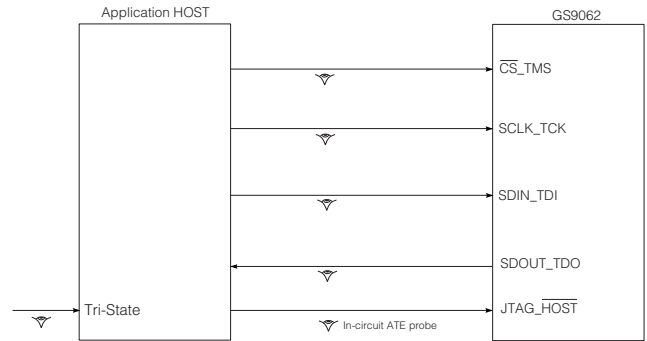


Figure 17 System JTAG

Please contact your Gennum representative to obtain the BSDL model for the GS9062.

3.12 DEVICE POWER UP

Because the GS9062 is designed to operate in a multi-volt environment, any power up sequence is allowed. The charge pump, phase detector, core logic, serial digital output buffers and digital I/O buffers should all be powered up within 1ms of one another.

Device pins may also be driven prior to power up without causing damage.

To ensure that all internal registers are cleared upon power-up, the application layer must hold the $\overline{\text{RESET_TRST}}$ signal LOW for a minimum of 1ms after the core power supply has reached the minimum level specified in the DC Electrical Characteristics Table. See Section 2.2. See Figure 18.

3.13 DEVICE RESET

In order to initialize all internal operating conditions to their default states the application layer must hold the $\overline{\text{RESET_TRST}}$ signal LOW for a minimum of $t_{\text{reset}} = 1\text{ms}$.

When held in reset, all device outputs will be driven to a high-impedance state.

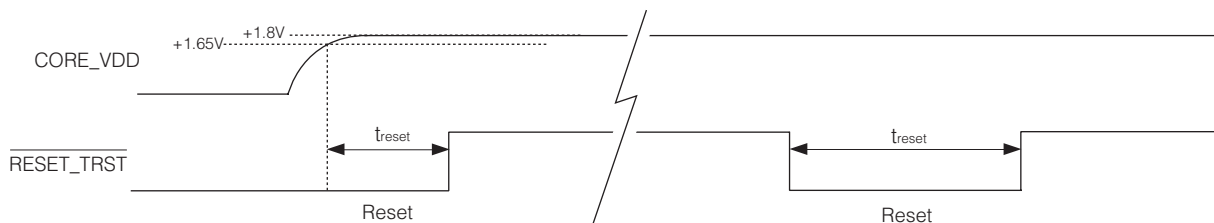


Figure 18 Reset Pulse

5. REFERENCES & RELEVANT STANDARDS

- SMPTE 125M Component video signal 4:2:2 – bit parallel interface
- SMPTE 291M Ancillary Data Packet and Space Formatting
- SMPTE 293M 720 x 483 active line at 59.94 Hz progressive scan production – digital representation
- SMPTE 352M Video Payload Identification for Digital Television Interfaces
- SMPTE RP165 Error Detection Checkwords and Status Flags for Use in Bit-Serial Digital Interfaces for Television
- SMPTE RP168 Definition of Vertical Interval Switching Point for Synchronous Video Switching

6. PACKAGE & ORDERING INFORMATION

6.1 PACKAGE DIMENSIONS

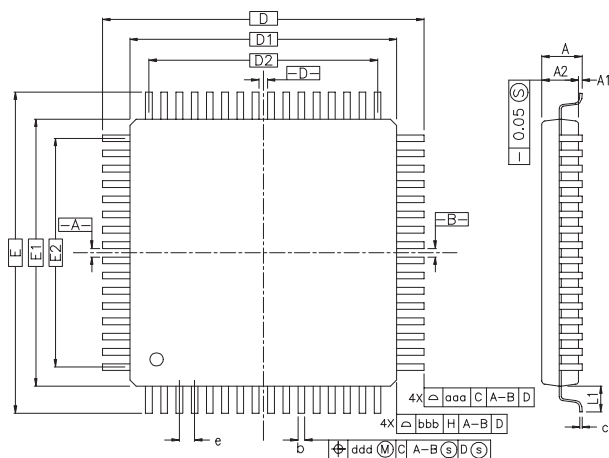


Table X

SYMBOL	MILLIMETER			INCH		
	MIN.	NOM.	MAX.	MIN.	NOM.	MAX.
A	—	—	1.60	—	—	0.063
A1	0.05	—	0.15	0.002	—	0.006
A2	1.35	1.40	1.45	0.053	0.055	0.057
D	16.00 BSC.		—	0.630 BSC.		—
D1	14.00 BSC.		—	0.551 BSC.		—
E	16.00 BSC.		—	0.630 BSC.		—
E1	14.00 BSC.		—	0.551 BSC.		—
R2	0.08	—	0.20	0.003	—	0.008
R1	0.08	—	—	0.003	—	—
θ	0°	3.5°	7°	0°	3.5°	7°
θ_1	0°	—	—	0°	—	—
θ_2	11°	12°	13°	11°	12°	13°
θ_3	11°	12°	13°	11°	12°	13°
c	0.09	—	0.20	0.004	—	0.008
L	0.45	0.60	0.75	0.018	0.024	0.030
L1	1.00 REF		—	0.039 REF		—
S	0.20	—	—	0.008	—	—

CONTROL DIMENSIONS ARE IN MILLIMETERS.

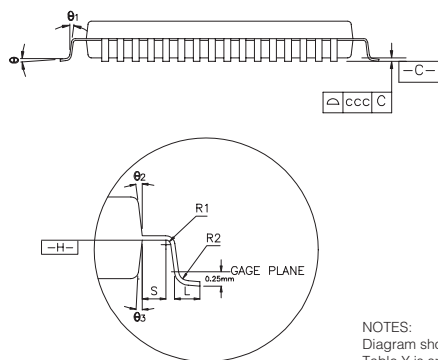


Table Y

SYMBOL	80L					
	MILLIMETER			INCH		
	MIN	NOM	MAX	MIN	NOM	MAX
b	0.22	0.30	0.38	0.009	0.012	0.015
e	0.65 BSC			0.026 BSC		
D2	12.35			0.486		
E2	12.35			0.486		
TOLERANCES OF FORM AND POSITION						
aaa	0.20			0.008		
bbb	0.20			0.008		
ccc	0.10			0.004		
ddd	0.13			0.005		

NOTES:
Diagram shown is representative only. Table X is fixed for all pin sizes, and Table Y is specific to the 80-pin package.

1. DIMENSIONS D1 AND E1 DO NOT INCLUDE MOLD PROTRUSION. ALLOWABLE PROTRUSION IS 0.25mm PER SIDE. D1 AND E1 ARE MAXIMUM PLASTIC BODY SIZE DIMENSIONS INCLUDING MOLD MISMATCH.
2. DIMENSION b DOES NOT INCLUDE DAMBAR PROTRUSION. ALLOWABLE DAMBAR PROTRUSION SHALL NOT CAUSE THE LEAD WIDTH TO EXCEED THE MAXIMUM b DIMENSION BY MORE THAN 0.08mm. DAMBAR CAN NOT BE LOCATED ON THE LOWER RADIUS OR THE FOOT. MINIMUM SPACE BETWEEN PROTRUSION AND AN ADJACENT LEAD IS 0.07mm FOR 0.4mm AND 0.5mm PITCH PACKAGES.

6.2 ORDERING INFORMATION


PART NUMBER	PACKAGE	TEMPERATURE RANGE
GS9062-CF	80-pin LQFP	0°C to 70°C

7. REVISION HISTORY

VERSION	ECR	DATE	CHANGES AND/OR MODIFICATIONS
A	120604	July 2002	New document.
B	126380	September 2002	Update AC/DC parameters. Correct pin descriptions. Add reflow profile. Insert I/O diagrams. Add JTAG information.
0	130132	July 2003	Upgrade to preliminary data sheet. Reformat detailed description and expand information. AC/DC parameters updated. Reset Operation clarified. Edit pin descriptions. Correct register addresses.

DOCUMENT IDENTIFICATION
 PRELIMINARY DATA SHEET
 The product is in a preproduction phase and specifications are subject to change without notice.

CAUTION
 ELECTROSTATIC SENSITIVE DEVICES
 DO NOT OPEN PACKAGES OR HANDLE EXCEPT AT A STATIC-FREE WORKSTATION



GENNUM CORPORATION

MAILING ADDRESS:
 P.O. Box 489, Stn. A, Burlington, Ontario, Canada L7R 3Y3
 Tel. +1 (905) 632-2996 Fax. +1 (905) 632-5946

SHIPPING ADDRESS:
 970 Fraser Drive, Burlington, Ontario, Canada L7L 5P5

GENNUM JAPAN CORPORATION
 Shinjuku Green Tower Building 27F, 6-14-1, Nishi Shinjuku,
 Shinjuku-ku, Tokyo, 160-0023 Japan
 Tel. +81 (03) 3349-5501, Fax. +81 (03) 3349-5505

GENNUM UK LIMITED
 25 Long Garden Walk, Farnham, Surrey, England GU9 7HX
 Tel. +44 (0)1252 747 000 Fax +44 (0)1252 726 523

Gennum Corporation assumes no responsibility for the use of any circuits described herein and makes no representations that they are free from patent infringement.
 © Copyright May 2002 Gennum Corporation. All rights reserved. Printed in Canada.