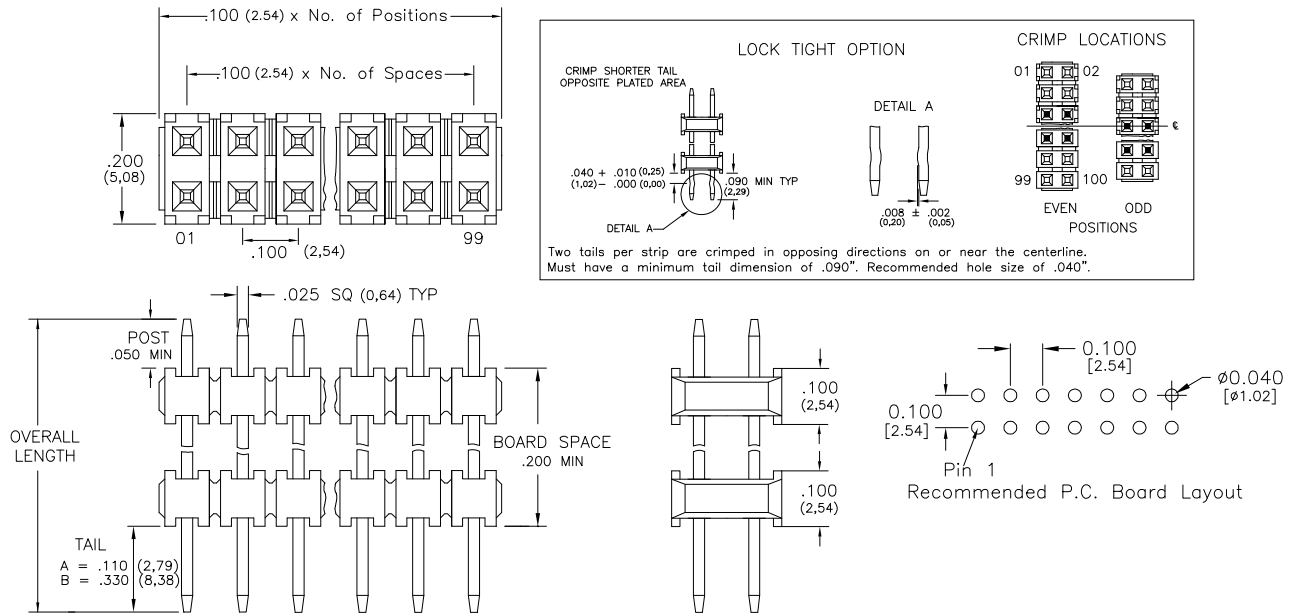
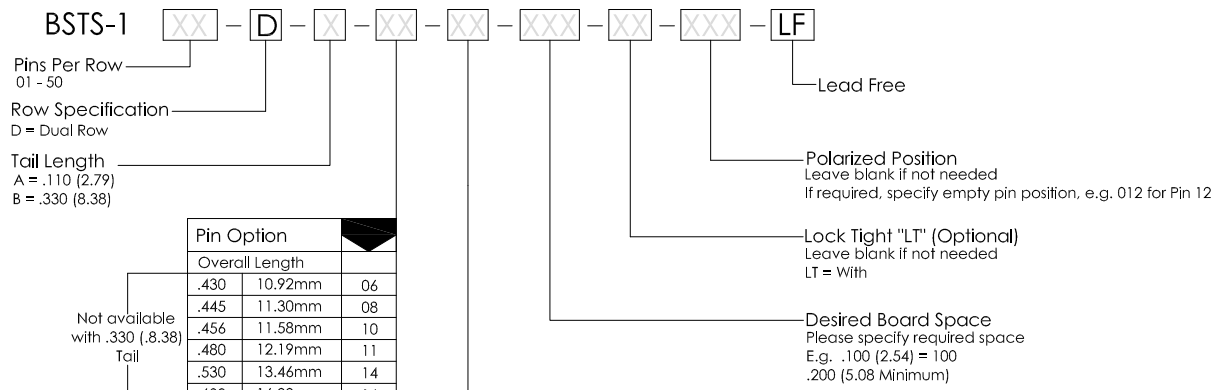


Major League Electronics .100 cl Board Stacker Terminal Strips



Tails may be clipped to achieve desired pin length

Ordering Information



| Pin Option | | |
|----------------|---------|----|
| Overall Length | | |
| .430 | 10.92mm | 06 |
| .445 | 11.30mm | 08 |
| .456 | 11.58mm | 10 |
| .480 | 12.19mm | 11 |
| .530 | 13.46mm | 14 |
| .630 | 16.00mm | 16 |
| .730 | 18.54mm | 20 |
| .830 | 21.08mm | 22 |
| .930 | 23.62mm | 24 |
| 1.030 | 26.16mm | 26 |
| 1.130 | 28.70mm | 28 |
| 1.230 | 31.24mm | 30 |
| 1.330 | 33.78mm | 32 |
| 1.430 | 36.32mm | 34 |
| 1.530 | 38.86mm | 36 |

Not available with .330 (8.38) Tail

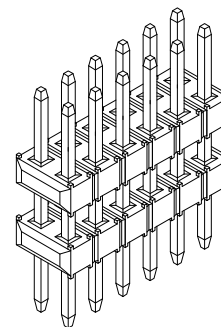
| Plating Options | |
|-----------------|--|
| G | - 10µ Gold on Contact area/Flash on Tail |
| T | - Matte Tin all Over |
| GT | - 10µ Gold on Contact Area / Matte Tin on Tail |
| H | - 30µ Gold on Contact Area / Matte Tin on Tail |
| F | - Gold Flash Over Entire Pin |

Specifications

- Current Rating: 3.0 Ampere
- Insulation Resistance: 1000MΩ Min.
- Dielectric Withstanding: 600V AC
- Contact Resistance: 20 mΩ Max.
- Operating Temperature: -40°C to + 105°C
- Max. Process Temperature:
 - Peak: 260°C up to 20 secs.
 - Process: 230°C up to 60 secs.
 - Wave: 260°C up to 6 secs.
 - Manual Solder: 350°C up to 5 secs.

Materials

- Contact Material: Phosphor Bronze
- Insulator Material: Nylon 6T
- Plating: Au or Sn over 50µ" (1,27) Ni



Mates with:

- BCSS,
- BSSH,
- BSSHC,
- BSSQ,
- BSSQC,
- BSSQM,
- LBCSS,
- LSMBC,
- LSWSS,
- SMBC,
- SSHQ,
- SSHQR,
- SSHR,
- SSHS,
- SSHSM

Products cut to specific sizes are uncancellable/nonreturnable

Parts are subject to change without notice

BSTS-1-D SERIES

.100 cl Dual Row
Board Stacker Terminal Strips

05 JAN 07

Scale
NTS

UNLESS OTHERWISE SPECIFIED
DIMENSIONS IN INCHES (MM)
TOLERANCES ARE:

ONE PLACE DECIMALS ±.100
TWO PLACE DECIMALS ±.010
THREE PLACE DECIMALS ±.005
FOUR PLACE DECIMALS ±.0020
ANGLES
±5°



4235 Earnings Way, New Albany, Indiana, 47150, USA
1-800-782-3486 (USA/Canada/Mexico)

Tel: 812-944-7244
Fax: 812-944-7268

E-mail: mle@mlelectronics.com
Web: www.mlelectronics.com

Edition
1

Sheet
1/1