



2.00 by 2.25mm
(.079 by .089") Pitch
VHDM® L-Series

VHDM L-Series backplane connector is an open-pin field version of the VHDM system. This connector system contains no ground plane shields. It uses the same stiffener as VHDM, allowing designers to customize configurations to meet specific performance requirements while still achieving cost efficiencies. VHDM®, VHDM-HSD™ and VHDM L-Series wafers can be used on the same connector, enabling customers to achieve the required combination of high-speed and low-speed connections. The VHDM L-Series offers electrical performance up to 1 Gbps. The VHDM L-Series line is compatible with existing signal wafer, power, guidance and keying features of the VHDM product family.

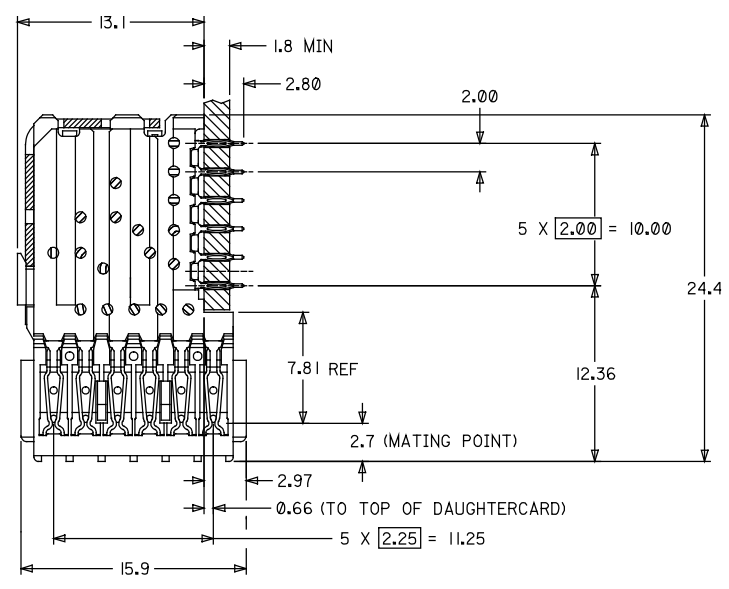
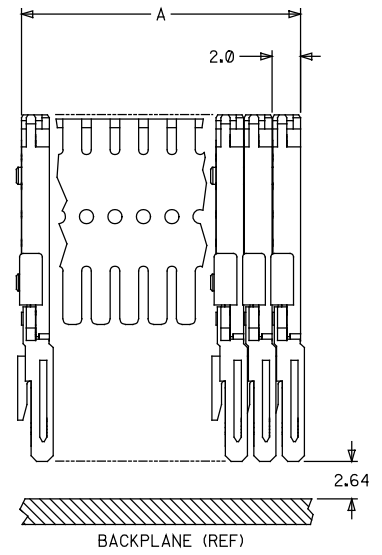
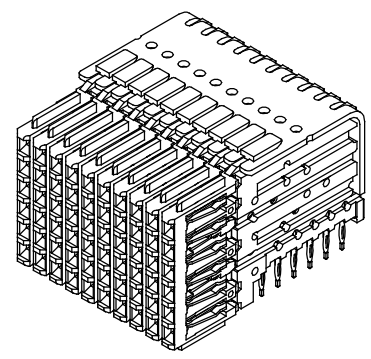
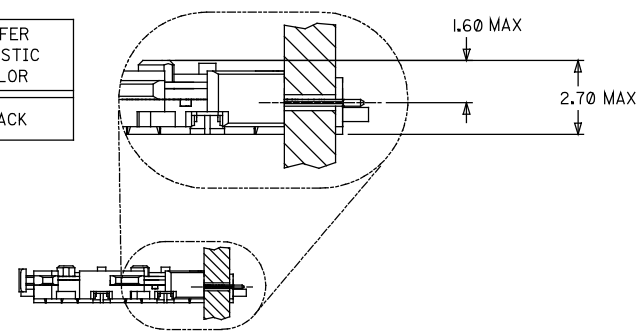
The VHDM L-Series 8-Row connector provides 101 signals per linear inch. The 6-Row connector provides 76 signals per linear inch. Daughtercard wafers are available in 5-column increments for mating with backplane modules in 10 and 25 column configurations. The VHDM L-Series line will also be available in a 6-row right angle male configuration, ideal for coplanar and cable-to-board applications.

6-Row and 8-Row

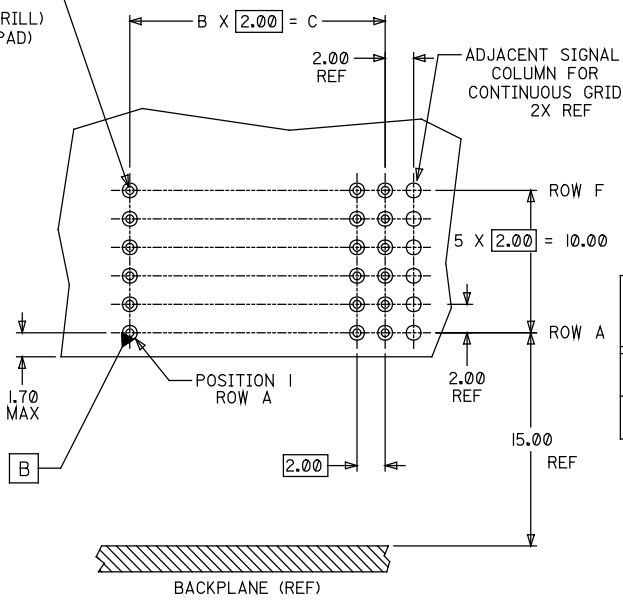
NOTES: (UNLESS OTHERWISE SPECIFIED)

- MATERIALS: HOUSING - LIQUID CRYSTAL POLYMER (LCP), GLASS-FILLED, UL94V-0.
TERMINALS - HIGH PERFORMANCE COPPER ALLOY.
WAFER CARRIER - BRASS.
- FINISH: SIGNAL TERMINALS - SELECTIVE GOLD (Au) IN CONTACT AREA,
SELECTIVE TIN/LEAD (Sn/Pb) ON PCB TAILS,
NICKEL (Ni) OVERALL.
WAFER CARRIER - NICKEL (Ni) OVERALL
- REFER TO MOLEX PRODUCT SPECIFICATION PS-74031-999 FOR PERFORMANCE SPECIFICATIONS.
- SIGNAL WAFERS SUPPLIED ON STAINLESS STEEL STIFFENER IN GROUPS OF 10 OR 25 ONLY.

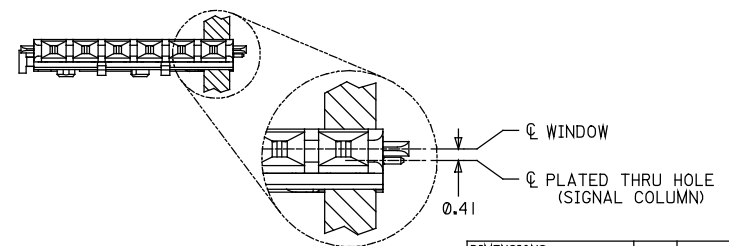
MATERIAL NUMBER	MINIMUM GOLD PLATING	WAFER PLASTIC COLOR
75187-0005	0.00076mm (30uIN)	BLACK



⊕ Ø0.10 B
Ø0.56±0.05 PTH
(Ø0.66 DRILL)
(Ø1.00 PAD)



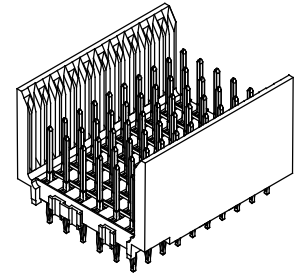
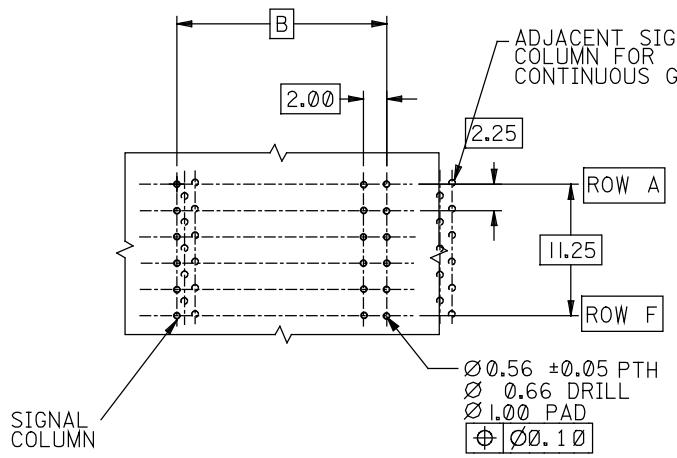
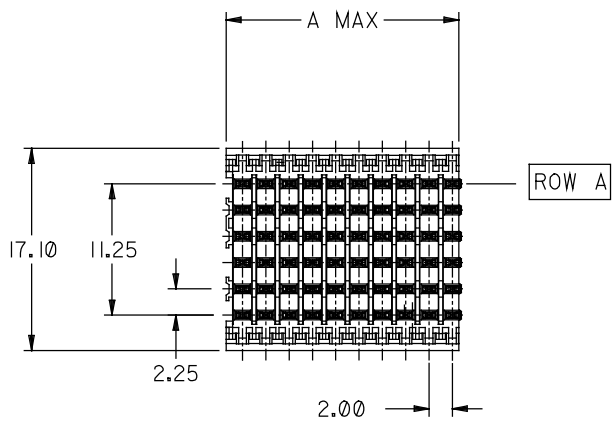
NUMBER OF SIGNAL WAFERS	A	B	C
10	20.0	9	18.00
25	50.0	24	48.00



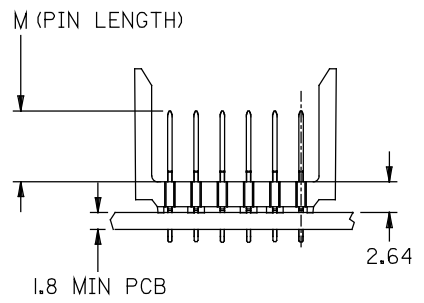
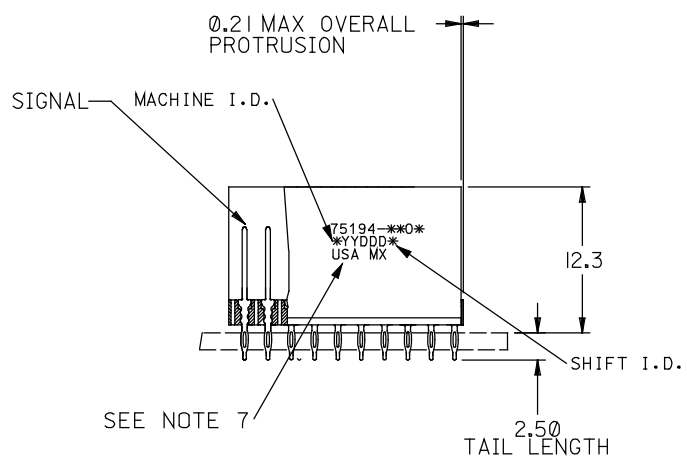
DAUGHTERCARD HOLE PATTERN (CONNECTOR SIDE)

RELEASED EC NO. LCP2003-0558 DRWN: BANDURA 02/12/10 CHK: LAURX 02/12/11 APPR: BIXLER 02/12/12	QUALITY SYMBOLS MAJOR CRITICAL	GENERAL TOLERANCES: (UNLESS SPECIFIED)	SCALE 4 : 1	DESIGN UNITS ☑ mm ☐ INCH	DIMENSIONS: ☐ mm ☐ INCH ☑ mm ONLY	SHT REV
		4 PLACES ±0. -- ±. -- 3 PLACES ±0. -- ±. -- 2 PLACES ±0.13 ±. -- 1 PLACE ±0.25 ±. --	DRAWN BY & DATE BANDURA 02/12/10 CHECKED BY & DATE LAURX 02/12/11 APPROVED BY & DATE BIXLER 02/12/12 CAD FILENAME	TITLE: VHDM L SERIES 6 ROW DAUGHTERCARD SIGNAL WAFER SALES DRAWING	MOLEX MATERIAL NO. SEE CHART	DRAWING NO. SD-75187-001
DRAFT WHERE APPLICABLE MUST REMAIN WITHIN DIMENSIONS		THIS DRAWING CONTAINS INFORMATION THAT IS PROPRIETARY TO MOLEX INCORPORATED AND SHOULD NOT BE USED WITHOUT WRITTEN PERMISSION.				

F
E
D
C
B
A



BACKPLANE HOLE PATTERN
RECOMMENDED DIMENSIONS



NOTES:

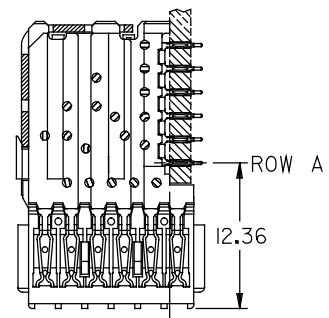
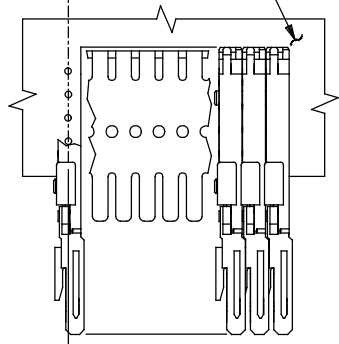
1. MATERIALS:
HOUSING - LIQUID CRYSTAL POLYMER (LCP), GLASS-FILLED, UL 94V-0, COLOR: BLACK.
SIGNAL PIN - COPPER ALLOY.
2. FINISHES:
SELECTIVE GOLD (Au) IN CONTACT AREA;
SELECTIVE TIN/LEAD (Sn/Pb) ON PCB TAILS AND NICKEL (Ni) OVERALL.
3. THIS PART CONFORMS TO MOLEX PRODUCT SPECIFICATION PS-74031-999
4. FOR MIXED CONTACT MATING LENGTHS. CONSULT MOLEX FOR AVAILABILITY.
5. FOR SPECIFIC MATERIAL NUMBERS AND MATING INFORMATION REFER TO SHEET 2.
6. PACKAGE PER PK-74057-003.
7. EITHER MARK PARTS WITH PART NUMBER AND DATE CODE APPROXIMATELY WHERE SHOWN OR PLACE LABEL ON HTE TUBE.

2	A
1	A
SHT	REV
REVISE ON CAD ONLY	

RELEASED EC NO. UCP2003-0558 DRWG: BANDURA 02/12/18 CHK: MARTIN 02/12/19 APPR: BIXLER 02/12/20 A	DESCRIPTION MAJOR CRITICAL C	GENERAL TOLERANCES: (UNLESS SPECIFIED)	SCALE 2.5: 1	DESIGN UNITS <input checked="" type="checkbox"/> mm <input type="checkbox"/> INCH	THIRD ANGLE PROJECTION <input checked="" type="checkbox"/> THIRD ANGLE	DIMENSIONS: <input type="checkbox"/> mm <input type="checkbox"/> INCH <input checked="" type="checkbox"/> mm ONLY		SHT 2	REV A	
		4 PLACES ±0. -- ±.	DRAWN BY & DATE BANDURA 02/12/18	TITLE: VHDM L SERIES 6 ROW BACKPLANE OPEN ENDS SALES DRAWING				MOLEX INCORPORATED		
		3 PLACES ±0. -- ±.	CHECKED BY & DATE MARTIN 02/12/19	APPROVED BY & DATE BIXLER 02/12/20				MATERIAL NO. SEE CHART	DRAWING NO. SD-75194-001	SHEET NO. 1 OF 2
		2 PLACES ±0. -- ±. 1 PLACE ±0. -- ±. ANGULAR: ±1/2°	DRAFT WHERE APPLICABLE MUST REMAIN WITHIN DIMENSIONS	CAD FILENAME	THIS DRAWING CONTAINS INFORMATION THAT IS PROPRIETARY TO MOLEX INCORPORATED AND SHOULD NOT BE USED WITHOUT WRITTEN PERMISSION.					

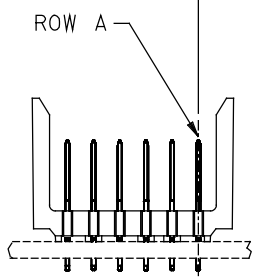
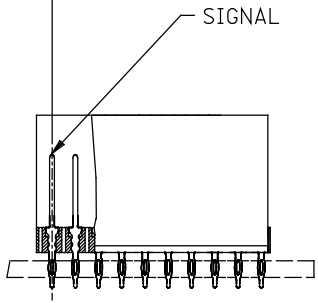
PART NUMBER	COLUMN	NUMBER OF SIGNAL PIN	NUMBER OF SHIELD	A MAX	B	M	Au (um) THICKNESS	Sn/Pb (um) THICKNESS
75194-1001	10	60	0	20.00	18.00	4.75	0.76	0.38-1.52
75194-2501	25	150	0	50.00	48.00		---	
75194-1002	10	60	0	20.00	18.00	6.25	0.76	
75194-2502	25	150	0	50.00	48.00		---	
75194-1003	10	60	0	20.00	18.00	4.25	0.76	
75194-2503	25	150	0	50.00	48.00		---	
75194-1004	10	60	0	20.00	18.00	5.15	0.76	
75194-2504	25	150	0	50.00	48.00		---	

SIGNAL COLUMN
DAUGHTERCARD CONNECTOR SIDE



0.41 OFFSET SIGNAL TO SIGNAL

0.66 TOP DAUGHTERCARD PCB TO ROW A



DD-MMM-YYYY
HHMM
WORKAREA
PLOT
GRP***USERNAME***

RELEASED
EC NO: LCP2003-0558
DRAWN BANDURA 02/12/18
CHK: MARTIN 02/12/19
APPR: BIXLER 02/12/20

QUALITY SYMBOLS	DESCRIPTION
MAJOR ▲=0	
CRITICAL ▽=0	
C=0	

GENERAL TOLERANCES: (UNLESS SPECIFIED)	
mm	INCH
4 PLACES ±0. -- ±.	
3 PLACES ±0. -- ±.	
2 PLACES ±0. -- ±.	
1 PLACE ±0. -- ±.	
ANGULAR: ±1/2°	

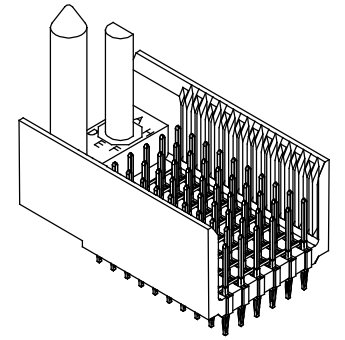
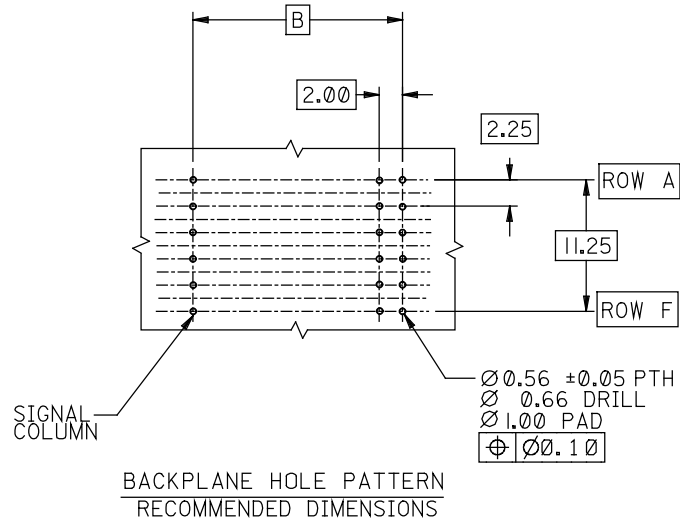
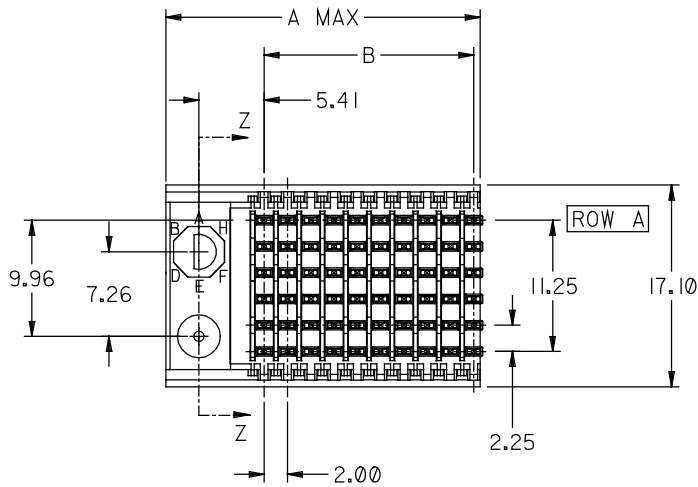
SCALE	DESIGN UNITS
2.5:1	<input checked="" type="checkbox"/> mm <input type="checkbox"/> INCH
DRAWN BY & DATE BANDURA 02/12/18	
CHECKED BY & DATE MARTIN 02/12/19	
APPROVED BY & DATE BIXLER 02/12/20	
CAD FILENAME	

DIMENSIONS:		SHT	REV
<input type="checkbox"/> mm	<input type="checkbox"/> INCH		
<input type="checkbox"/> mm	<input type="checkbox"/> INCH		
<input checked="" type="checkbox"/> mm ONLY			
THIRD ANGLE PROJECTION			
TITLE: VHDM L SERIES 6 ROW BACKPLANE OPEN END SALES DRAWING			
MOLEX INCORPORATED			
MATERIAL NO. SEE CHART	DRAWING NO. SD-75194-001	SHEET NO. 2	REVISE ON CAD ONLY

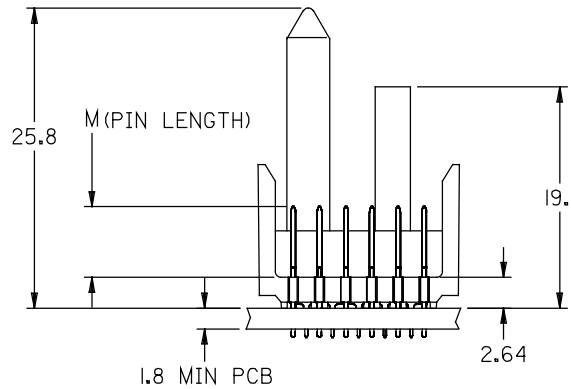
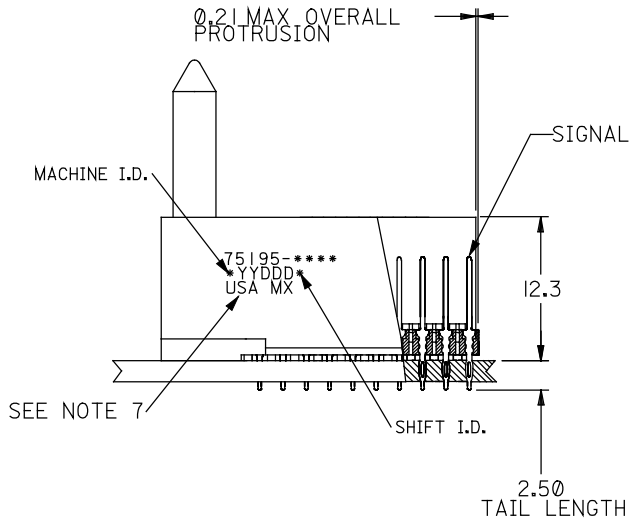
10 9 8 7 6 5 4 3 2 75195

F
E
D
C
B
A

F
E
D
C
B
A



0.21 MAX OVERALL PROTRUSION



NOTES:

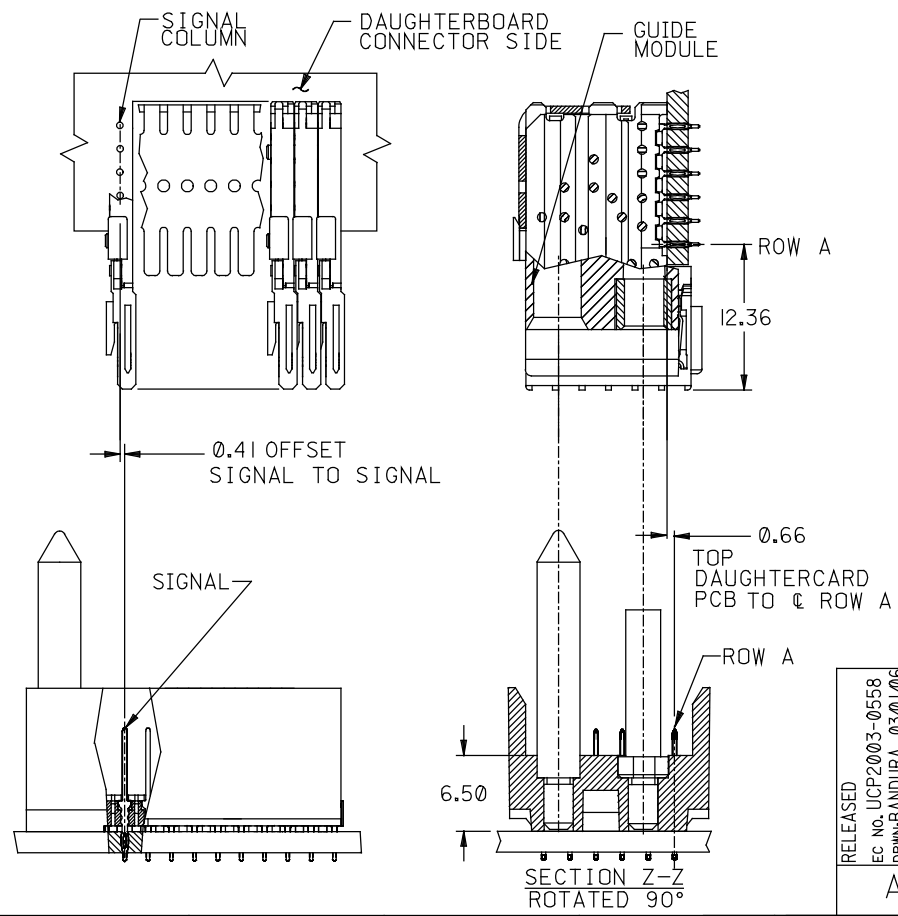
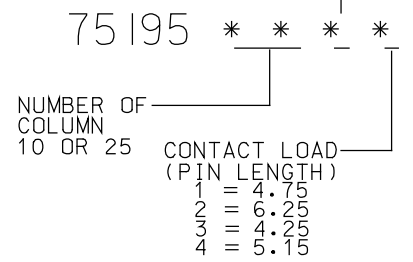
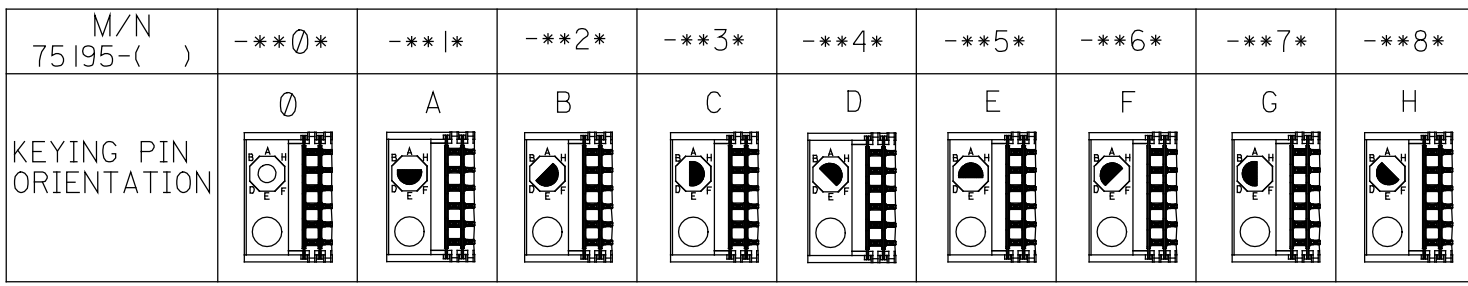
1. MATERIALS:
HOUSING - LIQUID CRYSTAL POLYMER (LCP),
GLASS-FILLED, UL 94V-0, COLOR: BLACK.
SIGNAL PIN - COPPER ALLOY.
2. FINISHES:
SELECTIVE GOLD (Au) IN CONTACT AREA;
SELECTIVE TIN/LEAD (Sn/Pb) ON PCB TAILS AND
NICKEL (Ni) OVERALL.
3. THIS PART CONFORMS TO MOLEX
PRODUCT SPECIFICATION PS-74031-999
4. FOR MIXED CONTACT MATING LENGTHS.
CONSULT MOLEX FOR AVAILABILITY.
5. FOR SPECIFIC MATERIAL NUMBERS
AND MATING INFORMATION REFER TO
SHEET 2.
6. PACKAGE PER PK-74058-003.
7. EITHER MARK PARTS WITH PART NUMBER AND DATE CODE
APPROXIMATELY WHERE SHOWN OR PLACE LABEL ON HTE TUBE.

2	A
1	A
SHT	REV
REVISE ON CAD ONLY	

RELEASED EC No. UCP2003-0558 DRWN: BANDURA 03/01/06 CHK: MARTIN 03/01/07 APPR: BIXLER 03/01/08	DESCRIPTION MAJOR CRITICAL	GENERAL TOLERANCES: (UNLESS SPECIFIED)	SCALE 2.5: 1	DESIGN UNITS <input checked="" type="checkbox"/> mm <input type="checkbox"/> INCH	THIRD ANGLE PROJECTION	DIMENSIONS: <input type="checkbox"/> mm <input type="checkbox"/> INCH <input checked="" type="checkbox"/> mm ONLY
		4 PLACES ±0. -- ±.	DRAWN BY & DATE BANDURA 03/01/06	TITLE: VHDM L SERIES		
		3 PLACES ±0. -- ±.	CHECKED BY & DATE MARTIN 03/01/07	6 ROW BACKPLANE SIGNAL (LEFT) END SALES DRAWING		
		2 PLACES ±0. -- ±.	APPROVED BY & DATE BIXLER 03/01/08	MOLEX MOLEX INCORPORATED		
1 PLACE ±0. -- ±.	ANGULAR: ± 1/2 °	DRAFT WHERE APPLICABLE MUST REMAIN WITHIN DIMENSIONS	CAD FILENAME	MATERIAL NO. SEE CHART	DRAWING NO. SD-75195-001	SHEET NO. 1 OF 2
THIS DRAWING CONTAINS INFORMATION THAT IS PROPRIETARY TO MOLEX INCORPORATED AND SHOULD NOT BE USED WITHOUT WRITTEN PERMISSION.			SIZE B			

9 8 7 6 5 4 3 2 1

10 9 8 7 6 5 4 3 2 75195



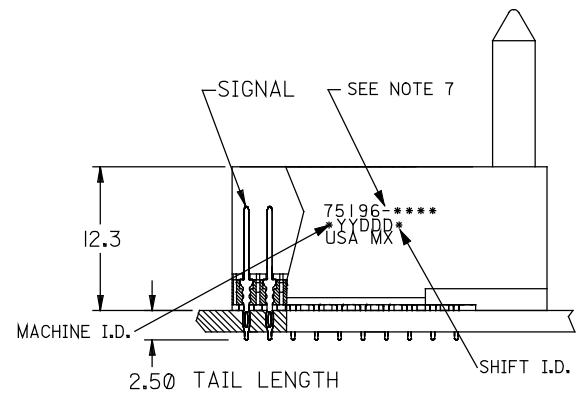
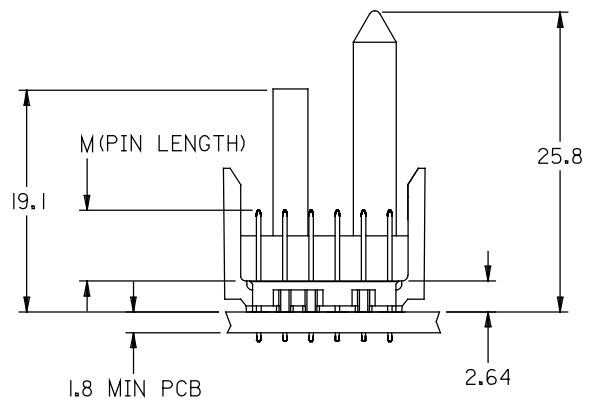
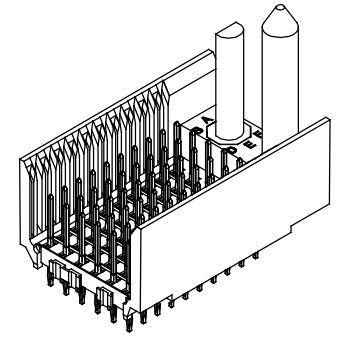
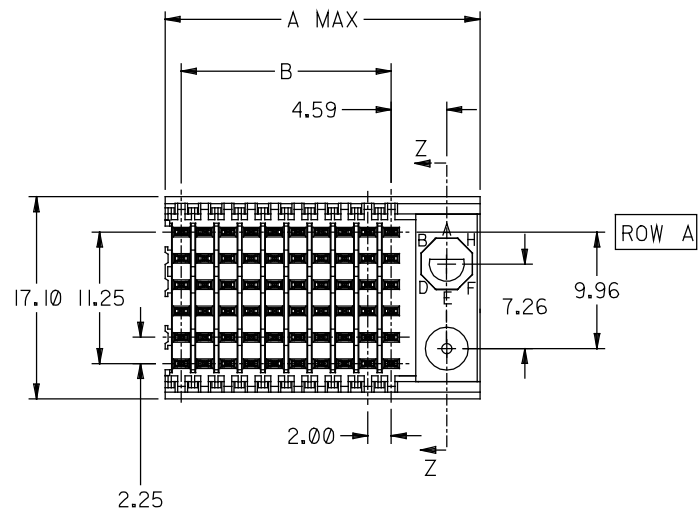
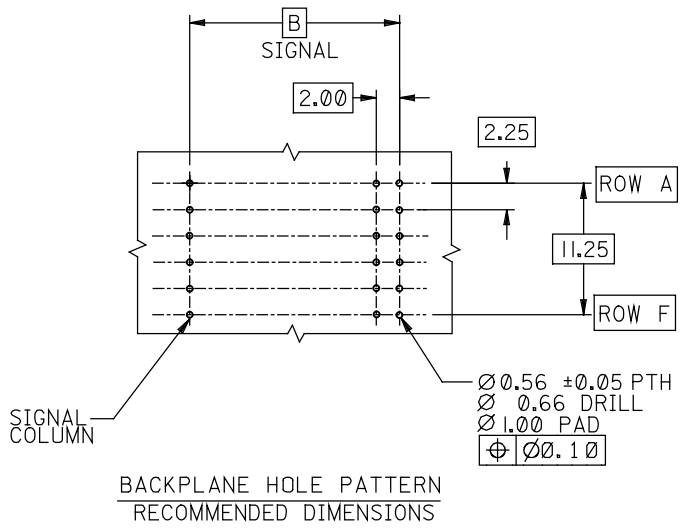
PART NUMBER	COLUMN	NUMBER OF SIGNAL PIN	NUMBER OF SHIELD	A MAX	B	M	Au (um) THICKNESS	Sn/Pb (um) THICKNESS
75195-10*1	10	60	0	27.00	18.00	4.75	0.76	0.38-1.52
75195-25*1	25	150	0	57.00	48.00		---	
75195-10*2	10	60	0	27.00	18.00	6.25	0.76	
75195-25*2	25	150	0	57.00	48.00		---	
75195-10*3	10	60	0	27.00	18.00	4.25	0.76	
75195-25*3	25	150	0	57.00	48.00		---	
75195-10*4	10	60	0	27.00	18.00	5.15	0.76	
75195-25*4	25	150	0	57.00	48.00		0.76	

RELEASED EC NO. UCP2003-0558 DRWN: BANDURA 03/01/06 CHK: MARTIN 03/01/07 APPR: BIXLER 03/01/08	DESCRIPTION MAJOR CRITICAL REV	GENERAL TOLERANCES: (UNLESS SPECIFIED)	SCALE 2:1	DESIGN UNITS <input checked="" type="checkbox"/> mm <input type="checkbox"/> INCH	THIRD ANGLE PROJECTION	DIMENSIONS: <input type="checkbox"/> mm <input type="checkbox"/> INCH <input checked="" type="checkbox"/> mm ONLY	SHT REV	
		4 PLACES ±0.-- ±. 3 PLACES ±0.-- ±. 2 PLACES ±0.-- ±. 1 PLACE ±0.-- ±.	DRAWN BY & DATE BANDURA 03/01/06	TITLE: VHDM L SERIES 6 ROW BACKPLANE SIGNAL (LEFT) END SALES DRAWING		MATERIAL NO. SEE CHART	DRAWING NO. SD-75195-001	SHEET NO. 2
		ANGLUAR: ±1/2°	CHECKED BY & DATE MARTIN 03/01/07	APPROVED BY & DATE BIXLER 03/01/08		MOLEX INCORPORATED		
		DRAFT WHERE APPLICABLE MUST REMAIN WITHIN DIMENSIONS	CAD FILENAME	THIS DRAWING CONTAINS INFORMATION THAT IS PROPRIETARY TO MOLEX INCORPORATED AND SHOULD NOT BE USED WITHOUT WRITTEN PERMISSION.				

9 8 7 6 5 4 3 2 1

F
E
D
C
B
A

F
E
D
C
B
A



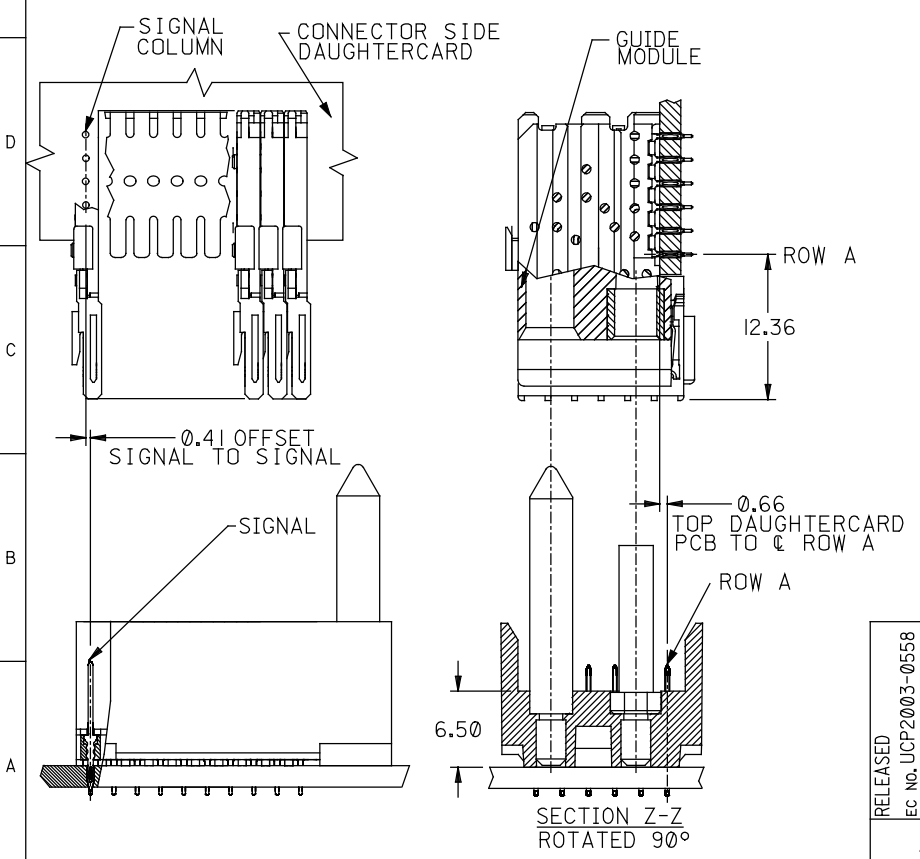
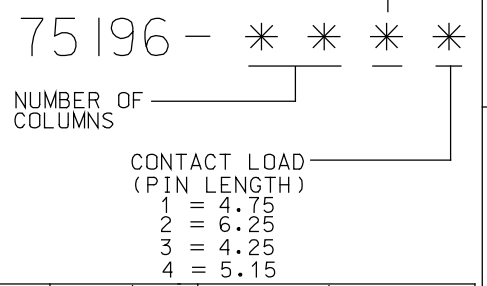
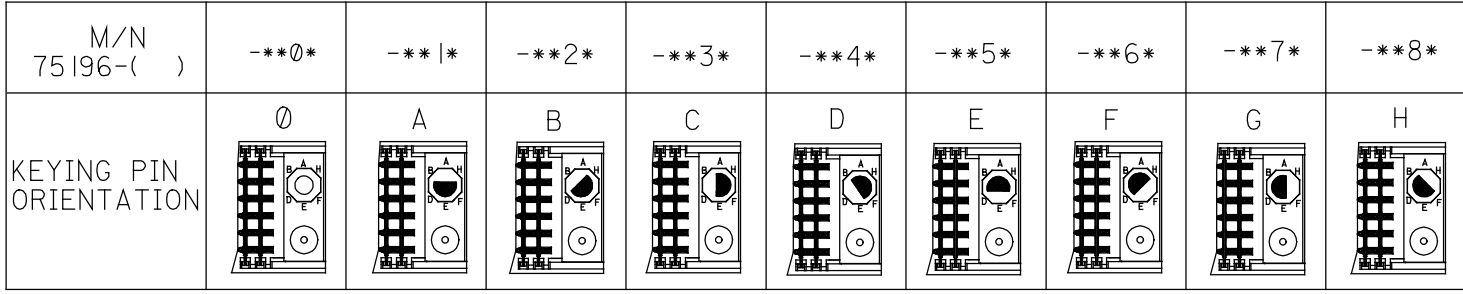
- NOTES:**
- MATERIALS:
HOUSING - LIQUID CRYSTAL POLYMER (LCP),
GLASS-FILLED, UL 94V-0, COLOR: BLACK.
SIGNAL PIN & SHIELD - COPPER ALLOY.
 - FINISHES:
SELECTIVE GOLD (Au) IN CONTACT AREA;
SELECTIVE TIN/LEAD (Sn/Pb) ON PCB TAILS AND
NICKEL (Ni) OVERALL.
 - THIS PART CONFORMS TO MOLEX
PRODUCT SPECIFICATION PS-74031-999
 - FOR MIXED CONTACT MATING LENGTHS.
CONSULT MOLEX FOR AVAILABILITY.
 - FOR SPECIFIC MATERIAL NUMBERS
AND MATING INFORMATION REFER TO
SHEET 2.
 - PACKAGE PER PK-74058-003.
 - EITHER MARK PARTS WITH PART NUMBER AND DATE CODE
APPROXIMATELY WHERE SHOWN OR PLACE LABEL ON HTE TUBE.

2	A
1	A
SHT REV	
REVISE ON CAD ONLY	

RELEASED EC No. UCP2003-0558 DRWN: BANDURA 03/01/17 CHK: MARTIN 03/01/20 APPR: BIXLER 03/01/21	DESCRIPTION MAJOR $\nabla = 0$ CRITICAL $\nabla = 0$	GENERAL TOLERANCES: (UNLESS SPECIFIED)	SCALE 2.5: 1	DESIGN UNITS <input checked="" type="checkbox"/> mm <input type="checkbox"/> INCH	THIRD ANGLE PROJECTION	DIMENSIONS: <input type="checkbox"/> mm <input type="checkbox"/> INCH <input checked="" type="checkbox"/> mm ONLY	SHT REV REVISE ON CAD ONLY
		4 PLACES ± 0.00 ±. 3 PLACES ± 0.00 ±. 2 PLACES ± 0.00 ±. 1 PLACE ± 0.00 ±.	DRAWN BY & DATE BANDURA 03/01/17	TITLE: VHDM L SERIES 6 ROW BACKPLANE SHIELD (RIGHT) END SALES DRAWING			
		ANGULAR: $\pm 1/2^\circ$	CHECKED BY & DATE MARTIN 03/01/20	MOLEX MOLEX INCORPORATED			
		DRAFT WHERE APPLICABLE MUST REMAIN WITHIN DIMENSIONS	APPROVED BY & DATE BIXLER 03/01/21	CAD FILENAME	MATERIAL NO. SEE CHART	DRAWING NO. SD-75196-001	SHEET NO. 1 OF 2

THIS DRAWING CONTAINS INFORMATION THAT IS PROPRIETARY TO MOLEX INCORPORATED AND SHOULD NOT BE USED WITHOUT WRITTEN PERMISSION.

10 9 8 7 6 5 4 3 2 75196



PART NUMBER	COLUMN	NUMBER OF SIGNAL PIN	NUMBER OF SHIELD	A MAX	B	M	Au (um) THICKNESS	Sn/Ph (um) THICKNESS
75196-10*1	10	60	0	27.00	18.00	4.75	0.76	0.38-1.52
75196-25*1	25	150	0	57.00	48.00		---	
75196-10*2	10	60	0	27.00	18.00	6.25	0.76	
75196-25*2	25	150	0	57.00	48.00		---	
75196-10*3	10	60	0	27.00	18.00	4.25	0.76	
75196-25*3	25	150	0	57.00	48.00		---	
75196-10*4	10	60	0	27.00	18.00	5.15	0.76	
75196-25*4	25	150	0	57.00	48.00		---	

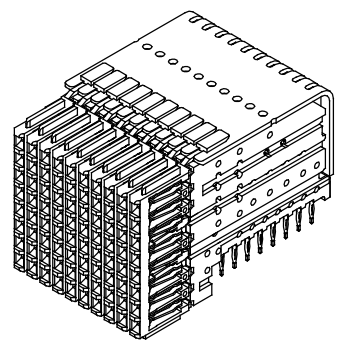
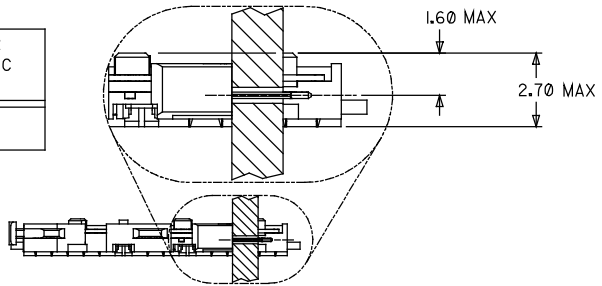
RELEASED EC No. UCP2003-0558 DRWN: BANDURA 03/01/17 CHK: MARTIN 03/01/20 APPR: BIXLER 03/01/21	DESCRIPTION MAJOR $\nabla = 0$ CRITICAL $\nabla / C = 0$	GENERAL TOLERANCES: (UNLESS SPECIFIED)	SCALE : DESIGN UNITS <input checked="" type="checkbox"/> mm <input type="checkbox"/> INCH	DIMENSIONS: <input type="checkbox"/> mm <input type="checkbox"/> INCH <input type="checkbox"/> mm ONLY	SHT REV	
		4 PLACES ± 0.00 \pm 3 PLACES ± 0.00 \pm 2 PLACES ± 0.00 \pm 1 PLACE ± 0.00 \pm	DRAWN BY & DATE BANDURA 03/01/17	TITLE: VHDM L SERIES 6 ROW BACKPLANE SHIELD (RIGHT) END SALES DRAWING		
		ANGULAR: $\pm 1/2^\circ$	CHECKED BY & DATE MARTIN 03/01/20	MATERIAL NO. MOLEX INCORPORATED SEE CHART		
		DRAFT WHERE APPLICABLE MUST REMAIN WITHIN DIMENSIONS	APPROVED BY & DATE BIXLER 03/01/21	CAD FILENAME	DRAWING NO. SD-75196-001	SHEET NO. 2

THIS DRAWING CONTAINS INFORMATION THAT IS PROPRIETARY TO MOLEX INCORPORATED AND SHOULD NOT BE USED WITHOUT WRITTEN PERMISSION.

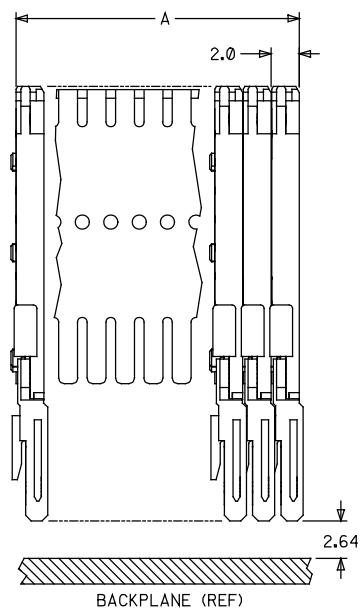
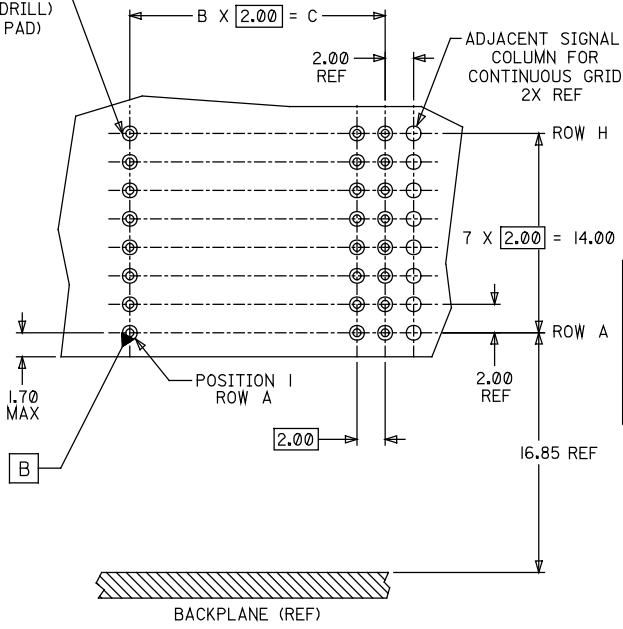
NOTES: (UNLESS OTHERWISE SPECIFIED)

- MATERIALS: HOUSING - LIQUID CRYSTAL POLYMER (LCP), GLASS-FILLED, UL94V-0.
SIGNAL TERMINALS - HIGH PERFORMANCE COPPER ALLOY.
WAFER CARRIER - BRASS.
- FINISH: SIGNAL TERMINALS - SELECTIVE GOLD (Au) IN CONTACT AREA,
SELECTIVE TIN/LEAD (Sn/Pb) ON PCB TAILS
NICKEL (Ni) OVERALL.
WAFER CARRIER - NICKEL (Ni) OVERALL.
- REFER TO MOLEX PRODUCT SPECIFICATION PS-74031-999 FOR PERFORMANCE SPECIFICATIONS.
- SIGNAL WAFERS SUPPLIED ON STAINLESS STEEL STIFFENER IN GROUPS OF 10 OR 25 ONLY.

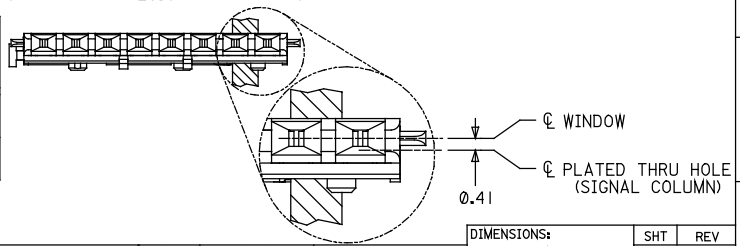
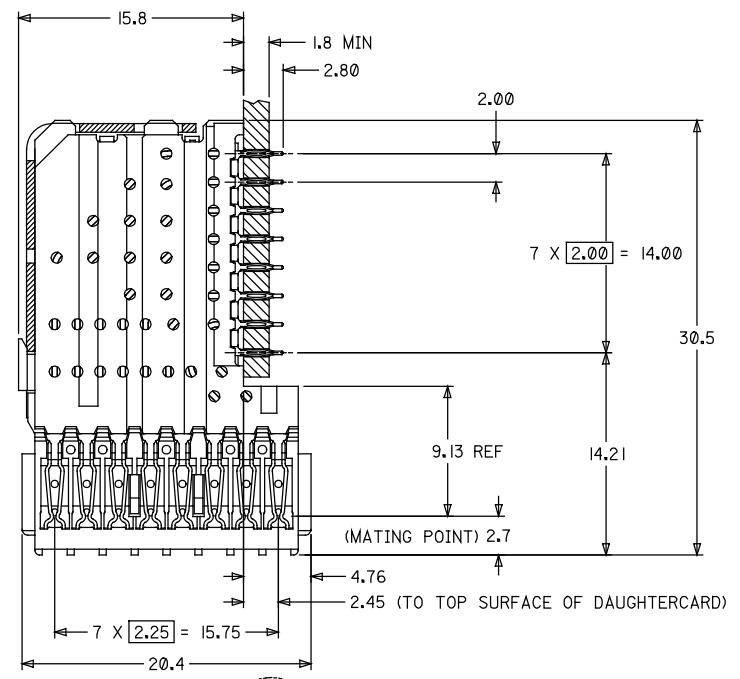
MATERIAL NUMBER	MINIMUM GOLD PLATING	WAFER PLASTIC COLOR
75188-0005	0.00076mm (30uIN)	BLACK



$\varnothing 0.10 \text{ B}$
 $\varnothing 0.56 \pm 0.05$
 PTH
 ($\varnothing 0.66$ DRILL)
 ($\varnothing 1.00$ PAD)

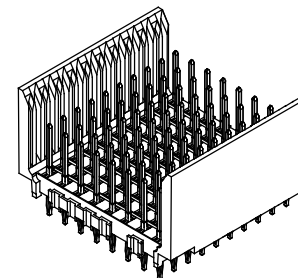
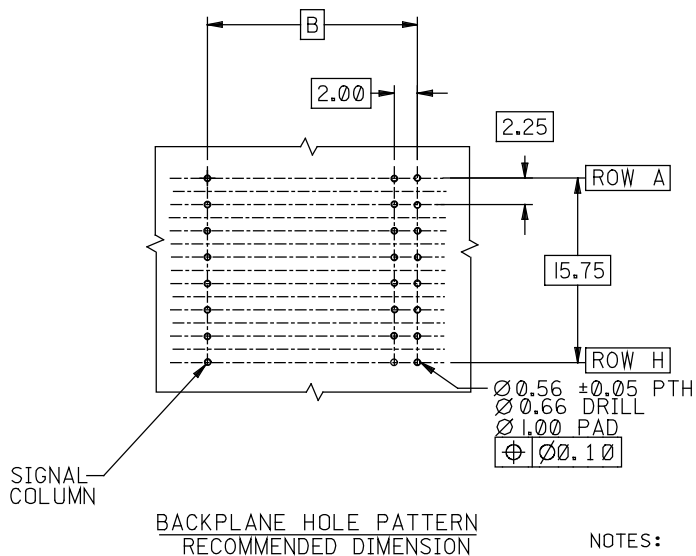
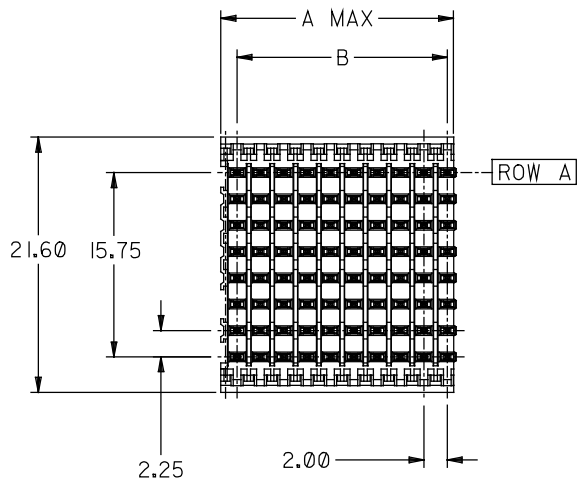


NUMBER OF SIGNAL WAFERS	A	B	C
10	20.0	9	18.00
25	50.0	24	48.00



DAUGHTERCARD HOLE PATTERN
(CONNECTOR SIDE)

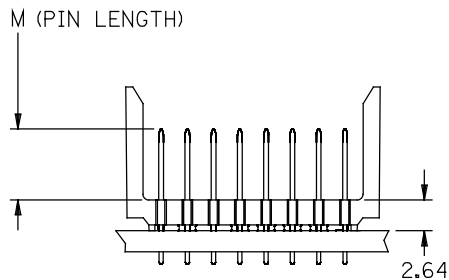
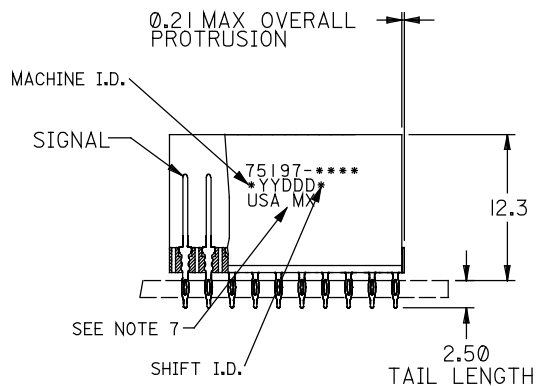
RELEASED EC NO. LCP2003-0558 DRWN: BANDURA 02/12/02 CHK: LAURX 02/12/03 APPR: BIXLER 02/12/04	QUALITY SYMBOLS MAJOR ∇ CRITICAL ∇	GENERAL TOLERANCES: (UNLESS SPECIFIED)	SCALE 4:1	DESIGN UNITS \square mm \square INCH	THIRD ANGLE PROJECTION \square mm \square INCH \square mm ONLY	SHT	REV		
		4 PLACES ± 0.13	mm INCH	DRAWN BY & DATE BANDURA 02/12/02	TITLE: VHDM L SERIES 8 ROW DAUGHTERCARD SIGNAL WAFER SALES DRAWING	REVISE ON CAD ONLY			
		3 PLACES ± 0.25	mm INCH	CHECKED BY & DATE LAURX 02/12/03	MATERIAL NO. SEE CHART	DRAWING NO. SD-75188-001	SHEET NO. 1 OF 1		
		2 PLACES ± 0.25	mm INCH	APPROVED BY & DATE BIXLER 02/12/04	CAD FILENAME	THIS DRAWING CONTAINS INFORMATION THAT IS PROPRIETARY TO MOLEX INCORPORATED AND SHOULD NOT BE USED WITHOUT WRITTEN PERMISSION.			
1 PLACE ± 0.25	mm INCH	ANGULAR $\pm 2^\circ$	DRAFT WHERE APPLICABLE MUST REMAIN WITHIN DIMENSIONS					SIZE C	



SIGNAL COLUMN

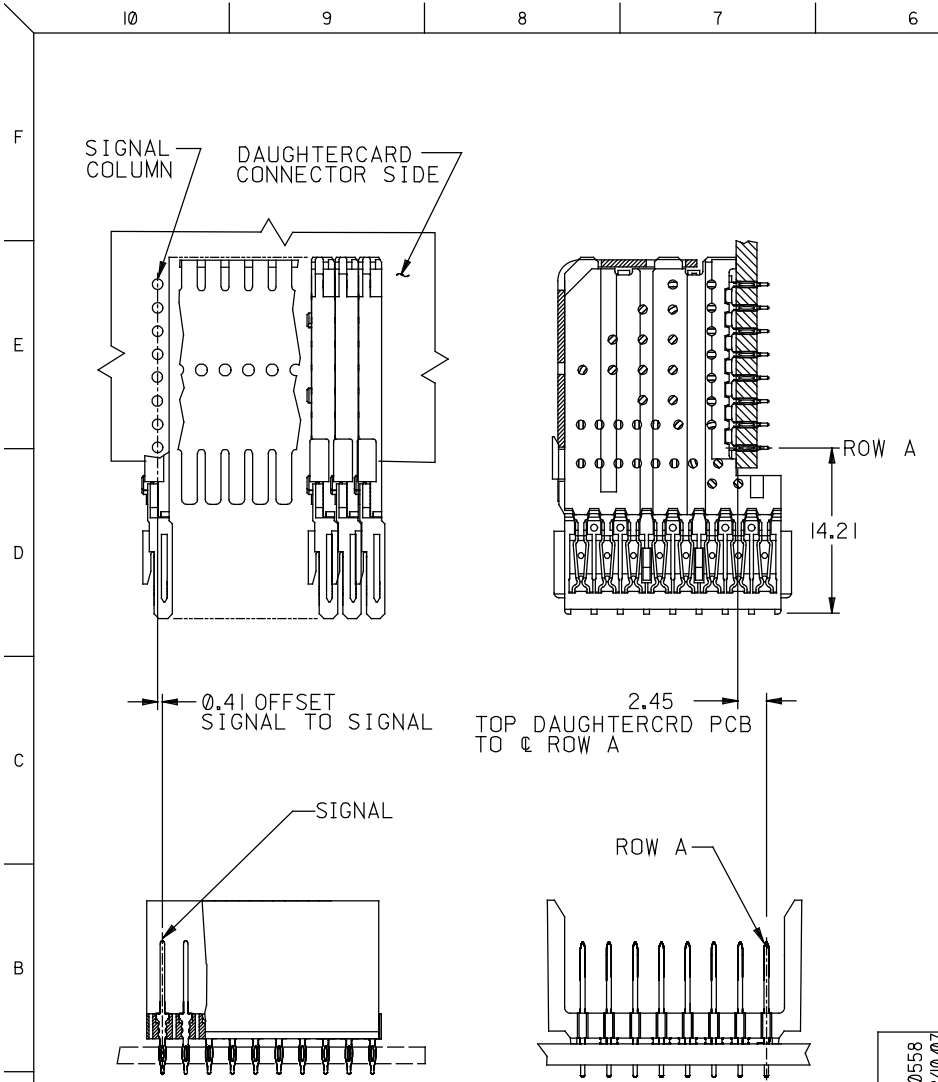
NOTES:

1. MATERIALS:
HOUSING - LIQUID CRYSTAL POLYMER (LCP),
GLASS-FILLED, UL 94V-0, COLOR: BLACK.
SIGNAL PIN - COPPER ALLOY.
2. FINISHES:
SELECTIVE GOLD (Au) IN CONTACT AREA,
SELECTIVE TIN/LEAD (Sn/Pb) ON PCB TAILS AND
NICKEL (Ni) OVERALL.
3. THIS PART CONFORMS TO MOLEX
PRODUCT SPECIFICATION PS-74031-999
4. FOR MIXED CONTACT MATING LENGTHS.
CONSULT MOLEX FOR AVAILABILITY.
5. FOR SPECIFIC MATERIAL NUMBERS
AND MATING INFORMATION REFER TO
SHEET 2.
6. PACKAGE PER PK-74060-003.
7. EITHER MARK PARTS WITH PART NUMBER AND DATE CODE
APPROXIMATELY WHERE SHOWN OR PLACE LABEL ON HTE TUBE.



2	A
1	A

RELEASED EC No. UCP2003-0558 DRWN: BANDURA 02/10/07 CHK: MARTIN 02/10/08 APPR: BIXLER 02/10/09	DESCRIPTION MAJOR CRITICAL	GENERAL TOLERANCES: (UNLESS SPECIFIED)	SCALE 2.5 : 1	DESIGN UNITS <input checked="" type="checkbox"/> mm <input type="checkbox"/> INCH	DIMENSIONS: <input type="checkbox"/> mm <input type="checkbox"/> INCH <input checked="" type="checkbox"/> mm ONLY	THIRD ANGLE PROJECTION	SHT 2	REV A
		4 PLACES ±0. -- ±.	DRAWN BY & DATE BANDURA 02/10/07	TITLE: VHDM L SERIES 8 ROW BACKPLANE OPEN ENDS SALES DRAWING			REVISE ON CAD ONLY	
		3 PLACES ±0. -- ±.	CHECKED BY & DATE MARTIN 02/10/08	MOLEX MOLEX INCORPORATED				
		2 PLACES ±0. -- ±. 1 PLACE ±0. -- ±. ANGULAR: ± -- °	APPROVED BY & DATE BIXLER 02/10/09	MATERIAL NO. SEE CHART	DRAWING NO. SD-75197-001	SHEET NO. 1 OF 2		
A	REV	DRAFT WHERE APPLICABLE MUST REMAIN WITHIN DIMENSIONS	THIS DRAWING CONTAINS INFORMATION THAT IS PROPRIETARY TO MOLEX INCORPORATED AND SHOULD NOT BE USED WITHOUT WRITTEN PERMISSION.			SIZE B		



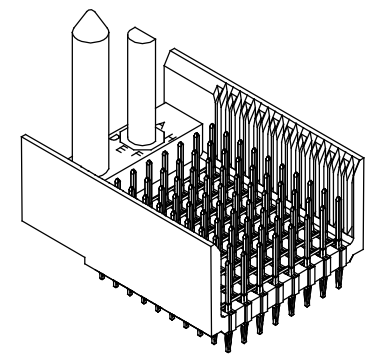
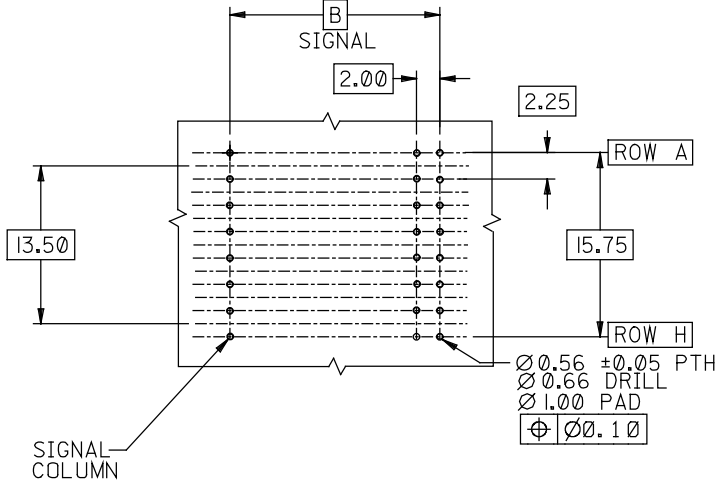
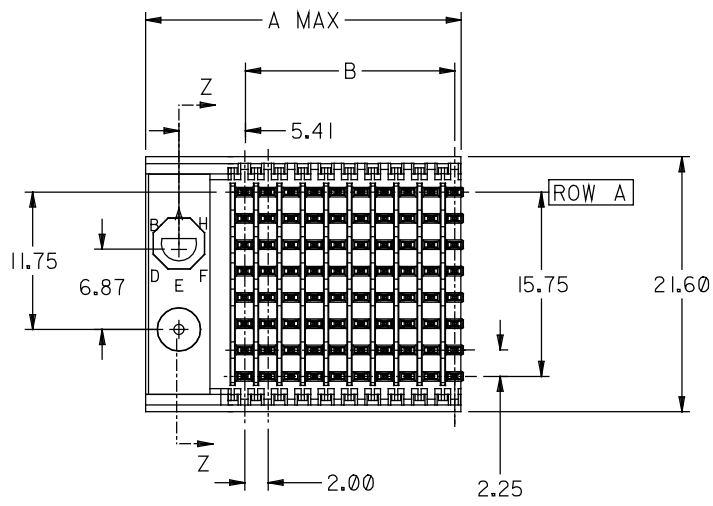
PART NUMBER	COLUMN	NUMBER OF SIGNAL PIN	NUMBER OF SHIELD	A MAX	B	M	Au (um) THICKNESS	Sn/Ph (um) THICKNESS
75197-1001	10	80	0	20.00	18.00	4.75	0.76	0.38-1.52
75197-2501	25	200	0	50.00	48.00		---	
75197-1002	10	80	0	20.00	18.00	6.25	0.76	
75197-2502	25	200	0	50.00	48.00		---	
75197-1003	10	80	0	20.00	18.00	4.25	0.76	
75197-2503	25	200	0	50.00	48.00		---	
75197-1004	10	80	0	20.00	18.00	5.15	0.76	
75197-2504	25	200	0	50.00	48.00		---	

RELEASED EC No. UCP2003-0558 DRWN: BANDURA 02/10/07 CHK: MARTIN 02/10/08 APPR: BIXLER 02/10/09	DESCRIPTION MAJOR $\nabla = 0$ CRITICAL $\nabla C = 0$	GENERAL TOLERANCES: (UNLESS SPECIFIED)	SCALE : <input type="checkbox"/> mm <input type="checkbox"/> INCH	DESIGN UNITS <input type="checkbox"/> mm <input type="checkbox"/> INCH	THIRD ANGLE PROJECTION <input checked="" type="checkbox"/> THIRD ANGLE	DIMENSIONS: <input type="checkbox"/> mm <input type="checkbox"/> INCH <input type="checkbox"/> mm ONLY	SHT REV REVISE ON CAD ONLY
		4 PLACES $\pm 0. -- \pm.$ 3 PLACES $\pm 0. -- \pm.$ 2 PLACES $\pm 0. -- \pm.$ 1 PLACE $\pm 0. -- \pm.$	DRAWN BY & DATE BANDURA 02/10/07	TITLE: VHDM L SERIES 8 ROW BACKPLANE OPEN ENDS SALES DRAWING			
		ANGULAR: $\pm -- \circ$	CHECKED BY & DATE MARTIN 02/10/08	APPROVED BY & DATE BIXLER 02/10/09			
		DRAFT WHERE APPLICABLE MUST REMAIN WITHIN DIMENSIONS	CAD FILENAME	MATERIAL NO. SEE CHART	DRAWING NO. SD-75197-001	SHEET NO. 2	

THIS DRAWING CONTAINS INFORMATION THAT IS PROPRIETARY TO MOLEX INCORPORATED AND SHOULD NOT BE USED WITHOUT WRITTEN PERMISSION.

MOLEX MOLEX INCORPORATED

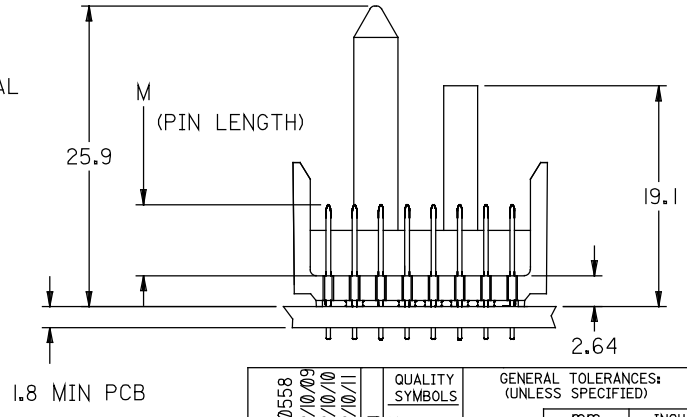
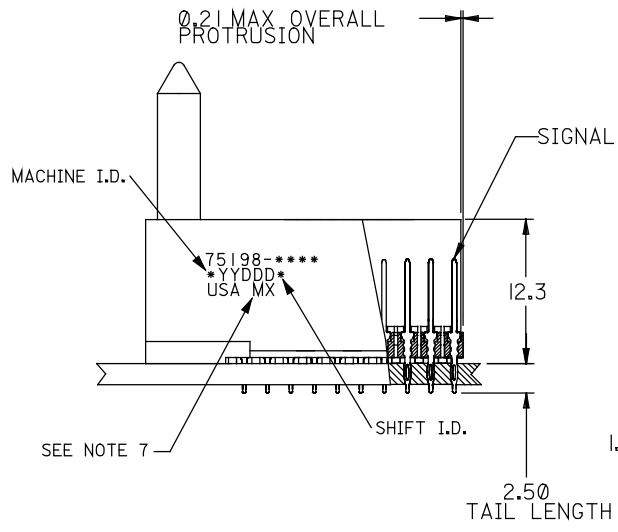
SIZE B



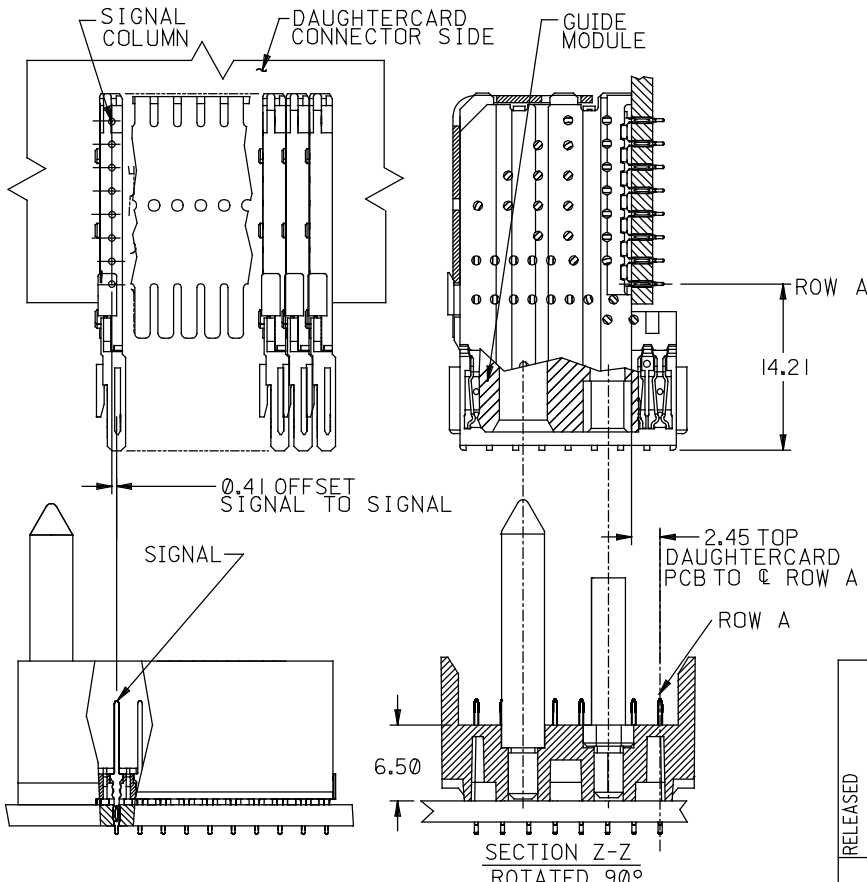
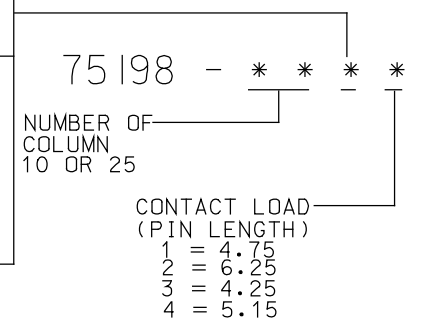
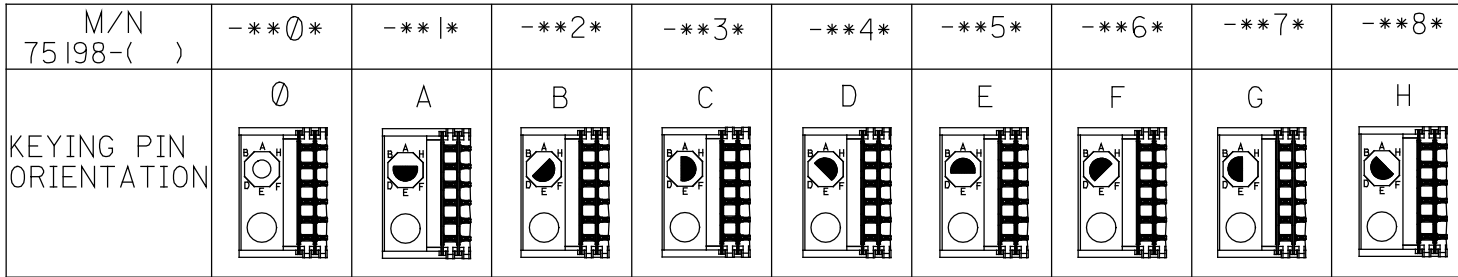
BACKPLANE HOLE PATTERN
RECOMMENDED DIMENSION

NOTES:

1. MATERIALS:
HOUSING - LIQUID CRYSTAL POLYMER (LCP),
GLASS-FILLED, UL 94V-0, COLOR: BLACK.
SIGNAL PIN - COPPER ALLOY.
2. FINISHES:
SELECTIVE GOLD (Au) ON CONTACT AREA;
SELECTIVE TIN/LEAD (Sn/Pb) ON PCB TAILS AND
NICKEL (Ni) OVERALL.
3. THIS PART CONFORMS TO MOLEX
PRODUCT SPECIFICATION PS-74031-999
4. FOR MIXED CONTACT MATING LENGTHS.
CONSULT MOLEX FOR AVAILABILITY.
5. FOR SPECIFIC MATERIAL NUMBERS
AND MATING INFORMATION REFER TO
SHEET 2.
6. PACKAGE PER PK-74061-003.
7. EITHER MARK PARTS WITH PART NUMBER AND DATE CODE
APPROXIMATELY WHERE SHOWN OR PLACE LABEL ON
HTE TUBE.

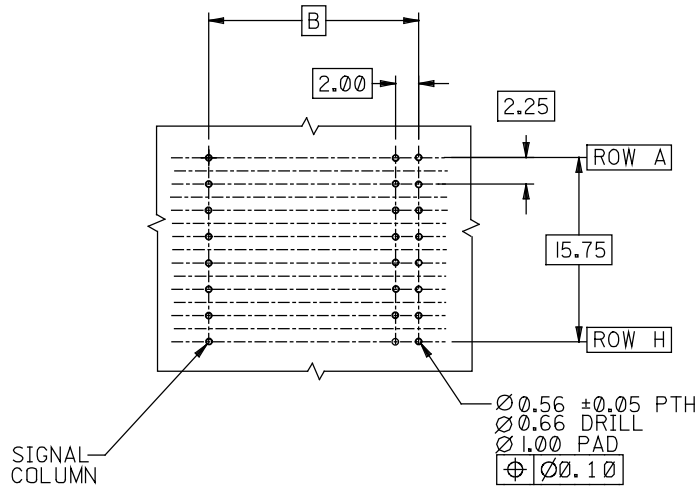


RELEASED EC No. UCP2003-0558 DRWN: BANDURA 02/10/09 CHK: MARTIN 02/10/10 APPR: BIXLER 02/10/11	DESCRIPTION MAJOR CRITICAL C	GENERAL TOLERANCES: (UNLESS SPECIFIED)		SCALE 2.5:1	DESIGN UNITS <input checked="" type="checkbox"/> mm <input type="checkbox"/> INCH	DIMENSIONS: <input type="checkbox"/> mm <input type="checkbox"/> INCH <input type="checkbox"/> mm ONLY	THIRD ANGLE PROJECTION	SHT 2	REV A	
		DRAWN BY & DATE BANDURA 02/10/09	TITLE: VHDM L SERIES 8 ROW BACKPLANE SIGNAL (LEFT) END SALES DRAWING			CHECKED BY & DATE MARTIN 02/10/10	APPROVED BY & DATE BIXLER 02/10/11	MATERIAL NO. SEE CHART	DRAWING NO. SD-75198-001	SHEET NO. 1 OF 2
		4 PLACES ±0. -- ±. 3 PLACES ±0. -- ±. 2 PLACES ±0. -- ±. 1 PLACE ±0. -- ±.	ANGULAR: ± -- °	CAD FILENAME	MOLEX MOLEX INCORPORATED	SIZE B				
		DRAFT WHERE APPLICABLE MUST REMAIN WITHIN DIMENSIONS		THIS DRAWING CONTAINS INFORMATION THAT IS PROPRIETARY TO MOLEX INCORPORATED AND SHOULD NOT BE USED WITHOUT WRITTEN PERMISSION.						

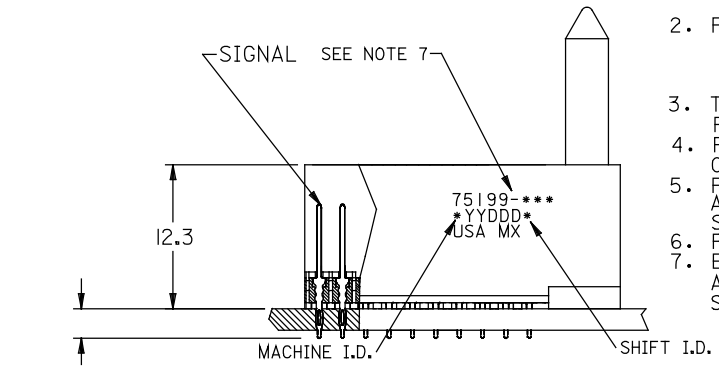
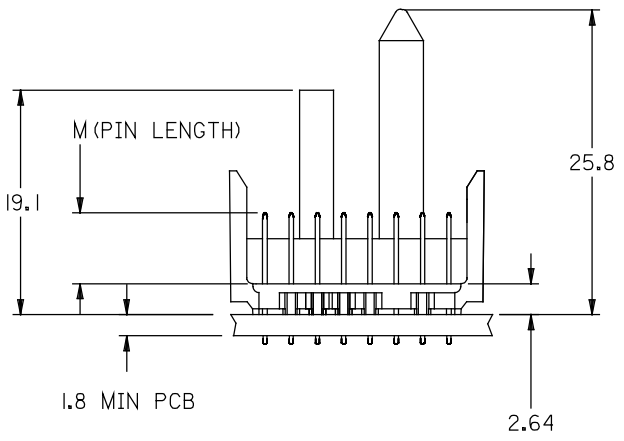
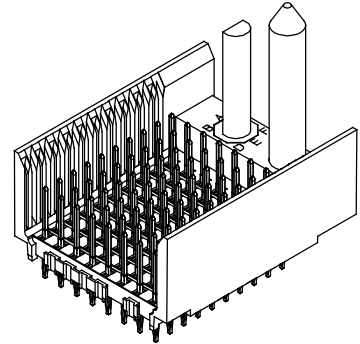
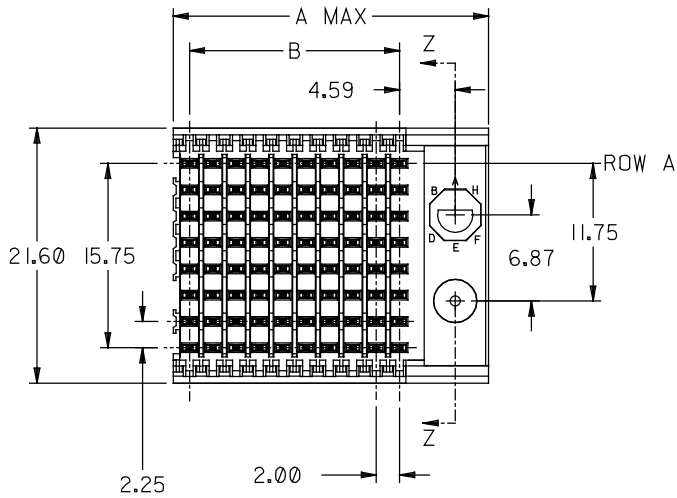


PART NUMBER	COLUMN	NUMBER OF SIGNAL PIN	NUMBER OF SHIELD	A MAX	B	M	Au (um) THICKNESS	Sn/Ph (um) THICKNESS
75198-10*1	10	80	0	27.00	18.00	4.75	0.76	0.38-1.52
75198-25*1	25	200	0	57.00	48.00		---	
75198-10*2	10	80	0	27.00	18.00	6.25	0.76	
75198-25*2	25	200	0	57.00	48.00		---	
75198-10*3	10	80	0	27.00	18.00	4.25	0.76	
75198-25*3	25	200	0	57.00	48.00		---	
75198-10*4	10	80	0	27.00	18.00	5.15	0.76	
75198-25*4	25	200	0	57.00	48.00		---	

RELEASED EC NO. UCP2003-0558 DRWN: BANDURA 02/10/10 CHK: MARTIN 02/10/11 APPR: BIXLER 02/10/14	DESCRIPTION MAJOR CRITICAL	GENERAL TOLERANCES: (UNLESS SPECIFIED)	SCALE : DESIGN UNITS <input checked="" type="checkbox"/> mm <input type="checkbox"/> INCH	THIRD ANGLE PROJECTION <input type="checkbox"/> mm <input type="checkbox"/> INCH <input checked="" type="checkbox"/> mm ONLY	SHT REV REVISE ON CAD ONLY
		DIMENSIONS: <input type="checkbox"/> mm <input type="checkbox"/> INCH <input checked="" type="checkbox"/> mm ONLY	DRAWN BY & DATE BANDURA 02/10/10 CHECKED BY & DATE MARTIN 02/10/11 APPROVED BY & DATE BIXLER 02/10/14 CAD FILENAME	TITLE: VHDM L SERIES 8 ROW BACKPLANE SIGNAL (LEFT) END SALES DRAWING	MATERIAL NO. SEE CHART
DRAFT WHERE APPLICABLE MUST REMAIN WITHIN DIMENSIONS	THIS DRAWING CONTAINS INFORMATION THAT IS PROPRIETARY TO MOLEX INCORPORATED AND SHOULD NOT BE USED WITHOUT WRITTEN PERMISSION.	MOLEX MOLEX INCORPORATED			



BACKPLANE HOLE PATTERN
RECOMMENDED DIMENSION



NOTES:

- MATERIALS:
HOUSING - LIQUID CRYSTAL POLYMER (LCP),
GLASS-FILLED, UL 94V-0, COLOR: BLACK.
SIGNAL PIN - COPPER ALLOY.
- FINISHES:
SELECTIVE GOLD (Au) ON CONTACT AREA;
SELECTIVE TIN/LEAD (Sn/Pb) ON PCB TAILS;
NICKEL (Ni) OVERALL.
- THIS PART CONFORMS TO MOLEX
PRODUCT SPECIFICATION PS-74031-999
- FOR MIXED CONTACT MATING LENGTHS.
CONSULT MOLEX FOR AVAILABILITY.
- FOR SPECIFIC MATERIAL NUMBERS
AND MATING INFORMATION REFER TO
SHEET 2.
- PACKAGE PER PK-74061-003.
- EITHER MARK PARTS WITH PART NUMBER
AND DATE CODE APPROXIMATELY WHERE
SHOWN OR PLACE LABEL ON THE TUBE.

2	A
1	A
SHT	REV
REVISE ON CAD ONLY	

RELEASED EC No. UCP2003-0558 DRWN: BANDURA 02/10/16 CHK: MARTIN 02/10/17 APPR: BIXLER 02/10/18 A	DESCRIPTION MAJOR $\nabla = 0$ CRITICAL $\nabla C = 0$	QUALITY SYMBOLS	GENERAL TOLERANCES: (UNLESS SPECIFIED)	SCALE 2.5: 1	DESIGN UNITS <input checked="" type="checkbox"/> mm <input type="checkbox"/> INCH	DIMENSIONS: <input type="checkbox"/> mm <input type="checkbox"/> INCH <input type="checkbox"/> mm ONLY	THIRD ANGLE PROJECTION	DRAWN BY & DATE BANDURA 02/10/16	TITLE: VHDM L SERIES 8 ROW BACKPLANE SHIELD (RIGHT) END SALES DRAWING	
		4 PLACES ± 0.00 -- \pm	3 PLACES ± 0.00 -- \pm	2 PLACES ± 0.00 -- \pm	1 PLACE ± 0.00 -- \pm	CHECKED BY & DATE MARTIN 02/10/17	APPROVED BY & DATE BIXLER 02/10/18	MATERIAL NO. SEE CHART	DRAWING NO. SD-75199-001	SHEET NO. 1 OF 2
		ANGULAR: $\pm 1/2^\circ$			DRAFT WHERE APPLICABLE MUST REMAIN WITHIN DIMENSIONS	CAD FILENAME		THIS DRAWING CONTAINS INFORMATION THAT IS PROPRIETARY TO MOLEX INCORPORATED AND SHOULD NOT BE USED WITHOUT WRITTEN PERMISSION.		
		SIZE B								

10 9 8 7 6 5 4 3 2 75199

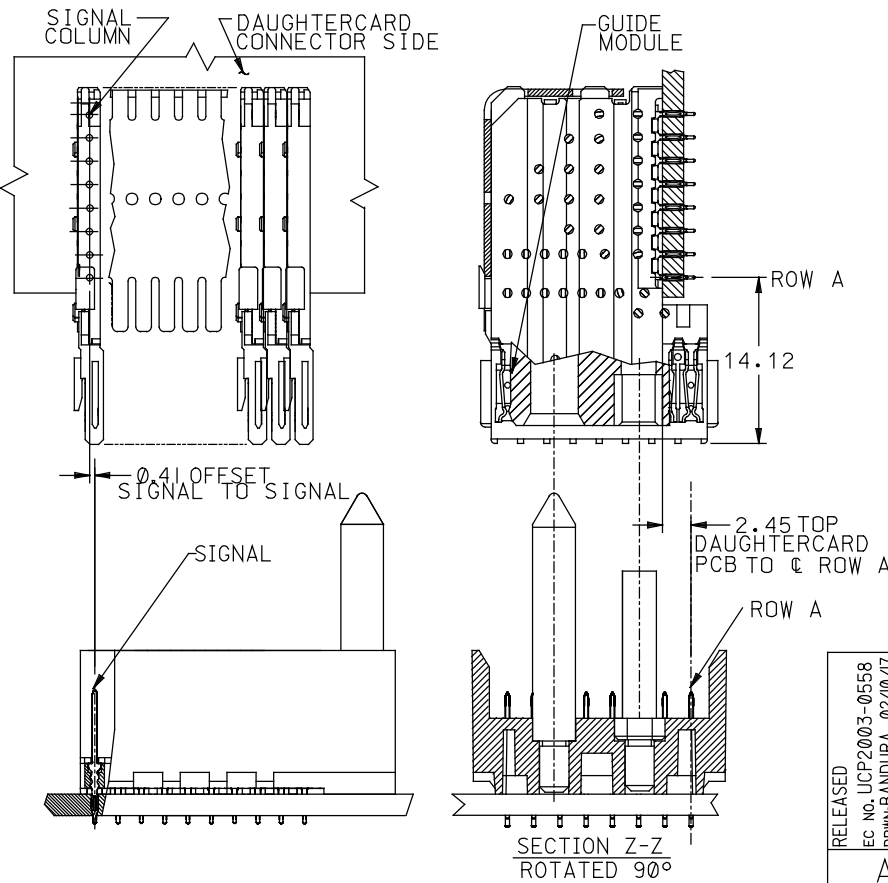
M/N 75199-()	-**0*	-**1*	-**2*	-**3*	-**4*	-**5*	-**6*	-**7*	-**8*
KEYING PIN ORIENTATION									

75199 - * * * *

NUMBER OF COLUMN
10 OR 25

CONTACT LOAD (PIN LENGTH)

- 1 = 4.75
- 2 = 6.25
- 3 = 4.25
- 4 = 5.15



PART NUMBER	COLUMN	NUMBER OF SIGNAL PIN	NUMBER OF SHIELD	A MAX	B	M	Au (um) THICKNESS	Sn/Ph (um) THICKNESS
75199-10*1	10	80	0	27.00	18.00	4.75	0.76	0.38-1.52
75199-25*1	25	200	0	57.00	48.00		---	
75199-10*2	10	80	0	27.00	18.00	6.25	0.76	
75199-25*2	25	200	0	57.00	48.00		---	
75199-10*3	10	80	0	27.00	18.00	4.25	0.76	
75199-25*3	25	200	0	57.00	48.00		---	
75199-10*4	10	80	0	27.00	18.00	5.15	0.76	
75199-25*4	25	200	0	57.00	48.00		---	

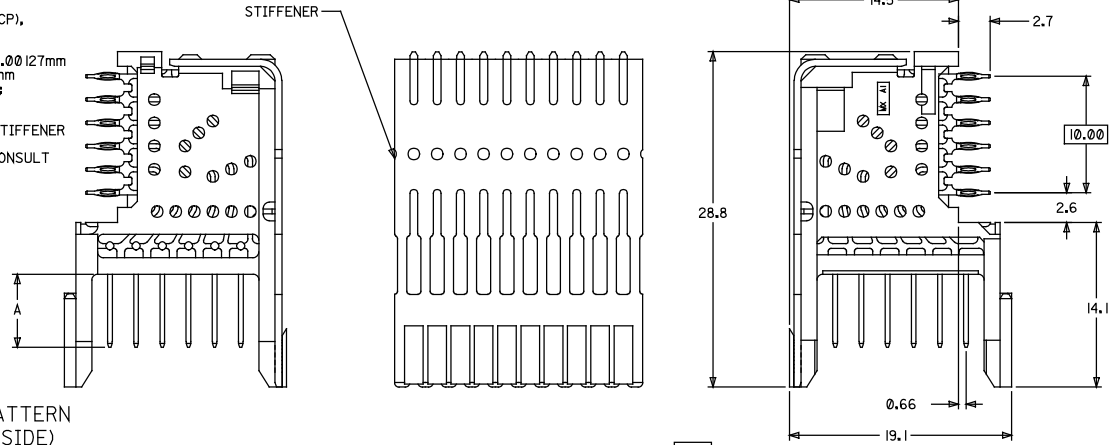
RELEASED EC No. UCP2003-0558 DRWN: BANDURA 02/10/17 CHK: MARTIN 02/10/18 APPR: BIXLER 02/10/21	DESCRIPTION MAJOR = 0 CRITICAL = 0	GENERAL TOLERANCES: (UNLESS SPECIFIED)	SCALE : <input checked="" type="checkbox"/> mm <input type="checkbox"/> INCH	DESIGN UNITS <input checked="" type="checkbox"/> mm <input type="checkbox"/> INCH	THIRD ANGLE PROJECTION <input type="checkbox"/> mm <input type="checkbox"/> INCH <input checked="" type="checkbox"/> mm ONLY	SHT REV REVISE ON CAD ONLY		
		4 PLACES ±0.-- ±. 3 PLACES ±0.-- ±. 2 PLACES ±0.-- ±. 1 PLACE ±0.-- ±.	DRAWN BY & DATE BANDURA 02/10/17 CHECKED BY & DATE MARTIN 02/10/18 APPROVED BY & DATE BIXLER 02/10/21	TITLE: VHDM L SERIES 8 ROW BACKPLANE SHIELD (RIGHT) END SALES DRAWING		MATERIAL NO. SEE CHART	DRAWING NO. SD-75199-001	SHEET NO. 2
		ANGULAR: ±-- °	CAD FILENAME	MOLEX MOLEX INCORPORATED		SEE CHART	SD-75199-001	SIZE B
		DRAFT WHERE APPLICABLE MUST REMAIN WITHIN DIMENSIONS		THIS DRAWING CONTAINS INFORMATION THAT IS PROPRIETARY TO MOLEX INCORPORATED AND SHOULD NOT BE USED WITHOUT WRITTEN PERMISSION.				

9 8 7 6 5 4 3 2 1

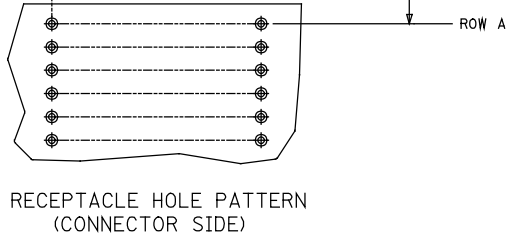
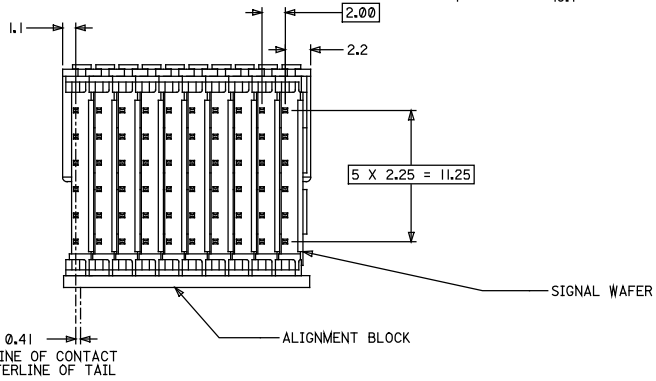
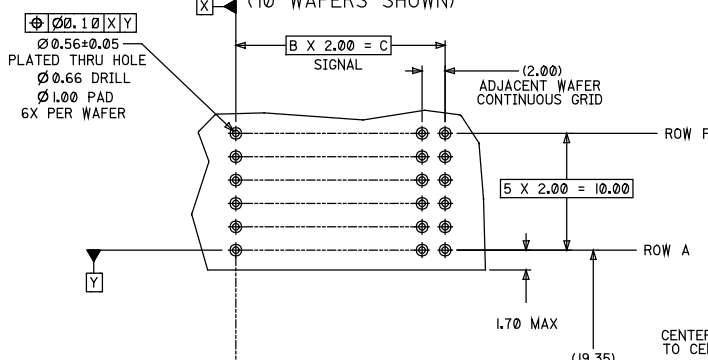
13 12 11 10 9 8 7 6 5 4 3 2 74602

NOTES:

1. MATERIALS: HOUSING-LIQUID CRYSTAL POLYMER (LCP), COLOR: BLACK OR GRAY (SEE CHART).
 2. FINISH: SELECTIVE GOLD (Au) IN CONTACT AREA, 0.00127mm (50 MICRONS) MINIMUM OR 0.00076mm (30 MICRONS) MINIMUM--SEE CHART--; SELECTIVE TIN/LEAD (SnPb) IN TAIL AREA; NICKEL (Ni) OVERALL.
 3. SIGNAL WAFERS SUPPLIED ON STAINLESS STEEL STIFFENER WITH AN ALIGNMENT BLOCK.
- CONFIGURATIONS ARE CUSTOM PER ASSEMBLY. CONSULT FACTORY FOR DETAILS.



MALE HOLE PATTERN (CONNECTOR SIDE) (10 WAFERS SHOWN)



RECEPTACLE HOLE PATTERN (CONNECTOR SIDE)

PART NUMBER	DIM A	HOUSING COLOR	GOLD PLATING (MICROINCHES)
74605-9999	4.75	BLACK	30
74605-9995	4.75	GRAY	50
74605-8888	6.25	BLACK	30
74605-8885	6.25	GRAY	50
74605-7777	5.15	BLACK	30
74605-7775	5.15	GRAY	50

EXAMPLES OF WAFER ASSEMBLIES

NUMBER OF SIGNAL WAFERS	DIM B	DIM C
10	9	18.00
25	24	48.00
50	49	98.00

INITIAL RELEASE REC NO. LCP2003-180-1 DRAWN BY BINGHAM 03/02/20 CHECKED BY REED 03/02/20 APPR BY BIXLER 03/02/20	QUALITY SYMBOLS MAJOR = \blacktriangledown CRITICAL = ∇	GENERAL TOLERANCES (UNLESS SPECIFIED) DIMENSIONAL TOLERANCES: 4 PLACES ± 0.13 INCH 3 PLACES ± 0.13 INCH 2 PLACES ± 0.13 INCH 1 PLACE ± 0.25 INCH ANGULAR $\pm 2^\circ$	SCALE: 4 : 1 DESIGN UNITS: INCH THIRD ANGLE PROJECTION	DRAWN BY & DATE: BINGHAM 03/02/20 CHECKED BY & DATE: REED 03/02/20 APPROVED BY & DATE: BIXLER 03/02/20	TITLE: VHDM 6 ROW RIGHT ANGLE MALE L-SERIES SIGNAL WAFER SALES DRAWING MOLEX INCORPORATED	
	DIMENSIONS: SHT REV DIM INCH DIM INCH DIM INCH DIM INCH REVISIONS ON CAD ONLY	CAD FILENAME: S74605X1.DGN MATERIAL NO.: SEE CHART DRAWING NO.: SD-74605-001 SHEET NO.: 1 OF 1	DRAFT WHERE APPLICABLE MUST REMAIN WITHIN DIMENSIONS THIS DRAWING CONTAINS INFORMATION THAT IS PROPRIETARY TO MOLEX INCORPORATED AND SHOULD NOT BE USED WITHOUT WRITTEN PERMISSION.			

LBORD.DGN REV A 36/06/12 LEVEL 5 12 11 10 9 8 7 6 5 4 3 2 1