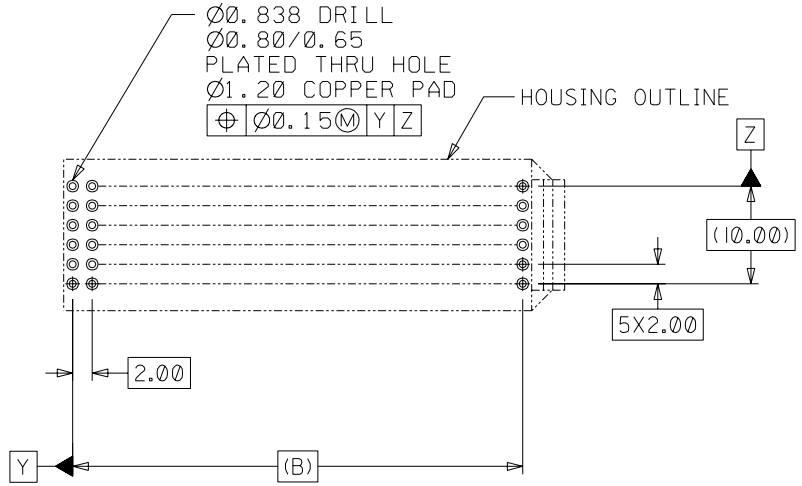
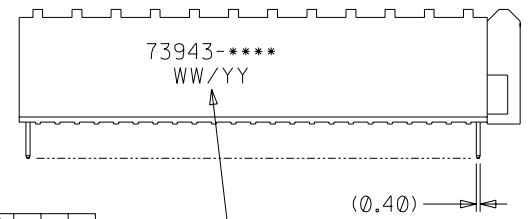
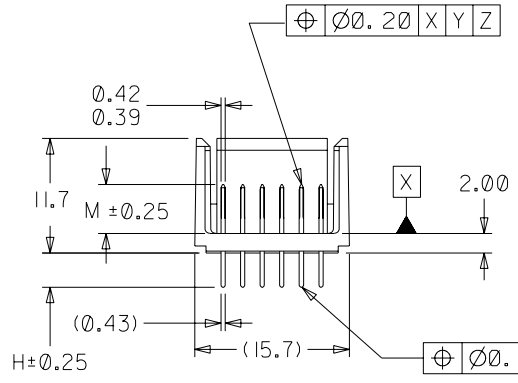
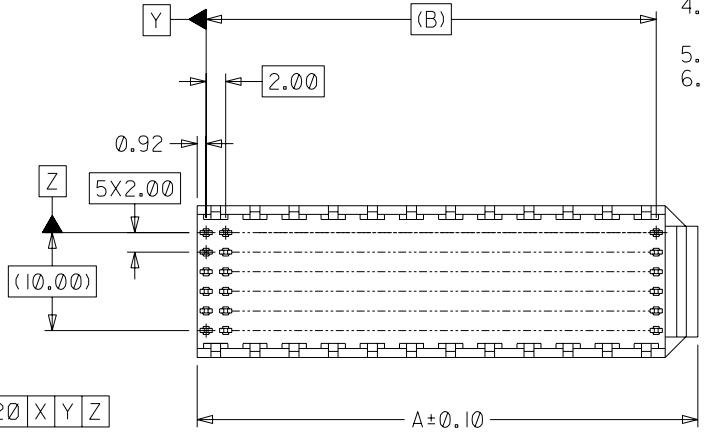
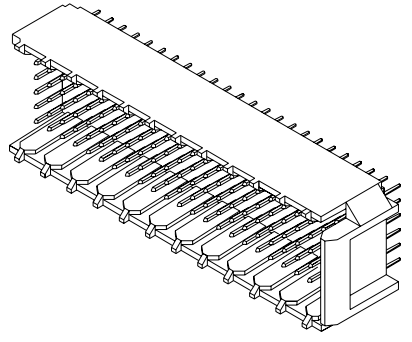


NOTES:

1. MATERIALS: HOUSING--LIQUID CRYSTAL POLYMER (LCP), GLASS FILLED, UL94V-0, COLOR: BLACK, TERMINAL: PHOSPHOR BRONZE.
2. FINISH: SELECTIVE GOLD (Au) IN CONTACT AREA, 0.00076mm MINIMUM THICKNESS; SELECTIVE TIN/LEAD (Sn/Pb) IN TAIL AREA; NICKEL (Ni) OVERALL.
3. THIS PART CONFORMS TO MOLEX PRODUCT SPECIFICATION PS-73670-9999.
4. FOR MIXED CONTACT MATING LENGTHS, CONSULT FACTORY FOR AVAILABILITY.
5. PACKAGE PER PK-70873-0818.
6. PARTS MARKED WITH PART NUMBER AND DATE CODE, ON EITHER SIDE, APPROXIMATELY WHERE SHOWN.



PCB LAYOUT: COMPONENT SIDE
RECOMMENDED PCB THICKNESS: 2.50 MIN

SEE NOTE 6

| | | | |
|---------|-----------------------|-------------|-------------------------|
| REVISED | EC NO. UJCP2003-2260 | DESCRIPTION | QUALITY SYMBOLS |
| | DRWN: THOMAS 03/04/25 | | MAJOR $\nabla = 0$ |
| F | CHK: BINGHAM 03/04/25 | REV | CRITICAL $\nabla C = 0$ |
| | APPR: REED 03/04/25 | | |

| | | | | |
|--|-----------------|--------------|--------------------|--|
| GENERAL TOLERANCES: (UNLESS SPECIFIED) | mm | INCH | SCALE | DESIGN UNITS |
| | 4 PLACES ±0. | ±. | 2 : 1 | <input checked="" type="checkbox"/> mm <input type="checkbox"/> INCH |
| DRAWN BY & DATE | 3 PLACES ±0. | ±. | JBINGHAM 98/01/13 | |
| | 2 PLACES ±0.05 | ±. | CHECKED BY & DATE | |
| 1 PLACE ±0.10 | ±. | ±. | SREED 98/01/13 | |
| | ANGULAR: ± 1/2° | | APPROVED BY & DATE | |
| DRAFT WHERE APPLICABLE MUST REMAIN WITHIN DIMENSIONS | | CAD FILENAME | | CBIXLER 98/01/13 |
| | | MATERIAL NO. | | SEE CHART |
| | | DRAWING NO. | | SD-73943-001 |
| | | SHEET NO. | | 1 OF 2 |

| | | | |
|--|-------------------------------|--------------------|-----|
| DIMENSIONS: | | SHT | REV |
| <input type="checkbox"/> mm | <input type="checkbox"/> INCH | 2 | A |
| <input type="checkbox"/> mm | <input type="checkbox"/> mm | 1 | F |
| TITLE: SALES ASSY, HDM BACKPLANE END WALL OPTION SOLDER TAIL VERSION) | | REVISE ON CAD ONLY | |
| MOLEX INCORPORATED | | | |
| THIS DRAWING CONTAINS INFORMATION THAT IS PROPRIETARY TO MOLEX INCORPORATED AND SHOULD NOT BE USED WITHOUT WRITTEN PERMISSION. | | SIZE B | |

MATERIAL NUMBER ASSIGNMENT

73943-* * 0 0

| NUMBER | CIRCUIT SIZE | DIM "A" | DIM "B" | DIM "H" |
|--------|--------------|---------|---------|---------|
| 0 | 72 | 27.6 | 22.00 | 2.0 |
| 1 | 144 | 51.6 | 46.00 | 2.0 |
| 2 | 72 | 27.6 | 22.00 | 2.5 |
| 3 | 144 | 51.6 | 46.00 | 2.5 |
| 4 | 72 | 27.6 | 22.00 | 3.0 |
| 5 | 144 | 51.6 | 46.00 | 3.0 |
| 6 | 72 | 27.6 | 22.00 | 3.5 |
| 7 | 144 | 51.6 | 46.00 | 3.5 |

| NUMBER | DIM "M" |
|--------|---------|
| 0 | 5.0 |
| 1 | 5.5 |
| 2 | 6.0 |

| | | | | | | | | | | | | |
|---|----------------------------------|------------------------|---|-------------------------|--|--|---|-----|-----------|---------------------------|-----------------------------|----------------|
| SEE SHEET 1 EC NO. U81577 DRWN: BINGHAM 98/02/03 CHK: REED 98/02/03 APPR: BIXLER 98/02/03 | DESCRIPTION MAJOR CRITICAL | QUALITY SYMBOLS | GENERAL TOLERANCES: (UNLESS SPECIFIED) | SCALE NO: NE | DESIGN UNITS <input checked="" type="checkbox"/> mm <input type="checkbox"/> INCH | DIMENSIONS: <input type="checkbox"/> mm <input type="checkbox"/> INCH <input checked="" type="checkbox"/> mm ONLY | SHT | REV | | | | |
| | | 4 PLACES ±0. ±. | DRAWN BY & DATE JBINGHAM 98/01/13 | THIRD ANGLE PROJECTION | | TITLE: SALES ASS'Y, HDM BACKPLANE END WALL OPTION SOLDER TAIL VERSION | | | | REVISE ON CAD ONLY | | |
| | | 3 PLACES ±0. ±. | CHECKED BY & DATE SREED 98/01/13 | 2 PLACES ±0, N/A ±. | | APPROVED BY & DATE CBIXLER 98/01/13 | | | | MATERIAL NO. SEE CHART | DRAWING NO. SD-73943-001 | SHEET NO. 2 |
| | | 1 PLACE ±0, NA/ ±. | ANGULAR: ± ° | | CAD FILENAME S73943X2.DGN | | THIS DRAWING CONTAINS INFORMATION THAT IS PROPRIETARY TO MOLEX INCORPORATED AND SHOULD NOT BE USED WITHOUT WRITTEN PERMISSION. | | SIZE B | | | |
| DRAFT WHERE APPLICABLE MUST REMAIN WITHIN DIMENSIONS | | | | | | | | | | | | |