

DWG. NO. SD-55502-001

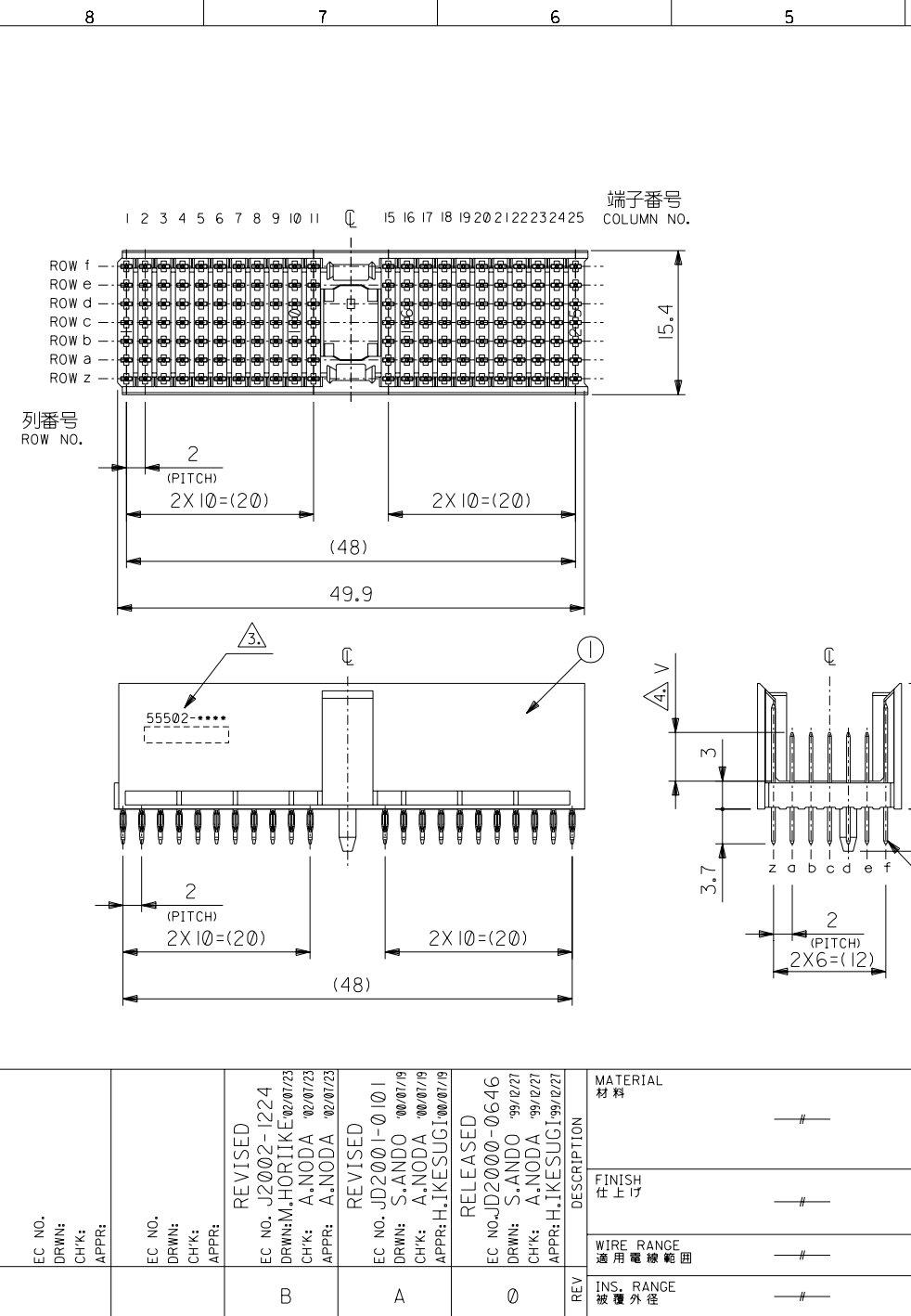
F

D

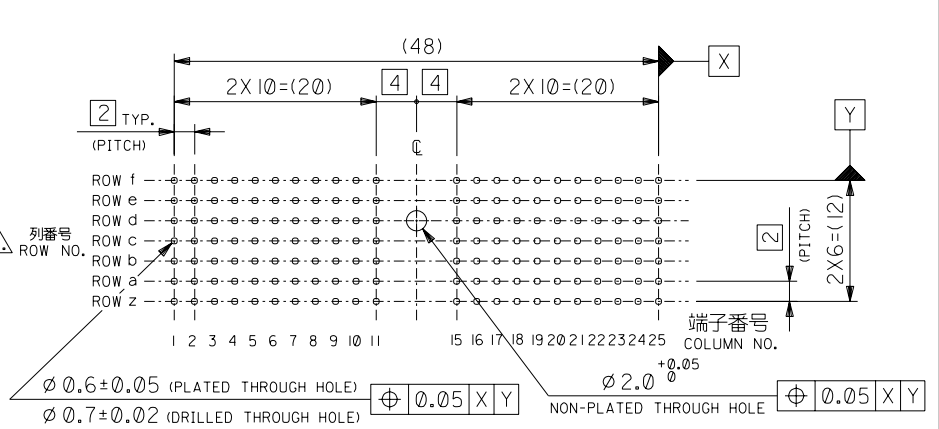
C

B

DO NOT SCALE DRAWING



番号 NO.	部品 PART NAME	材質 MATERIAL	仕上げ FINISH
①	プラグ ハウジング PLUG HOUSING	ポリエステル, ガラス充填, 灰色, UL94V-0 PBT GLASS FILLED, GRAY, UL94V-0	—
②	プラグ ピン PLUG PIN	リン青銅 PHOSPHOR BRONZE	△4



推奨基板厚: 1.4~5.6mm
RECOMMENDED P.C.B. THICKNESS: 1.4~5.6mm

基板穴推奨寸法 (バックプレーン側)
RECOMMENDED P.C.B. LAYOUT (BACKPLANE)

△4	55502-4219	100
△4	55502-1548	154
△4	55502-1549	154
SEQUENCE	MATERIAL NO.	極数 PIN

EC NO.	REVISED	REVISED	RELEASED	DESCRIPTION	MATERIAL 材料	FINISH 仕上げ	WIRE RANGE 適用層線範囲	INS. RANGE 被覆外径
EC NO. J2002-1224 DRWN: M.HORIKI 02/07/23 CHK: A.NODA 02/07/23 APPR: A.NODA 02/07/23	EC NO. JD2001-0101 DRWN: S.ANDO 00/07/19 CHK: A.NODA 00/07/19 APPR: H.IKESUGI 00/07/19	EC NO. JD2000-0646 DRWN: S.ANDO 99/12/27 CHK: A.NODA 99/12/27 APPR: H.IKESUGI 99/12/27	—	—	—	—	—	—

GENERAL TOLERANCES: (UNLESS SPECIFIED) 一般公差	SCALE 2=1	DESIGN UNITS mm INCH	THIRD ANGLE PROJECTION	TITLE:	DIMENSIONS: mm INCH	SHT REV
10 UNDER 未満 ±0.2	DRAWN BY & DATE S. Ando '99/12/27	mm INCH	THIRD ANGLE PROJECTION	"MZP" B/B CONN. PLUG STRAIGHT ASS'Y TYPE A (CPCI PI)	mm ONLY	1 OF 2
10 OVER 30 UNDER 未満 ±0.25	CHECKED BY & DATE A. Noda '99/12/27			MOLEX INCORPORATED		REVISE ON CAD ONLY
30 OVER 以上 ±0.3	APPROVED BY & DATE H. Ando '99/12/27				MATERIAL NO. SEE TABLE	DRAWING NO. SD-55502-001
ANGLE 角度 ±3°	CAD FILE NAME SD-55502-001.S01			THIS DRAWING CONTAINS INFORMATION THAT IS PROPRIETARY TO MOLEX INCORPORATED AND SHOULD NOT BE USED WITHOUT WRITTEN PERMISSION.		EN-02J(097) MXJ-54

F
E
D
C
B
A
SD-55502-001.S01

DWG. NO. SD-55502-004

F

D

V

C

B

DO NOT SCALE DRAWING

8 7 6 5 4 3 2 1

F

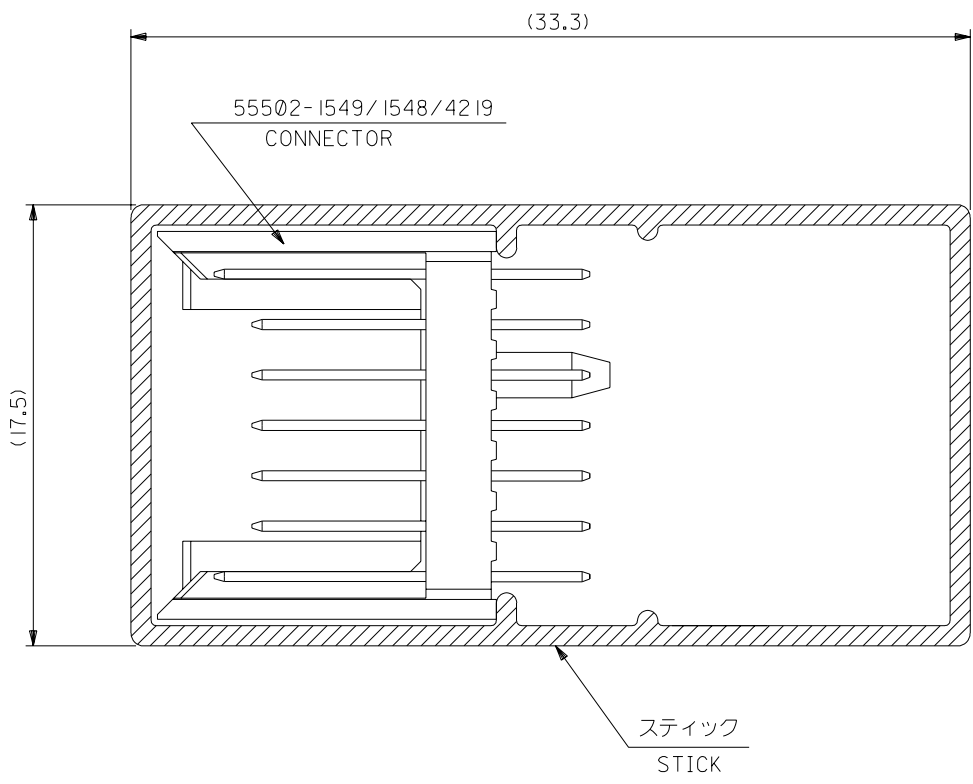
E

D

C

B

A



注記
NOTES

1. スティック両端はテープ止め。
BOTH ENDS WITH TAPES.
2. 全長：600±2
TOTAL LENGTH: 600±2
3. 肉厚：0.8±0.2
THICKNESS: 0.8±0.2

II	55502-4219	55502-4211	100
II	55502-1548	55502-1542	154
II	55502-1549	55502-1541	154
梱包数 QUANTITY	CONNECTOR	MATERIAL NO.	極数 PIN

EC NO. DRWN: CHK: APPR:	EC NO. DRWN: CHK: APPR:	EC NO. DRWN: CHK: APPR:	REVISED EC NO. J2002-1224 DRWN:M.HORIIKE 02/07/23 CHK:A.NODA 02/07/23 APPR:A.NODA 02/07/23 RELEASED EC NO. JD2001-0101 DRWN:S.ANDO 00/07/19 CHK:A.NODA 00/07/19 APPR:H.IKESUGI 00/07/19	DESCRIPTION スティック：ポリ塩化ビニル STICK: PVC	MATERIAL 材料 スティック：ポリ塩化ビニル STICK: PVC	FINISH 仕上げ —	WIRE RANGE 適用電線範囲 —	INS. RANGE 被覆外径 —	GENERAL TOLERANCES: (UNLESS SPECIFIED) 一般公差 10 UNDER 未満 ±0.2 10 OVER 以上 30 UNDER 未満 ±0.25 30 OVER 以上 ±0.3 ANGLE 角度 ±3°	SCALE 5-1 DESIGN UNITS mm INCH THIRD ANGLE PROJECTION	DRAWN BY & DATE S. Ando '00/07/19 CHECKED BY & DATE A. Noda '00/07/19 APPROVED BY & DATE H. Ikessugi '00/07/19 CAD FILENAME SD-55502-004.S01	TITLE: "MZP" B/B CONN. PLUG STRAIGHT ASS'Y TYPE A CPCI PI SHORT TAIL STICK PACKAGING FOR 55501-1549/1548 MOLEX INCORPORATED	DIMENSIONS: mm INCH mm ONLY	SHT REVISE ON CAD ONLY	REV	
8	7	6	5	4	3	2	1									

THIS DRAWING CONTAINS INFORMATION THAT IS PROPRIETARY TO MOLEX INCORPORATED AND SHOULD NOT BE USED WITHOUT WRITTEN PERMISSION.

SD-55502-004.S01