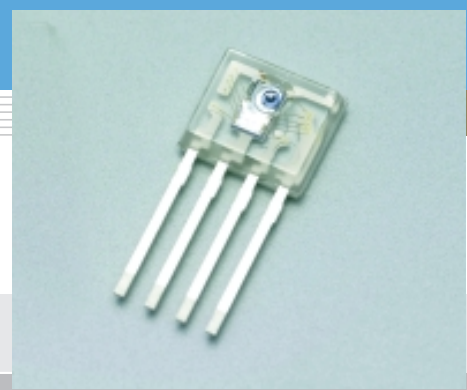


# Photo IC for optical link

## S8046

Receiver with sleeping mode suitable for 50 Mbps optical link



S8046 is optical communication devices designed for POF (Plastic Optical Fiber) data links. S8046 is a high sensitivity, high-speed photo IC that receives signals at 50 Mbps and covers a wide dynamic range of 21.5 dB. The output is TTL compatible. S8046 also features a sleeping mode in which operation automatically switches to low power dissipation mode when no light is input and switches back to normal operation mode when light is input from the optical fiber. The internal IC checks which mode is currently selected and this check signal is available from the mode output terminal. Current consumption in sleeping mode is approximately 1/400th that of normal operation mode.

### Features

- Sleeping mode (low power dissipation)
- 4 to 50 Mbps
- Monolithic photo IC
- High reliability
- TTL output
- Wide dynamic range
- Designed to be used with L8045

### Applications

- High-speed data transmission even under poor environmental conditions with high noise

#### ■ Absolute maximum ratings (Ta=25 °C)

Parameter	Symbol	Value	Unit
Supply voltage	Vcc	-0.5 to +7.0	V
Output voltage	Vo	-0.5 to Vcc+0.5	V
Output current	Io	10	mA
Power dissipation	P	250 *1	mW
Operating temperature	ToPr	-40 to +85	°C
Storage temperature	Tstg	-40 to +85	°C
Soldering	-	230 °C, 5 s, at least 1.8 mm away from package surface	-

\*1: Derate power dissipation at a rate of -1.75 mW/°C above Ta=25 °C

#### ■ Electrical and optical characteristics (Ta=25 °C, Vcc=4.5 to 5.5 V)

Parameter	Symbol	Condition	Min.	Typ	Max.	Unit	
Data rate	fD	bi-phase signal	4	-	50	Mbps	
Current consumption (in operation mode)	Icco	*2,3	-	-	40	mA	
Current consumption (in sleeping mode)	Iccs	Pin= -∞	-	-	100	μA	
Minimum overload	Pimax	*2,3,5,6	-8	-	-	dBm	
Minimum receiver input power	Pimin	*2,3,5,6	-	-	-28.0	dBm	
Output voltage	H level output voltage	Voh	Ioh= -150 μA *2,3	2.7	-	V	
	L level output voltage	Vol	Iol=1.6 mA *2,3	-	-	0.4	
	Rise time	tr	20 to 80 % *2,3	-	-	5	ns
	Fall time	tf		-	-	5	ns
Pulse width distortion	Δt	*2,3	-4	-	+8	ns	
Jitter	Δtj	*2,3	-	-	5	ns	
Operation mode to sleeping mode switching input power	PsI	*2,3,5	-	-	-33	dBm	
Sleeping mode to operation mode switching input power	Pop	*2,3,5	-	-	-30	dBm	
Sleeping mode to operation mode switching time	tso	*2	-	-	200	μs	
Operation mode to sleeping mode switching time	tos	*2	-	-	500	μs	
Mode output	H level voltage	Vmh	*7	3.0	-	V	
	L level voltage	Vml	*7	-	0.5	V	

\*2: Input is a pseudo-random bi-phase signal at 50 Mbps.

\*3: CL=5 pF (including parasitic capacitance of probes, connectors and PC board)

\*4: Optical input signal is generated by our standard signal generator.

\*5: Average value (at 50 % duty ratio)

\*6: Pe=10<sup>-9</sup>

\*7: "H" in sleeping mode, "L" in operation mode

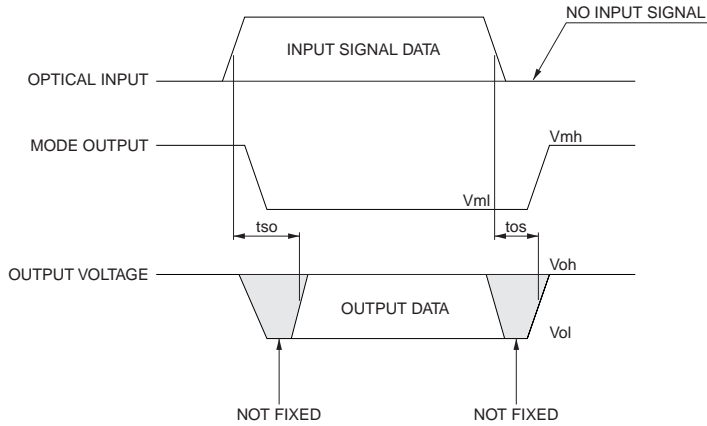
Note)

· A bypass capacitor (0.1 μF) and another capacitor (4.7 μF) are connected between Vcc and GND at a position within 3 mm from the lead.

· The center of the optical fiber is aligned with the center of the lens on the package. The distance between the fiber end and the lens is 0.1 mm.

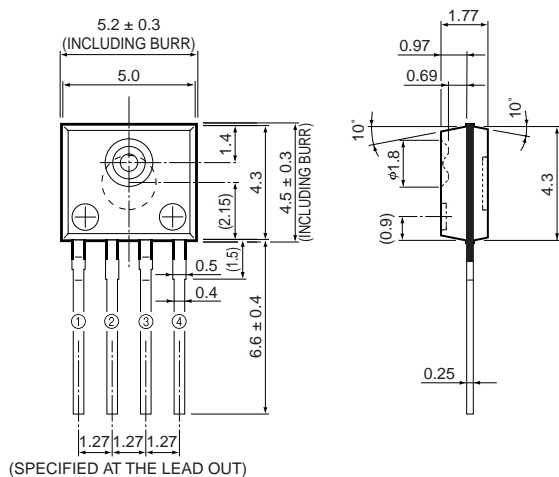
· Output becomes undefined at a baud rate less than 4 Mbps.

■ Mode switching chart

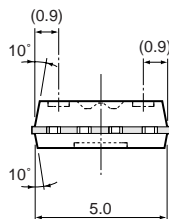


KPIC0066EA

■ Dimensional outline (unit: mm)



(SPECIFIED AT THE LEAD OUT)



- ① MODEOUT
- ② GND
- ③ Vout
- ④ Vcc

Tolerance unless otherwise noted:  $\pm 0.1$ ,  $\pm 0.2$   
 Shaded area indicates burr.  
 Values in parentheses indicate reference value.

KPICA0042EC