



## 219 SERIES CURRENT SENSE INDUCTORS

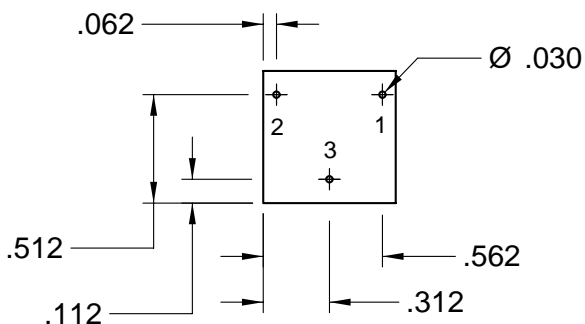
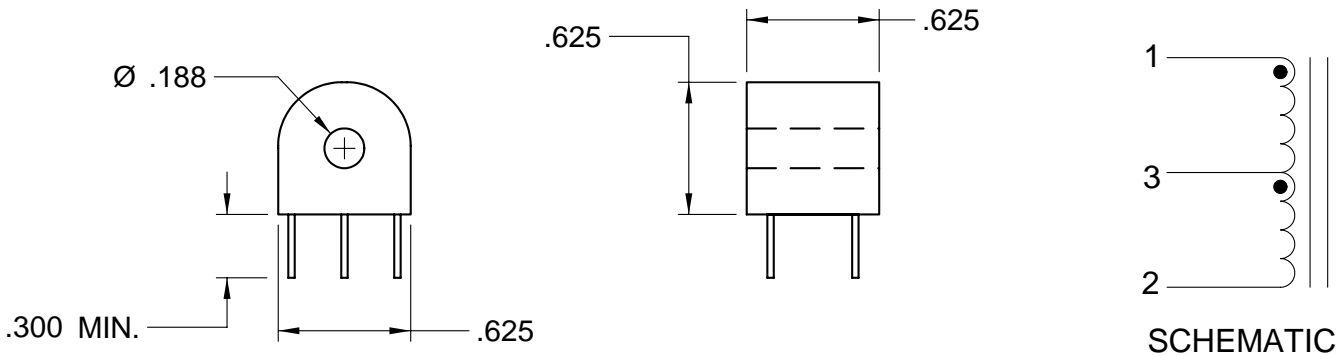
### Features

- Frequency Range: 40Hz to 20kHz
- Operating Temperature: -40°C to +130°C
- Dielectric Strength Pri to Sec: 2.5k Vrms
- Fully Encapsulated Construction
- Non RoHS Version is Available (note 3)



### ELECTRICAL SPECIFICATIONS AT 25°C

Part No.	Turns Ratio 1T Pri	Primary Peak Current (Amp)	Secondary Inductance (H) Typical	DCR (Ω) Max.
PT21901	1000	3.5	85	65
PT21903	1000	5	85	65
PT21905	2000	10	170	200
PT21906	2000	15	170	200
PT21907	2000	20	170	200



### NOTES:

1. All dimensions are shown in inches
2. General tolerance  $\pm 0.010$  otherwise specified
3. For non-RoHS parts, replace PT prefix with 42- (e.g. PT21901 becomes 42-21901).
4. Terminating resistor ( $R_T$ ) calculated:  

$$R_T = V_{REF} * (N / I_{PEAK\ PRIMARY})$$
5. Inductance: 1Vrms @ 100Hz