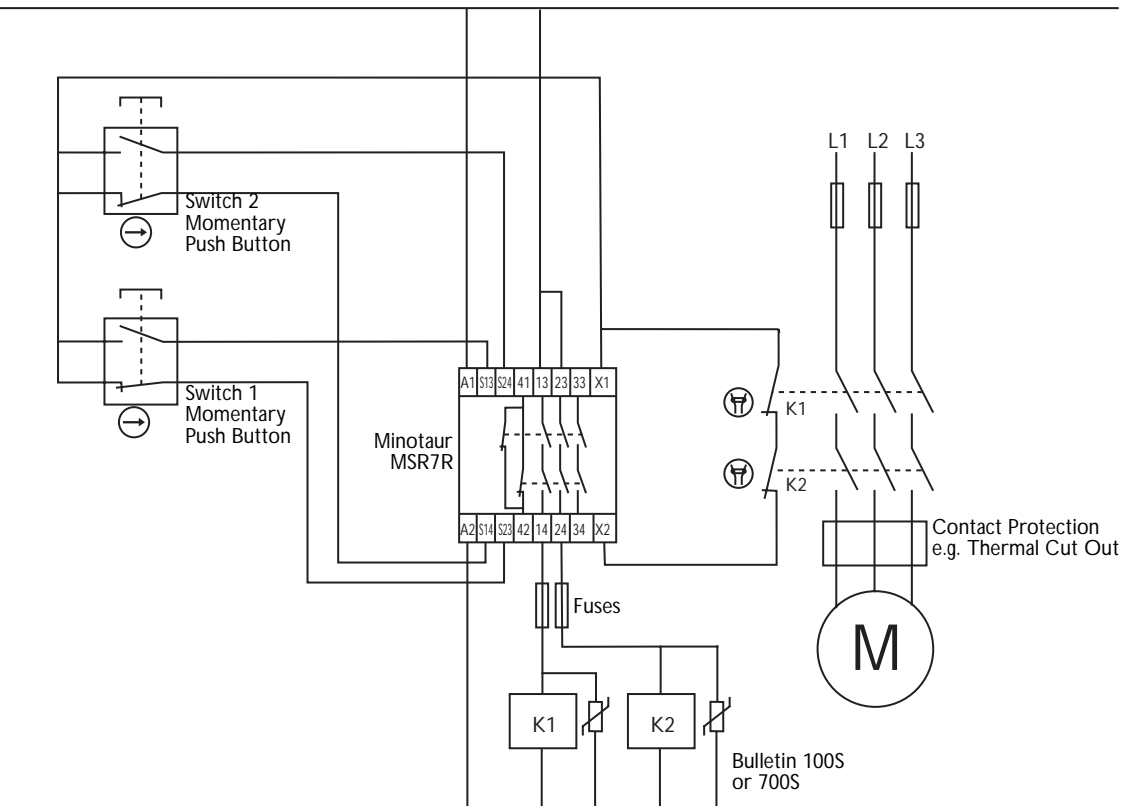


24V AC/DC, 110V AC, 230V AC

**Circuit Status**

The 2 hand control buttons are not pressed and the motor is OFF.

**Operating Principle**

This is a dual channel system with monitoring of the contactors. It uses 2 double pole (N.C. & N.O.) positive mode momentary action push switches.

The motor can only be started when both buttons are pushed synchronously (within 0.5 sec.). If either or both buttons are released, the outputs at the Minotaur are opened.

