

# Customer Information Sheet

DRAWING No.: M80-704XXX

SHEET 2 OF 2

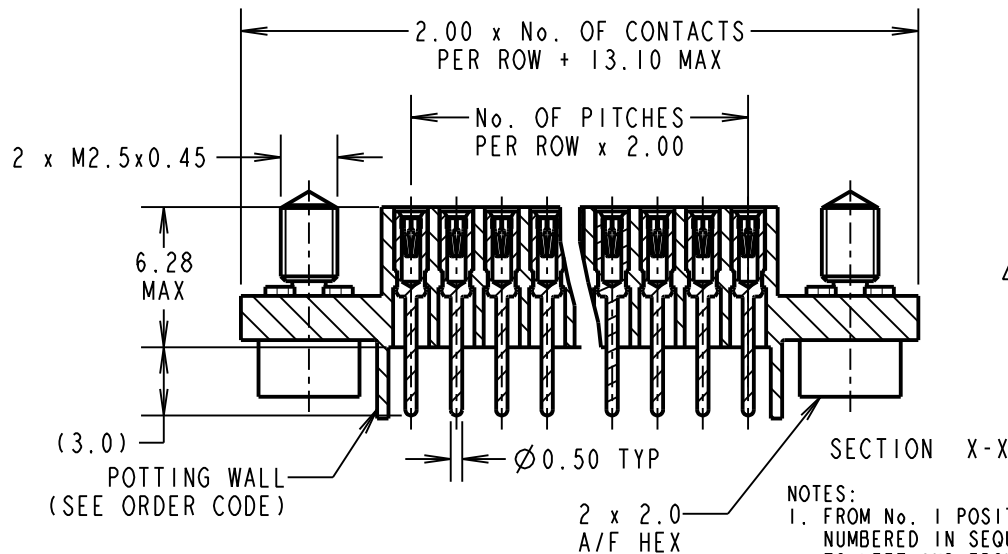
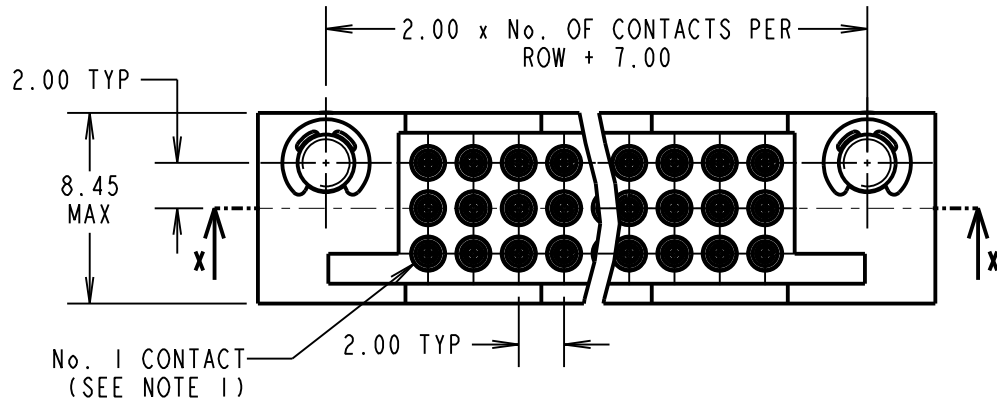
IF IN DOUBT - ASK

©

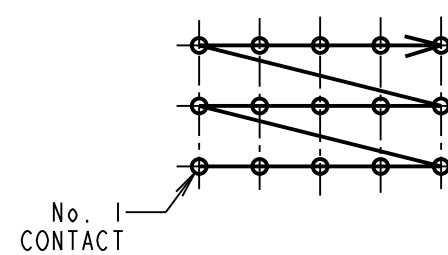
NOT TO SCALE

THIRD ANGLE PROJECTION

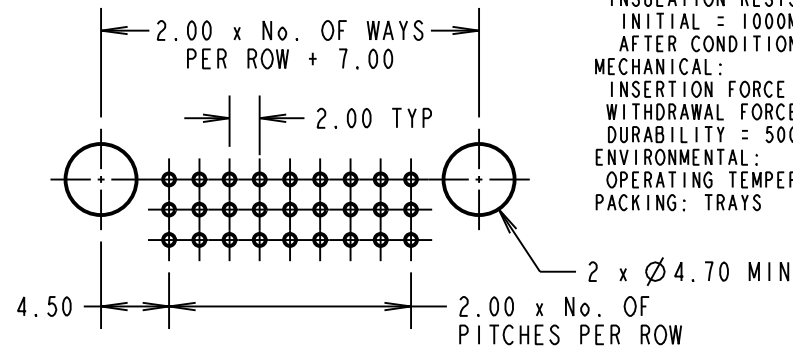
ALL DIMENSIONS IN mm



- NOTES:
1. FROM No. 1 POSITION, CONTACTS NUMBERED IN SEQUENCE FROM RIGHT TO LEFT AND FROM BOTTOM ROW TO TOP ROW (SEE ABOVE).
  2. FOR COMPLETE SPECIFICATION, SEE COMPONENT SPECIFICATION C017XX (LATEST ISSUE).



RECOMMENDED PCB LAYOUT



**SPECIFICATION:**

**MATERIAL:**

MOULDING = POLYAMIDE 46 UL94V-0, BLACK  
 CONTACT CLIP = BERYLLIUM COPPER  
 CONTACT BODY = COPPER ALLOY  
 JACKSCREWS & CIRCLIP = STAINLESS STEEL  
 FINISH (ALL OVER NICKEL):  
 01 = 4µ TIN/LEAD BODY, 0.30µ GOLD CLIP  
 05 = 0.28µ GOLD BODY, 0.30µ GOLD CLIP  
 42 = 4µ 100% TIN BODY, 0.30µ GOLD CLIP

**ELECTRICAL:**

CURRENT RATING AT 25°C = 3.0A MAX  
 CURRENT RATING AT 85°C = 2.2A MAX  
 VOLTAGE PROOF = 360V AC/DC

**CONTACT RESISTANCE:**

INITIAL = 20mΩ MAX  
 AFTER CONDITIONING = 25mΩ MAX

**INSULATION RESISTANCE:**

INITIAL = 1000MΩ MIN  
 AFTER CONDITIONING = 100MΩ MIN

**MECHANICAL:**

INSERTION FORCE = 2.8N MAX, 1.0N MIN  
 WITHDRAWAL FORCE = 1.8N MAX, 0.2N MIN  
 DURABILITY = 500 OPERATIONS

**ENVIRONMENTAL:**

OPERATING TEMPERATURE = -55°C TO +125°C  
 PACKING: TRAYS

ORDER CODE:

**M80-704XXX**

TOTAL No. OF CONTACTS:  
 27, 36, 45, 51, 63

FINISH:

01 = TIN/LEAD SHELL, GOLD CLIP  
 05 = GOLD SHELL, GOLD CLIP  
 42 = 100% TIN SHELL, GOLD CLIP

POTTING WALLS

BLANK = POTTING WALLS REMOVED  
 A = POTTING WALLS RETAINED

SM	9	15.07.11	11343
NAME	ISS.	DATE	C/NOTE
APPROVED: S. MCCULLAGH			
CHECKED: M. G. PLESTED			
DRAWN:		M.A.TODD	
CUSTOMER REF.:			
ASSEMBLY DRG:			

**HARWIN**

HARWIN USA  
 TEL: 603 893 5376  
 FAX: 603 893 5396  
 mis@harwin.com

HARWIN Europe (UK)  
 TEL: 023 9231 4545  
 FAX: 023 9231 4590  
 mis@harwin.co.uk

HARWIN Asia  
 TEL: +65 6 779 4909  
 FAX: +65 6 779 3868  
 mis@harwin.com.sg

THIS DRAWING AND ANY INFORMATION OR DESCRIPTIVE MATTER SET OUT HEREON ARE CONFIDENTIAL AND COPYRIGHT PROPERTY OF THE HARWIN GROUP AND MUST NOT BE DISCLOSED, LOANED, COPIED OR USED FOR MANUFACTURING, TENDERING OR FOR ANY OTHER PURPOSE WITHOUT THEIR WRITTEN PERMISSION.

**TOLERANCES**  
 X. = ±1mm  
 X.X = ±0.25mm  
 X.XX = ±0.10mm  
 X.XXX = ±0.01mm  
 ANGLES = ±5°  
 UNLESS STATED

**MATERIAL:**  
 SEE ABOVE  
**FINISH:**  
 SEE ABOVE  
**S/AREA:**  
 mm<sup>2</sup>

**TITLE:**  
 3-ROW DATAMATE  
 FEMALE PC TAIL SOCKET  
 ASSEMBLY + JACKSCREWS  
**DRAWING NUMBER:**  
**M80-704XXX**

SHT  
 2  
 OF  
 2