

SERIES LAC-TLAC

**Hi Reliability
Isolated
Regulated
AC-DC Linear
Modules**

**TLAC Standard
Terminal Strip Modules**

Series LAC-TLAC AC-DC Linear Modules

FEATURES:

- Terminal strips available-TLAC
- Low output ripple = 1 to 2 MV RMS
- Encapsulated semiconductors, conservatively rated for maximum reliability
- Excellent voltage regulation
- Excellent load regulation
- Up to 9 watts output power at 70°C ambient
- Typical isolation 100 megohms
- Single, dual and triple outputs
- No heat sink required
- No output capacitor required

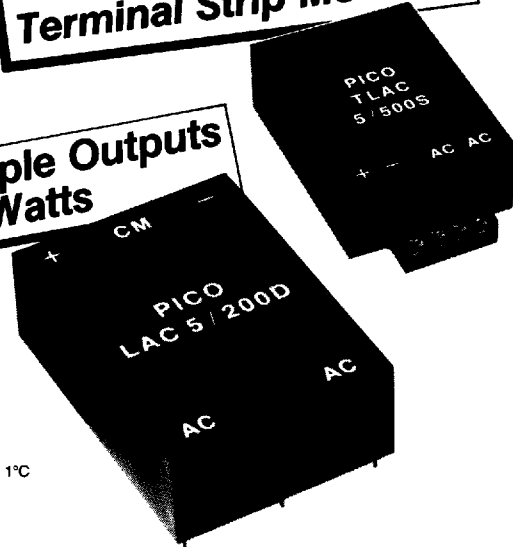
T-57-05

This series of linear AC to DC Power Supplies are available in 46 different models. All single, dual and triple output models offer excellent line and load regulation, while maintaining the output voltage ripple at a minimum. Continuous short-circuit protection and isolation are also standard on all models. The convenience of PC mounting, with mounting inserts, allows the use of this encapsulated unit in harsh environments, and the TLAC models offer a terminal strip for easy electrical connection.

**Single, Dual & Triple Outputs
Up to 10 Watts**

TYPICAL CHARACTERISTICS:

Test conditions: 25°C ambient
 Input voltage: 105-125 VAC
 Input frequency: 50 to 440 Hz
 Line/load regulation: Consult chart
 Output voltage tolerance: ± 1.0%
 Operating temperature: - 25°C to + 70°C
 Output voltage temperature coefficient: 0.02% 1°C
 Storage temperature: - 55°C to + 85°C
 Typical isolation: 100 megohms
 Short circuit protection: Continuous



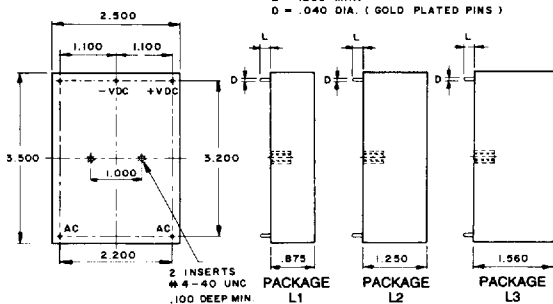
SERIES LAC-TLAC SINGLE OUTPUT

** PICO PART NUMBER	OUTPUT VOLTAGE VDC	MAX. LOAD CURRENT mA	MAX. OUTPUT POWER (watts)	OUT VOLT TOLERANCE (±%)*	V LD. REG. LOAD	LINE REGULATION	OUTPUT VOLTAGE RIPPLE @ FULL LOAD MV RMS	PACKAGE		HEIGHT INCHES	L PKG PRICE 1-24	T** PACKAGE 1-24
								L1	T1			
LAC 5/500S	5	500	2.5	1.0	0.2	0.05	1	L1	T1	.875	69.00	83.00
LAC 5/1000S	5	1000	5	1.0	0.2	0.05	1	L2	T2	1.250	85.00	99.00
LAC 5/2000S	5	2000	10	1.0	0.2	0.05	1	L3	T3	1.560	99.00	113.00
LAC 12/120S	12	120	1.44	1.0	0.1	0.10	1	L1	T1	.875	69.00	83.00
LAC 12/200S	12	200	2.4	1.0	0.1	0.10	1	L2	T2	1.250	85.00	99.00
LAC 12/500S	12	500	6.0	1.0	0.1	0.10	1	L3	T3	1.560	99.00	113.00
LAC 15/120S	15	120	1.8	1.0	0.1	0.10	1	L1	T1	.875	69.00	83.00
LAC 15/200S	15	200	3.0	1.0	0.1	0.10	1	L2	T2	1.250	85.00	99.00
LAC 15/500S	15	500	7.5	1.0	0.1	0.10	1	L3	T3	1.560	99.00	113.00
LAC 24/100S	24	100	2.4	1.0	0.1	0.10	1	L1	T1	.875	69.00	83.00
LAC 24/300S	24	300	7.2	1.0	0.1	0.10	1	L3	T3	1.560	99.00	113.00

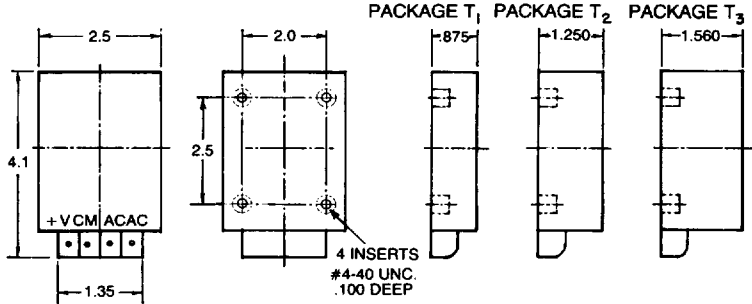
*Consult factory for special voltage requirements

** For terminal strip model add "T" to front of part number.

Series LAC Single Output



Series TLAC Single Output



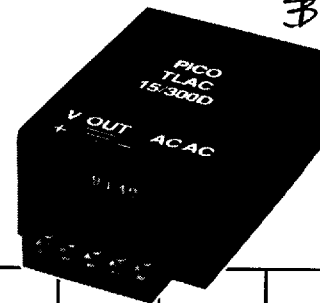
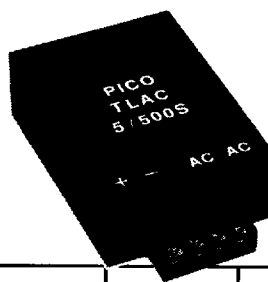
**Delivery—
stock to one week**

For immediate engineering assistance or to place an order—Call Toll Free 800-431-1064

PICO Electronics, Inc.

453 N. MacQuesten Pkwy. Mt. Vernon, N.Y. 10552 914-699-5514 • FAX 914-699-5565

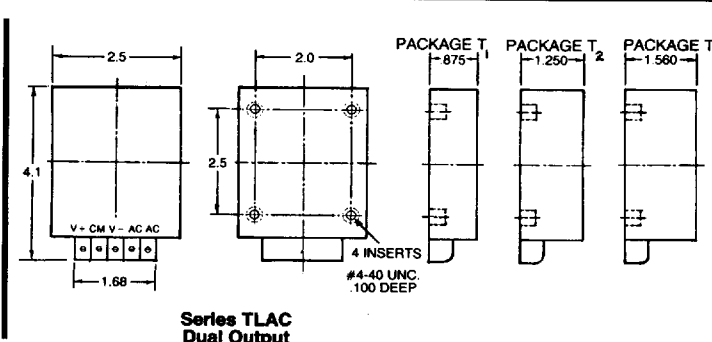
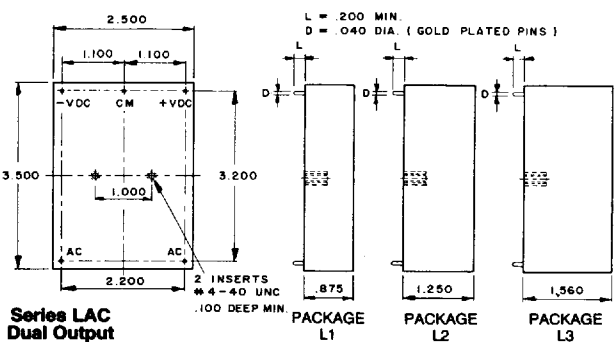
TLAC Standard Terminal Strip Models



SERIES LAC-TLAC DUAL OUTPUT

** PICO PART NUMBER	OUTPUT VOLTAGE VDC	MAX. LOAD CURRENT mA	MAX. OUTPUT POWER (watts)	OUT VOLT TOLERANCE (±%)*	V LD. REG. LOAD	LINE REGULATION	OUTPUT VOLTAGE RIPPLE @ FULL LOAD MV RMS	PACKAGE NUMBER	HEIGHT INCHES	L PKG PRICE 1-24	T ** PRICE 1-24
LAC 5/200D	5	200	1.0	1%	0.1%	.05%	1	L2 T2	1.250	95.00	109.00
LAC 5/300D	5	300	1.5	1%	0.1%	.05%	1	L3 T3	1.560	110.00	124.00
LAC 12/100D	12	100	1.2	1%	0.1%	.02%	1	L1 T1	.875	95.00	109.00
LAC 12/300D	12	300	3.6	1%	0.1%	.02%	1	L3 T3	1.560	110.00	124.00
LAC 15/100D	15	100	1.5	1%	0.1%	.02%	1	L1 T1	.875	95.00	109.00
LAC 15/300D	15	300	4.5	1%	0.1%	.02%	1	L3 T3	1.560	110.00	124.00
LAC 24/100D	24	100	2.4	1%	0.2%	0.1%	1	L2 T2	1.250	95.00	109.00
LAC 24/200D	24	200	4.8	1%	0.2%	0.1%	1	L3 T3	1.560	110.00	124.00

* Consult factory for special voltage requirements ** For terminal strip model add "T" to front of part number.



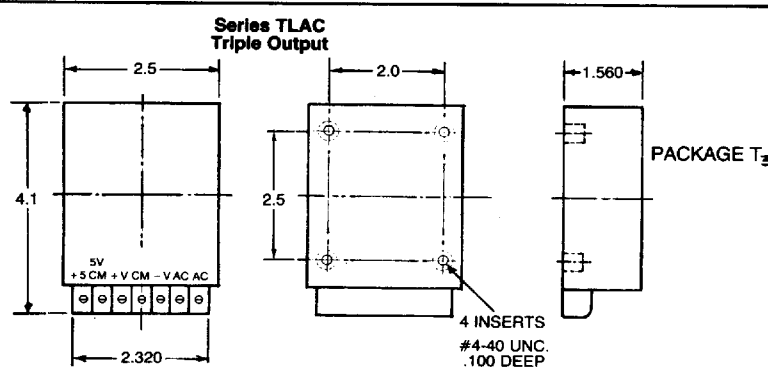
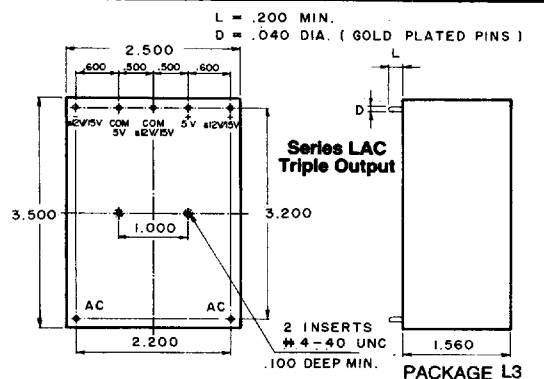
SERIES LAC-TLAC TRIPLE OUTPUT

** PICO PART NUMBER	MAIN OUTPUT VOLTAGE					AUXILIARY OUTPUT VOLTAGE					PACKAGE NUMBER	HEIGHT INCHES	L PKG PRICE 1-24	T ** PRICE 1-24
	OUTPUT VOLTAGE DC OUTPUT	MAX LOAD CURRENT mA OUTPUT	MAX OUTPUT POWER (watts) OUTPUT	V LD. REG. LOAD %	OUTPUT VOLTAGE RIPPLE @ FULL LOAD MV RMS	OUTPUT VOLTAGE DC PER OUTPUT	MAX. LOAD CURRENT mA PER OUTPUT	MAX. OUTPUT POWER (watts) PER OUTPUT	VOLT. LOAD REG. LOAD %	OUTPUT VOLTAGE RIPPLE @ FULL LOAD MV RMS				
LAC 512A	5	250	1.25	0.2	1.0	12	120	1.44	0.1	1.0	L3 T3	1.56	115.00	129.00
LAC 512B	5	500	2.5	0.2	1.0	12	120	1.44	0.1	1.0	L3 T3	1.56	130.00	144.00
LAC 515A	5	250	1.25	0.2	1.0	15	100	1.50	0.1	1.0	L3 T3	1.56	115.00	129.00
LAC 515B	5	500	2.5	0.2	1.0	15	100	1.50	0.1	1.0	L3 T3	1.56	130.00	144.00

Common Characteristics
 Main Output Voltage Tolerance ±0.5%*
 Main Line Regulation ±0.2%

Common Characteristics
 Auxiliary Output Voltage Tolerance ±0.5%*
 Auxiliary Line Regulation ±0.2%

* Measurements taken at 115VAC-60Hz
 ** For terminal strip model add "T" to front of part number.



For immediate engineering assistance or to place an order—Call Toll Free 800-431-1064 • FAX 914-699-5565