
BRA144EMP Series

PNP Built-in Resistor Transistor MPAK Series
Inverter, Driver, Switching

HITACHI

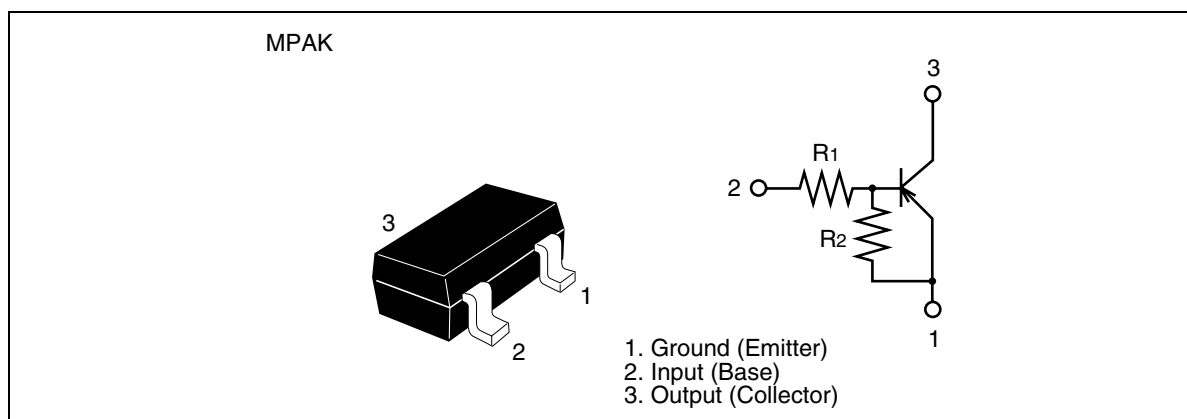
ADE-208-1442B (Z)

Rev.2
Sep. 2001

Features

- Built-in Resistor Type
- Simplifies Circuit Design
- Reduces Board Space
- Complementary pair with BRC144EMP series

Outline



Note: Marking is shown in below.

Device	Marking	R1 (k Ω)	R2 (k Ω)
BRA144EMP	AG	47	47
BRA124EMP	CG	22	22
BRA114EMP	EG	10	10
BRA143EMP	GG	4.7	4.7
BRA123EMP	JG	2.2	2.2

BRA144EMP Series

Absolute Maximum Ratings

($T_a = 25^\circ\text{C}$)

Item		Symbol	Ratings	Unit
Supply voltage		V_{cc}	-50	V
Input voltage	BRA144EMP	V_i	+10 to -50	V
	BRA124EM		+10 to -50	
	BRA114EMP		+10 to -35	
	BRA143EMP		+10 to -25	
	BRA123EMP		+10 to -15	
Output current		I_o	-100	mA
Total power dissipation		P_T^*	200	mW
Junction temperature		T_j	150	$^\circ\text{C}$
Storage temperature		T_{stg}	-55 to +150	$^\circ\text{C}$

*Value on the glass epoxy board. (10 mm × 10 mm × 0.7 mm)

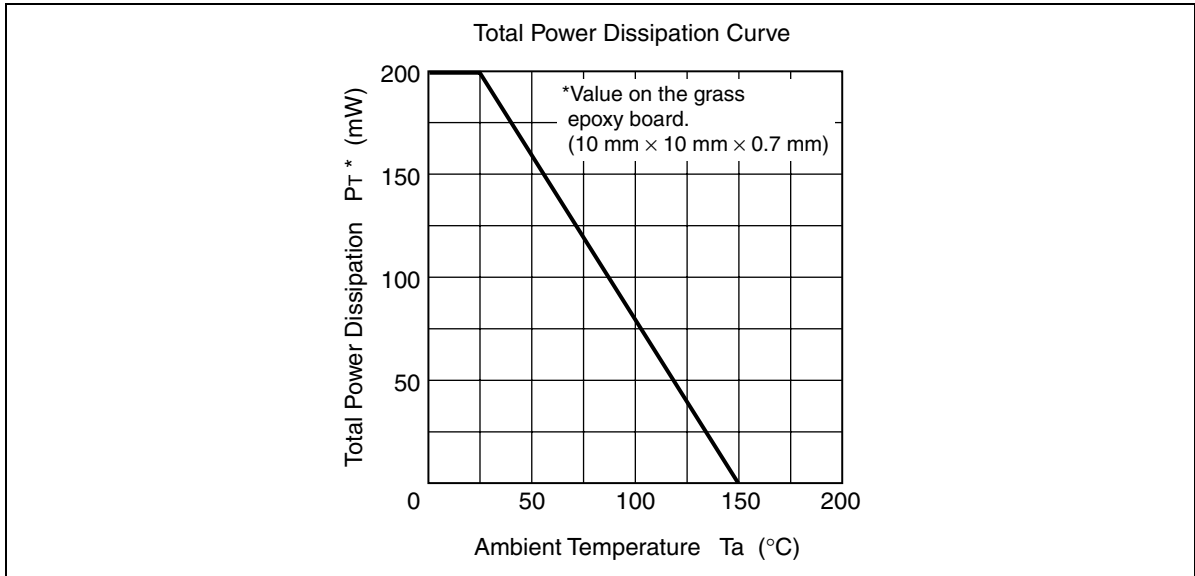
BRA144EMP Series

Electrical Characteristics

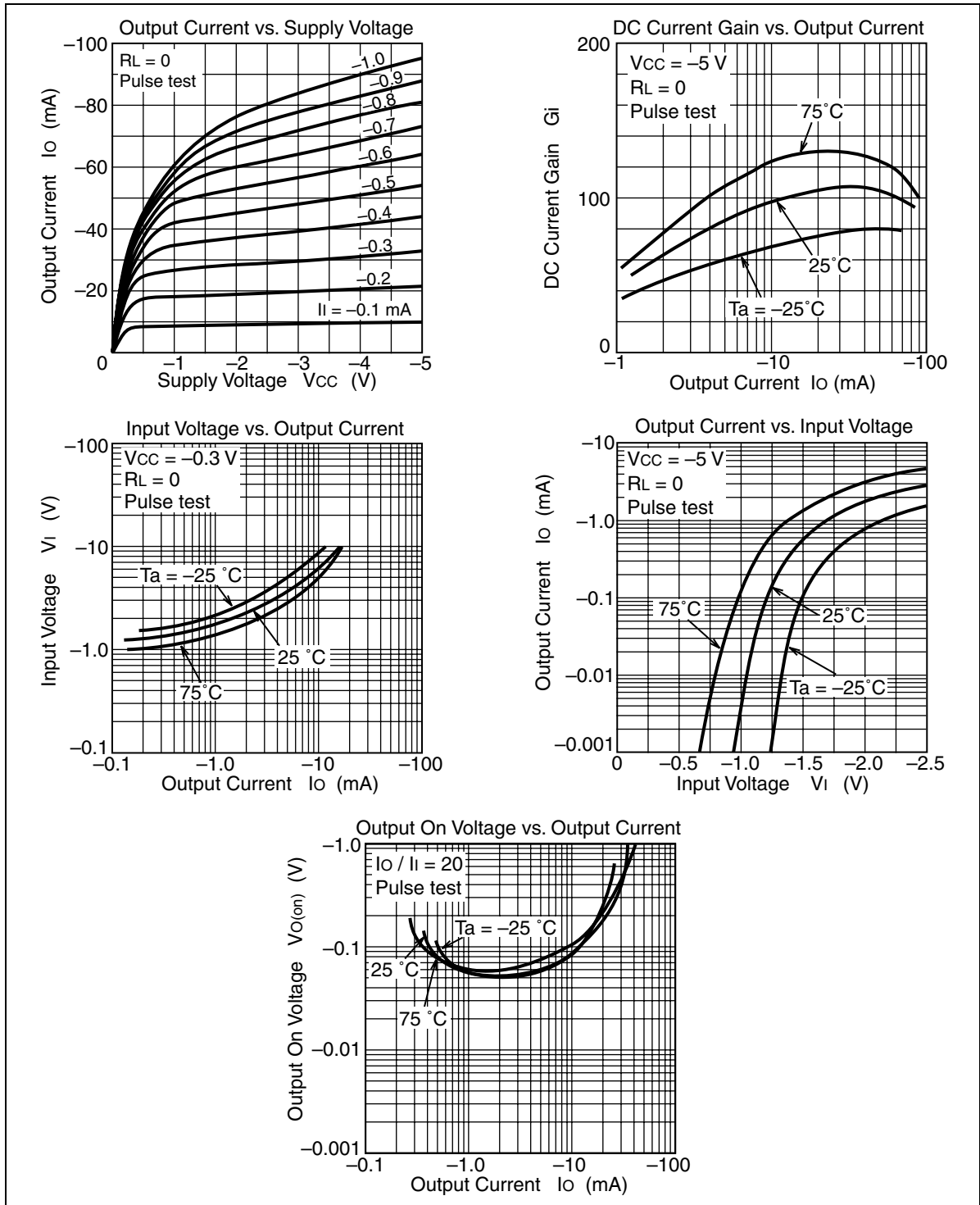
(Ta = 25°C)

Item		Symbol	Min	Typ	Max	Unit	Test conditions	
Input on voltage	BRA144EMP	$V_{I(on)}$	-1.5	—	-4.5	V	$V_{CC} = -0.3\text{ V},$ $I_o = -5\text{ mA}$	
	BRA124EMP		-1.3	—	-3.0			
	BRA114EMP		-1.2	—	-2.4			
	BRA143EMP		-1.1	—	-2.0			
	BRA123EMP		-1.1	—	-1.8			
Input off voltage	BRA144EMP	$V_{I(off)}$	-1.0	—	-1.5	V	$V_{CC} = -5\text{ V},$ $I_o = -100\text{ }\mu\text{A}$	
	BRA124EMP		-1.0	—	-1.5			
	BRA114EMP		-1.0	—	-1.5			
	BRA143EMP		-1.0	—	-1.5			
	BRA123EMP		-1.0	—	-1.5			
Output saturation voltage		$V_{O(on)}$	—	—	-0.3	V	$I_o = -10\text{ mA},$ $I_i = -0.5\text{ mA}$	
Output cutoff current		$I_{O(off)}$	—	—	-0.5	μA	$V_{CC} = -50\text{ V}, I_i = 0$	
DC current transfer ratio	BRA144EMP	G_i	70	—	—		$V_{CC} = -5\text{ V}, I_o = -5\text{ mA}$	
	BRA124EMP		56	—	—			
	BRA114EMP		30	—	—			
	BRA143EMP		20	—	—			$V_{CC} = -5\text{ V}, I_o = -10\text{ mA}$
	BRA123EMP		20	—	—			$V_{CC} = -5\text{ V}, I_o = -20\text{ mA}$
Input resistance	BRA144EMP	R_i	33	47	61	$\text{k}\Omega$		
	BRA124EMP		15	22	28			
	BRA114EMP		7	10	13			
	BRA143EMP		3.3	4.7	6.1			
	BRA123EMP		1.5	2.2	2.8			
Resistance ratio		R_1/R_2	0.8	1.0	1.2			

BRA144EMP Series

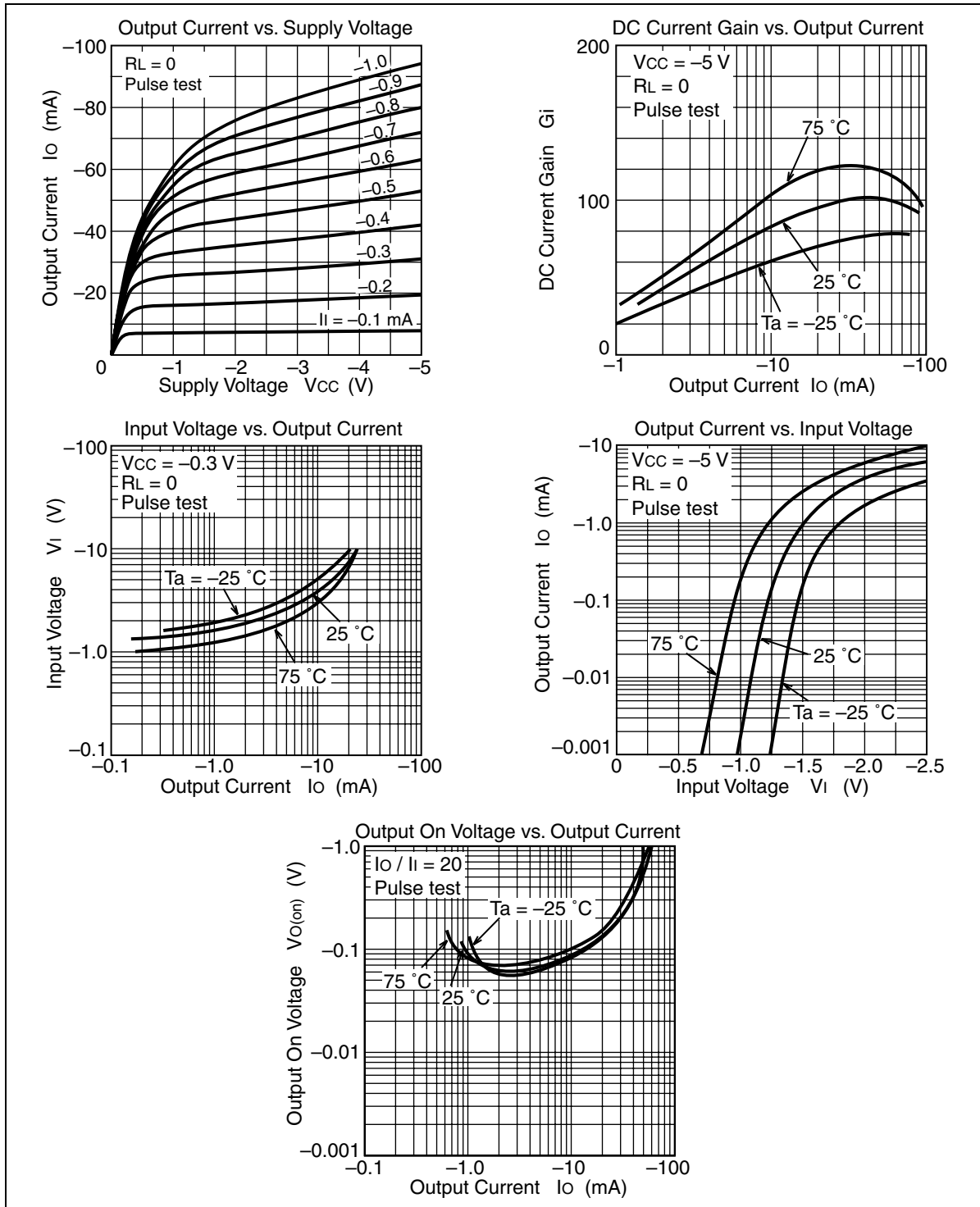


Main Characteristics (BRA144EMP)

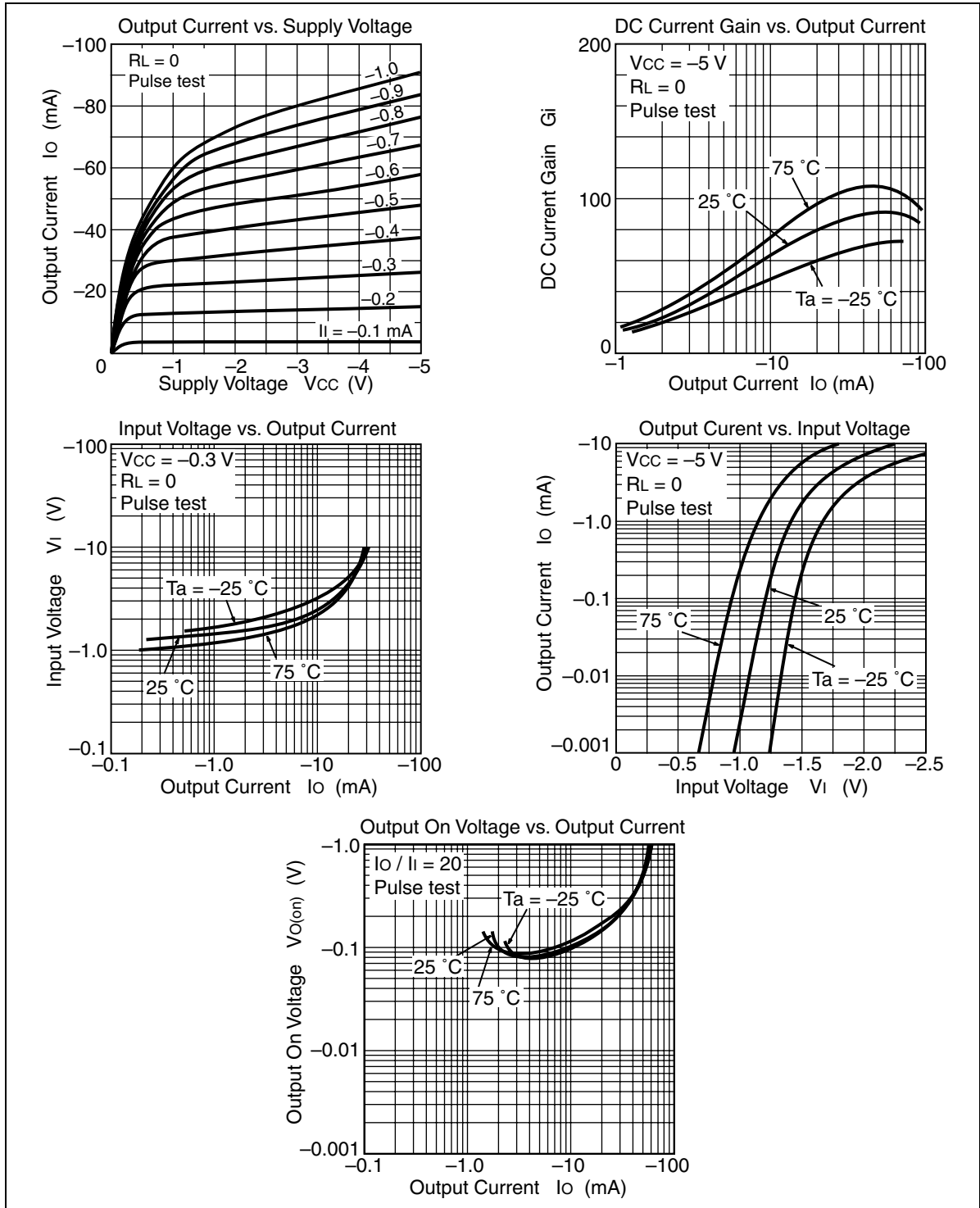


BRA144EMP Series

Main Characteristics (BRA124EMP)

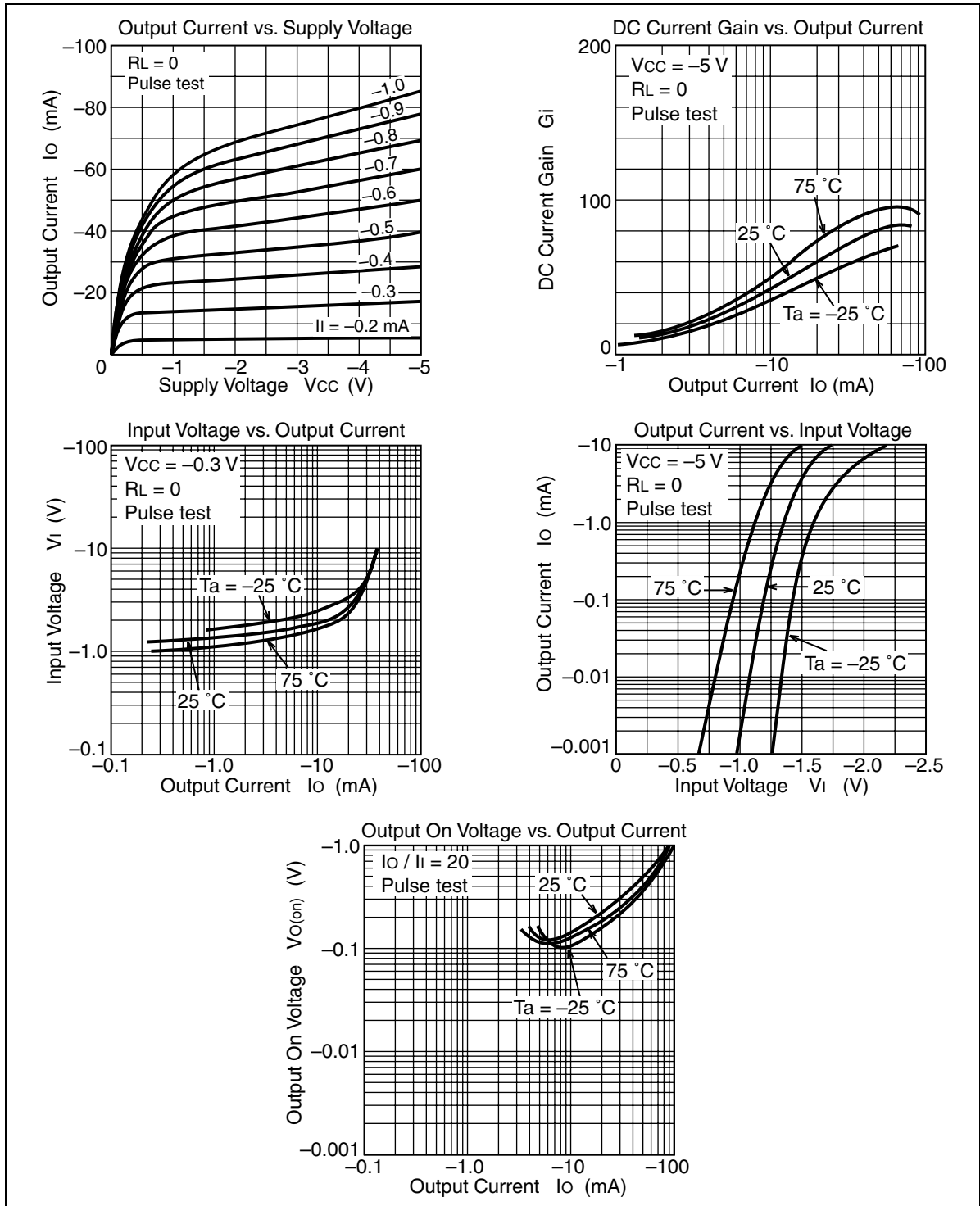


Main Characteristics (BRA114EMP)

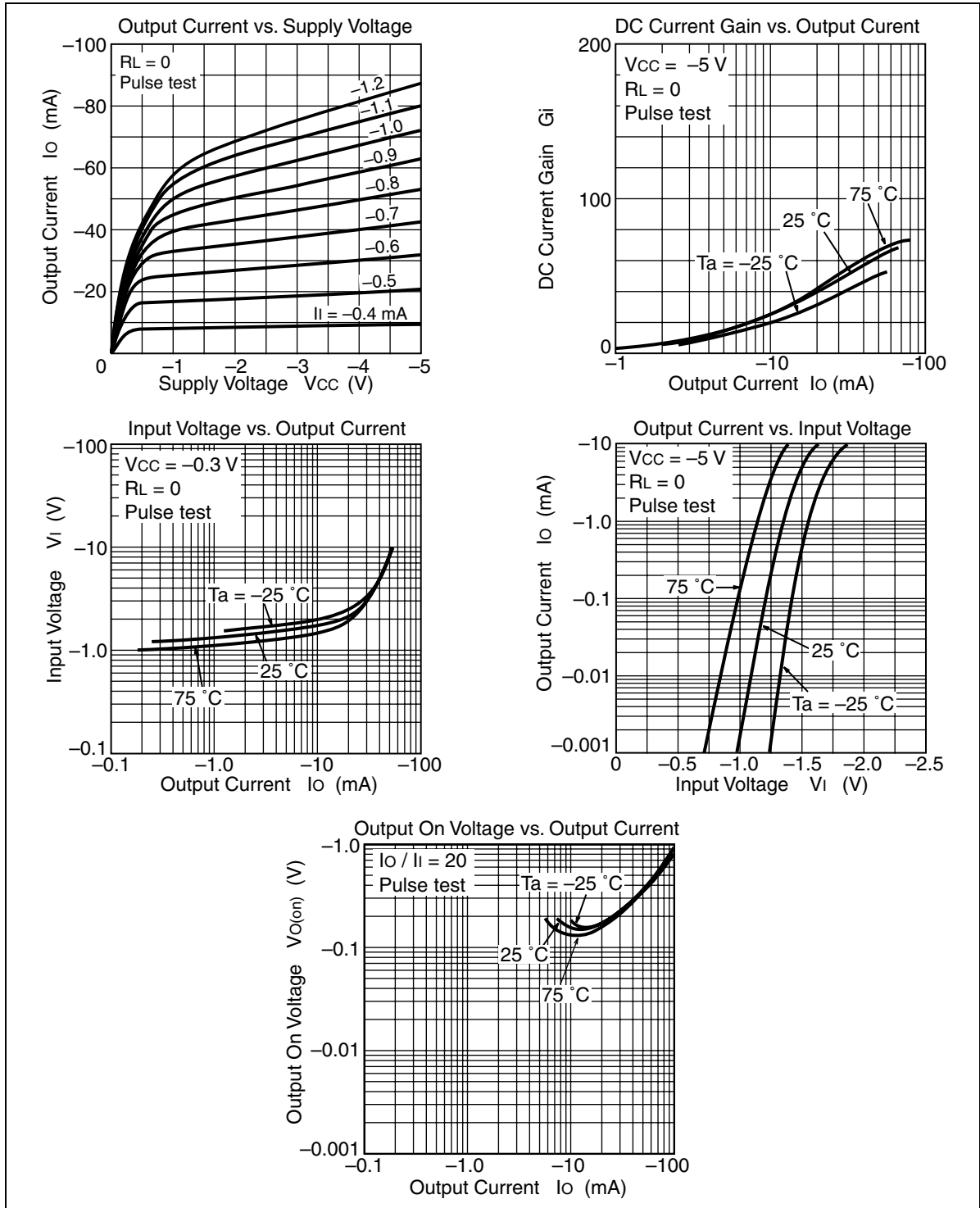


BRA144EMP Series

Main Characteristics (BRA143EMP)



Main Characteristics (BRA123EMP)



BRA144EMP Series

Taping Specification

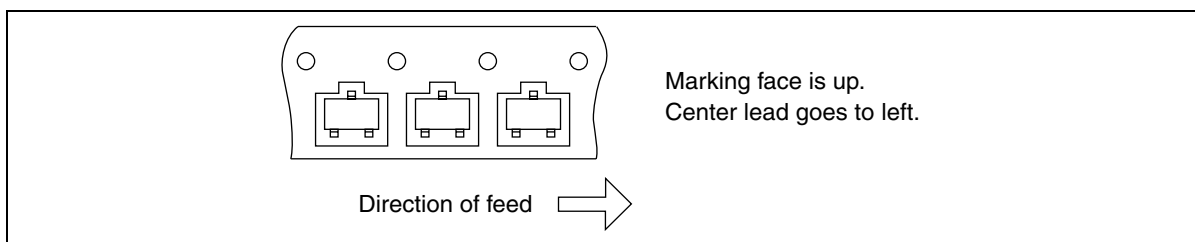
There are two different size reels in MPAK packaging.

Packing to “Left” direction

Purchasing Identification Code

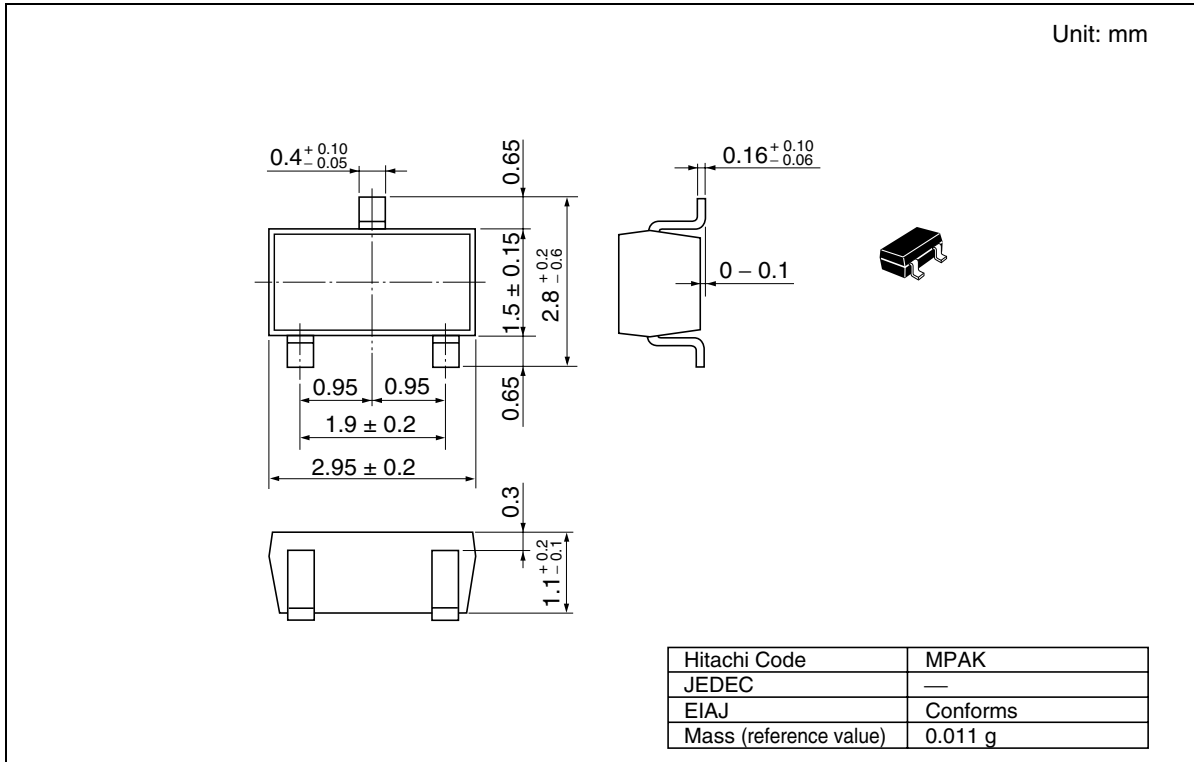
Standard Reel 3000 pcs/reel: Type No. + Mark **TL**

Large Reel 12000 pcs/reel: Type No. + Mark **UL**

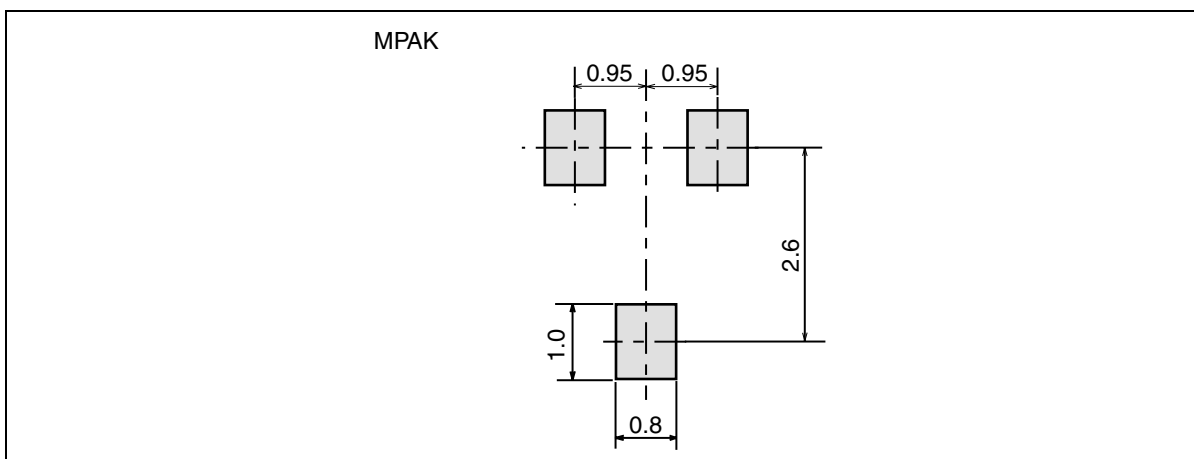


BRA144EMP Series

Package Dimensions



Footprint



BRA144EMP Series

Disclaimer

1. Hitachi neither warrants nor grants licenses of any rights of Hitachi's or any third party's patent, copyright, trademark, or other intellectual property rights for information contained in this document. Hitachi bears no responsibility for problems that may arise with third party's rights, including intellectual property rights, in connection with use of the information contained in this document.
2. Products and product specifications may be subject to change without notice. Confirm that you have received the latest product standards or specifications before final design, purchase or use.
3. Hitachi makes every attempt to ensure that its products are of high quality and reliability. However, contact Hitachi's sales office before using the product in an application that demands especially high quality and reliability or where its failure or malfunction may directly threaten human life or cause risk of bodily injury, such as aerospace, aeronautics, nuclear power, combustion control, transportation, traffic, safety equipment or medical equipment for life support.
4. Design your application so that the product is used within the ranges guaranteed by Hitachi particularly for maximum rating, operating supply voltage range, heat radiation characteristics, installation conditions and other characteristics. Hitachi bears no responsibility for failure or damage when used beyond the guaranteed ranges. Even within the guaranteed ranges, consider normally foreseeable failure rates or failure modes in semiconductor devices and employ systemic measures such as fail-safes, so that the equipment incorporating Hitachi product does not cause bodily injury, fire or other consequential damage due to operation of the Hitachi product.
5. This product is not designed to be radiation resistant.
6. No one is permitted to reproduce or duplicate, in any form, the whole or part of this document without written approval from Hitachi.
7. Contact Hitachi's sales office for any questions regarding this document or Hitachi semiconductor products.

Sales Offices

HITACHI

Hitachi, Ltd.

Semiconductor & Integrated Circuits
Nippon Bldg., 2-6-2, Ohte-machi, Chiyoda-ku, Tokyo 100-0004, Japan
Tel: (03) 3270-2111 Fax: (03) 3270-5109

URL <http://www.hitachisemiconductor.com/>

For further information write to:

Hitachi Semiconductor
(America) Inc.
179 East Tasman Drive
San Jose, CA 95134
Tel: <1> (408) 433-1990
Fax: <1> (408) 433-0223

Hitachi Europe Ltd.
Electronic Components Group
Whitebrook Park

Lower Cookham Road
Maidenhead
Berkshire SL6 8YA, United Kingdom
Tel: <44> (1628) 585000
Fax: <44> (1628) 585200

Hitachi Europe GmbH
Electronic Components Group
Domacher Straße 3
D-85622 Feldkirchen
Postfach 201, D-85619 Feldkirchen
Germany
Tel: <49> (89) 9 9180-0
Fax: <49> (89) 9 29 30 00

Hitachi Asia Ltd.
Hitachi Tower
16 Collyer Quay #20-00
Singapore 049318
Tel: <65>-538-6533/538-8577
Fax: <65>-538-6933/538-3877
URL: <http://semiconductor.hitachi.com.sg>

Hitachi Asia Ltd.
(Taipei Branch Office)
4/F, No. 167, Tun Hwa North Road
Hung-Kuo Building
Taipei (105), Taiwan
Tel: <886>-(2)-2718-3666
Fax: <886>-(2)-2718-8180
Telex: 23222 HAS-TP
URL: <http://www.hitachi.com.tw>

Hitachi Asia (Hong Kong) Ltd.
Group III (Electronic Components)
7/F., North Tower
World Finance Centre,
Harbour City, Canton Road
Tsim Sha Tsui, Kowloon Hong Kong
Tel: <852>-(2)-735-9218
Fax: <852>-(2)-730-0281
URL: <http://semiconductor.hitachi.com.hk>

Copyright © Hitachi, Ltd., 2001. All rights reserved. Printed in Japan.
Colophon 5.0