



## **NTC thermistors for temperature measurement**

Leaded NTCs,  
lead spacing 2.5 mm

**Series/Type:** B57871  
**Date:** March 2006



Temperature measurement

B57871

Leaded NTCs, lead spacing 2.5 mm

S871

**Applications**

- Temperature measurement

**Features**

- High measuring accuracy
- Cost-effective
- Rugged design, epoxy resin encapsulation
- Tinned copper leads
- Lead spacing 2.5 mm

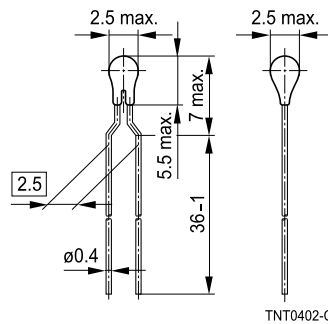
**Options**

Flexible coating of head and wires available on request

**Delivery mode**

Bulk (standard), cardboard tape, reeled or in Ammo pack

**Dimensional drawing**



TNT0402-C

Dimensions in mm  
Approx. weight 120 mg

**General technical data**

Climatic category	(IEC 60068-1)		55/155/56	
Max. power	(at 25 °C)	$P_{25}$	60	mW
Resistance tolerance		$\Delta R_R/R_R$	$\pm 1, \pm 3, \pm 5$	%
Rated temperature		$T_R$	25	°C
Dissipation factor	(in air)	$\delta_{th}$	approx. 3.8	mW/K
Thermal cooling time constant	(in air)	$\tau_c$	approx. 7.5	s
Heat capacity		$C_{th}$	approx. 28.5	mJ/K

**Electrical specification and ordering codes**

$R_{25}$ Ω	No. of R/T characteristic	$B_{25/100}$ K	Ordering code
2.1 k	1008	3560 ±1%	B57871S0212+000
10 k	8016	3988 ±1%	B57871S0103+001
10 k	2908	3460 ±1%	B57871S0103+002
12 k	2901	3760 ±1%	B57871S0123+000
30 k	8018	3964 ±1%	B57871S0303+000

+ = Resistance tolerance  
 F = ±1%  
 H = ±3%  
 J = ±5%



Temperature measurement	B57871
Leaded NTCs, lead spacing 2.5 mm	S871

**Reliability data**

Test	Standard	Test conditions	$\Delta R_{25}/R_{25}$ (typical)	Remarks
Storage in dry heat	IEC 60068-2-2	Storage at upper category temperature T: 155 °C t: 1000 h	< 2%	No visible damage
Storage in damp heat, steady state	IEC 60068-2-78	Temperature of air: 40 °C Relative humidity of air: 93% Duration: 56 days	< 1%	No visible damage
Rapid temperature cycling	IEC 60068-2-14	Lower test temperature: -55 °C Upper test temperature: 155 °C Number of cycles: 100	< 2%	No visible damage
Endurance		P <sub>max</sub> : 60 mW t: 1000 h	< 3%	No visible damage
Long-term stability (empirical value)		Temperature: 70 °C t: 10000 h	< 3%	No visible damage



Temperature measurement	B57871
Leaded NTCs, lead spacing 2.5 mm	S871

R/T characteristics

B57871S0212F000						
R/T No.	1008					
T (°C)	B <sub>25/100</sub> = 3560 K, R <sub>25</sub> = 2100 Ω, T <sub>R</sub> = 25 °C, ΔR <sub>R</sub> /R <sub>R</sub> = ± 1%					
	R <sub>nom</sub> [Ω]	R <sub>min</sub> [Ω]	R <sub>max</sub> [Ω]	ΔR <sub>R</sub> /R <sub>R</sub> [±%]	ΔT[±°C]	α (%/K)
-55.0	111520	105460	117570	5.4	0.9	6.1
-50.0	82567	78386	86747	5.1	0.8	6.0
-45.0	61583	58680	64486	4.7	0.8	5.8
-40.0	46263	44237	48289	4.4	0.8	5.7
-35.0	34999	33579	36420	4.1	0.7	5.5
-30.0	26661	25661	27661	3.8	0.7	5.4
-25.0	20423	19717	21128	3.5	0.7	5.2
-20.0	15786	15285	16287	3.2	0.6	5.1
-15.0	12254	11899	12609	2.9	0.6	4.9
-10.0	9594	9341	9847	2.6	0.5	4.8
-5.0	7570	7390	7751	2.4	0.5	4.7
0.0	6020	5891	6149	2.1	0.5	4.5
5.0	4811	4719	4902	1.9	0.4	4.4
10.0	3872	3807	3937	1.7	0.4	4.3
15.0	3133	3087	3179	1.5	0.4	4.1
20.0	2552	2520	2584	1.3	0.3	4.0
<b>25.0</b>	<b>2100</b>	<b>2079</b>	<b>2121</b>	<b>1.0</b>	<b>0.3</b>	<b>3.9</b>
30.0	1742	1721	1764	1.2	0.3	3.8
35.0	1441	1421	1462	1.4	0.4	3.7
40.0	1199	1180	1219	1.6	0.5	3.6
45.0	1008	990.2	1026	1.8	0.5	3.5
50.0	851.4	834.6	868.2	2.0	0.6	3.4
55.0	717.6	702.2	732.9	2.1	0.6	3.3
60.0	608.0	594.0	622.0	2.3	0.7	3.2
65.0	519.0	506.2	531.8	2.5	0.8	3.1
70.0	444.8	433.2	456.5	2.6	0.9	3.1
75.0	382.1	371.5	392.6	2.8	0.9	3.0
80.0	329.3	319.7	338.9	2.9	1.0	2.9
85.0	285.4	276.7	294.1	3.1	1.1	2.8
90.0	248.3	240.4	256.2	3.2	1.2	2.8
95.0	217.1	209.9	224.3	3.3	1.2	2.7
100.0	190.6	184.0	197.1	3.4	1.3	2.6
105.0	167.2	161.3	173.2	3.6	1.4	2.6
110.0	147.2	141.8	152.7	3.7	1.5	2.5
115.0	130.0	125.0	134.9	3.8	1.6	2.4
120.0	115.0	110.5	119.6	3.9	1.6	2.4
125.0	102.3	98.14	106.4	4.0	1.7	2.3
130.0	91.17	87.38	94.96	4.2	1.8	2.3
135.0	81.32	77.85	84.79	4.3	1.9	2.2



Temperature measurement	B57871
Leaded NTCs, lead spacing 2.5 mm	S871

<b>B57871S0212F000</b>						
R/T No.	1008					
T (°C)	B <sub>25/100</sub> = 3560 K, R <sub>25</sub> = 2100 Ω, T <sub>R</sub> = 25 °C, ΔR <sub>R</sub> /R <sub>R</sub> = ± 1%					
	R <sub>nom</sub> [Ω]	R <sub>min</sub> [Ω]	R <sub>max</sub> [Ω]	ΔR <sub>R</sub> /R <sub>R</sub> [±%]	ΔT[±°C]	α (%/K)
140.0	72.69	69.51	75.87	4.4	2.0	2.2
145.0	65.20	62.28	68.12	4.5	2.1	2.1
150.0	58.61	55.93	61.29	4.6	2.2	2.1
155.0	52.91	50.43	55.38	4.7	2.3	2.0

<b>B57871S0212H000</b>						
R/T No.	1008					
T (°C)	B <sub>25/100</sub> = 3560 K, R <sub>25</sub> = 2100 Ω, T <sub>R</sub> = 25 °C, ΔR <sub>R</sub> /R <sub>R</sub> = ± 3%					
	R <sub>nom</sub> [Ω]	R <sub>min</sub> [Ω]	R <sub>max</sub> [Ω]	ΔR <sub>R</sub> /R <sub>R</sub> [±%]	ΔT[±°C]	α (%/K)
-55.0	111520	103230	119800	7.4	1.2	6.1
-50.0	82567	76735	88399	7.1	1.2	6.0
-45.0	61583	57449	65717	6.7	1.2	5.8
-40.0	46263	43312	49214	6.4	1.1	5.7
-35.0	34999	32879	37120	6.1	1.1	5.5
-30.0	26661	25128	28194	5.8	1.1	5.4
-25.0	20423	19308	21537	5.5	1.0	5.2
-20.0	15786	14969	16602	5.2	1.0	5.1
-15.0	12254	11654	12854	4.9	1.0	4.9
-10.0	9594	9149	10039	4.6	1.0	4.8
-5.0	7570	7238	7903	4.4	0.9	4.7
0.0	6020	5770	6269	4.1	0.9	4.5
5.0	4811	4622	4999	3.9	0.9	4.4
10.0	3872	3729	4014	3.7	0.9	4.3
15.0	3133	3025	3242	3.5	0.8	4.1
20.0	2552	2469	2635	3.3	0.8	4.0
<b>25.0</b>	<b>2100</b>	<b>2037</b>	<b>2163</b>	<b>3.0</b>	<b>0.8</b>	<b>3.9</b>
30.0	1742	1686	1799	3.2	0.9	3.8
35.0	1441	1392	1491	3.4	0.9	3.7
40.0	1199	1156	1243	3.6	1.0	3.6
45.0	1008	970.0	1047	3.8	1.1	3.5
50.0	851.4	817.6	885.3	4.0	1.2	3.4
55.0	717.6	687.9	747.3	4.1	1.2	3.3
60.0	608.0	581.8	634.2	4.3	1.3	3.2
65.0	519.0	495.8	542.2	4.5	1.4	3.1
70.0	444.8	424.3	465.4	4.6	1.5	3.1
75.0	382.1	363.9	400.3	4.8	1.6	3.0
80.0	329.3	313.1	345.5	4.9	1.7	2.9
85.0	285.4	271.0	299.8	5.1	1.8	2.8
90.0	248.3	235.4	261.1	5.2	1.9	2.8



<b>Temperature measurement</b>	<b>B57871</b>
<b>Leaded NTCs, lead spacing 2.5 mm</b>	<b>S871</b>

<b>B57871S0212H000</b>						
R/T No.	1008					
T (°C)	B <sub>25/100</sub> = 3560 K, R <sub>25</sub> = 2100 Ω, T <sub>R</sub> = 25 °C, ΔR <sub>R</sub> /R <sub>R</sub> = ± 3%					
	R <sub>noml</sub> [Ω]	R <sub>min</sub> [Ω]	R <sub>max</sub> [Ω]	ΔR <sub>R</sub> /R <sub>R</sub> [±%]	ΔT[±°C]	α (%/K)
95.0	217.1	205.6	228.7	5.3	2.0	2.7
100.0	190.6	180.2	200.9	5.4	2.1	2.6
105.0	167.2	157.9	176.6	5.6	2.2	2.6
110.0	147.2	138.8	155.6	5.7	2.3	2.5
115.0	130.0	122.4	137.5	5.8	2.4	2.4
120.0	115.0	108.2	121.9	5.9	2.5	2.4
125.0	102.3	96.10	108.5	6.0	2.6	2.3
130.0	91.17	85.56	96.79	6.2	2.7	2.3
135.0	81.32	76.22	86.41	6.3	2.8	2.2
140.0	72.69	68.06	77.33	6.4	2.9	2.2
145.0	65.20	60.98	69.42	6.5	3.0	2.1
150.0	58.61	54.76	62.47	6.6	3.2	2.1
155.0	52.91	49.37	56.44	6.7	3.3	2.0

<b>B57871S0212J000</b>						
R/T No.	1008					
T (°C)	B <sub>25/100</sub> = 3560 K, R <sub>25</sub> = 2100 Ω, T <sub>R</sub> = 25 °C, ΔR <sub>R</sub> /R <sub>R</sub> = ± 5%					
	R <sub>noml</sub> [Ω]	R <sub>min</sub> [Ω]	R <sub>max</sub> [Ω]	ΔR <sub>R</sub> /R <sub>R</sub> [±%]	ΔT[±°C]	α (%/K)
-55.0	111520	101000	122030	9.4	1.5	6.1
-50.0	82567	75084	90050	9.1	1.5	6.0
-45.0	61583	56217	66949	8.7	1.5	5.8
-40.0	46263	42387	50139	8.4	1.5	5.7
-35.0	34999	32179	37820	8.1	1.5	5.5
-30.0	26661	24595	28728	7.8	1.4	5.4
-25.0	20423	18900	21945	7.5	1.4	5.2
-20.0	15786	14654	16918	7.2	1.4	5.1
-15.0	12254	11408	13100	6.9	1.4	4.9
-10.0	9594	8957	10231	6.6	1.4	4.8
-5.0	7570	7087	8054	6.4	1.4	4.7
0.0	6020	5650	6389	6.1	1.4	4.5
5.0	4811	4526	5095	5.9	1.3	4.4
10.0	3872	3652	4092	5.7	1.3	4.3
15.0	3133	2962	3304	5.5	1.3	4.1
20.0	2552	2418	2687	5.3	1.3	4.0
<b>25.0</b>	<b>2100</b>	<b>1995</b>	<b>2205</b>	<b>5.0</b>	<b>1.3</b>	<b>3.9</b>
30.0	1742	1651	1834	5.2	1.4	3.8
35.0	1441	1363	1520	5.4	1.5	3.7
40.0	1199	1132	1267	5.6	1.6	3.6
45.0	1008	949.8	1067	5.8	1.7	3.5



<b>Temperature measurement</b>	<b>B57871</b>
<b>Leaded NTCs, lead spacing 2.5 mm</b>	<b>S871</b>

<b>B57871S0212J000</b>						
R/T No.	1008					
T (°C)	B <sub>25/100</sub> = 3560 K, R <sub>25</sub> = 2100 Ω, T <sub>R</sub> = 25 °C, ΔR <sub>R</sub> /R <sub>R</sub> = ± 5%					
	R <sub>nom</sub> [Ω]	R <sub>min</sub> [Ω]	R <sub>max</sub> [Ω]	ΔR <sub>R</sub> /R <sub>R</sub> [±%]	ΔT[±°C]	α (%/K)
50.0	851.4	800.6	902.3	6.0	1.8	3.4
55.0	717.6	673.5	761.6	6.1	1.9	3.3
60.0	608.0	569.7	646.3	6.3	2.0	3.2
65.0	519.0	485.5	552.5	6.5	2.1	3.1
70.0	444.8	415.4	474.3	6.6	2.2	3.1
75.0	382.1	356.2	407.9	6.8	2.3	3.0
80.0	329.3	306.5	352.0	6.9	2.4	2.9
85.0	285.4	265.3	305.5	7.1	2.5	2.8
90.0	248.3	230.4	266.1	7.2	2.6	2.8
95.0	217.1	201.2	233.0	7.3	2.7	2.7
100.0	190.6	176.4	204.8	7.4	2.8	2.6
105.0	167.2	154.6	179.9	7.6	3.0	2.6
110.0	147.2	135.9	158.5	7.7	3.1	2.5
115.0	130.0	119.8	140.1	7.8	3.2	2.4
120.0	115.0	105.9	124.2	7.9	3.3	2.4
125.0	102.3	94.05	110.5	8.0	3.4	2.3
130.0	91.17	83.73	98.61	8.2	3.6	2.3
135.0	81.32	74.59	88.04	8.3	3.7	2.2
140.0	72.69	66.61	78.78	8.4	3.8	2.2
145.0	65.20	59.67	70.73	8.5	4.0	2.1
150.0	58.61	53.58	63.64	8.6	4.1	2.1
155.0	52.91	48.32	57.50	8.7	4.3	2.0

<b>B57871S0103F001</b>						
R/T No.	8016					
T (°C)	B <sub>25/100</sub> = 3988 K, R <sub>25</sub> = 10000 Ω, T <sub>R</sub> = 25 °C, ΔR <sub>R</sub> /R <sub>R</sub> = ± 1%					
	R <sub>nom</sub> [Ω]	R <sub>min</sub> [Ω]	R <sub>max</sub> [Ω]	ΔR <sub>R</sub> /R <sub>R</sub> [±%]	ΔT[±°C]	α (%/K)
-55.0	963050	905700	1020400	6.0	0.8	7.4
-50.0	670100	632940	707260	5.5	0.8	7.1
-45.0	471690	447380	496000	5.2	0.7	6.9
-40.0	336500	320420	352580	4.8	0.7	6.7
-35.0	242590	231870	253310	4.4	0.7	6.4
-30.0	177000	169790	184210	4.1	0.7	6.2
-25.0	130370	125490	135250	3.7	0.6	6.0
-20.0	97070	93743	100400	3.4	0.6	5.8
-15.0	72929	70652	75206	3.1	0.6	5.6
-10.0	55330	53765	56895	2.8	0.5	5.4
-5.0	42315	41237	43393	2.5	0.5	5.3
0.0	32650	31907	33393	2.3	0.4	5.1



Temperature measurement

B57871

Leaded NTCs, lead spacing 2.5 mm

S871

B57871S0103F001						
R/T No.	8016					
T (°C)	B <sub>25/100</sub> = 3988 K, R <sub>25</sub> = 10000 Ω, T <sub>R</sub> = 25 °C, ΔR <sub>R</sub> /R <sub>R</sub> = ± 1%					
	R <sub>noml</sub> [Ω]	R <sub>min</sub> [Ω]	R <sub>max</sub> [Ω]	ΔR <sub>R</sub> /R <sub>R</sub> [±%]	ΔT[±°C]	α (%/K)
5.0	25388	24877	25898	2.0	0.4	5.0
10.0	19900	19550	20250	1.8	0.4	4.8
15.0	15708	15470	15946	1.5	0.3	4.7
20.0	12490	12330	12650	1.3	0.3	4.5
<b>25.0</b>	<b>10000</b>	<b>9900</b>	<b>10100</b>	<b>1.0</b>	<b>0.2</b>	<b>4.4</b>
30.0	8057	7955	8159	1.3	0.3	4.3
35.0	6531	6434	6628	1.5	0.4	4.1
40.0	5327	5237	5417	1.7	0.4	4.0
45.0	4369	4286	4451	1.9	0.5	3.9
50.0	3603	3528	3678	2.1	0.5	3.8
55.0	2986	2918	3054	2.3	0.6	3.7
60.0	2488	2427	2549	2.5	0.7	3.6
65.0	2083	2028	2138	2.6	0.8	3.5
70.0	1752	1703	1801	2.8	0.8	3.4
75.0	1481	1437	1525	3.0	0.9	3.3
80.0	1258	1219	1297	3.1	1.0	3.2
85.0	1072	1037	1108	3.3	1.0	3.2
90.0	917.7	886.1	949.3	3.4	1.1	3.1
95.0	788.5	760.2	816.9	3.6	1.2	3.0
100.0	680.0	654.6	705.4	3.7	1.3	2.9
105.0	588.6	565.8	611.4	3.9	1.4	2.9
110.0	511.2	490.7	531.7	4.0	1.4	2.8
115.0	445.4	426.9	463.9	4.2	1.5	2.7
120.0	389.3	372.6	406.0	4.3	1.6	2.7
125.0	341.7	326.6	356.8	4.4	1.7	2.6
130.0	300.9	287.3	314.5	4.5	1.8	2.5
135.0	265.4	253.1	277.8	4.7	1.9	2.5
140.0	234.8	223.6	246.0	4.8	2.0	2.4
145.0	208.3	198.1	218.5	4.9	2.1	2.4
150.0	185.3	176.0	194.6	5.0	2.2	2.3
155.0	165.3	156.9	173.8	5.1	2.3	2.3

B57871S0103H001						
R/T No.	8016					
T (°C)	B <sub>25/100</sub> = 3988 K, R <sub>25</sub> = 10000 Ω, T <sub>R</sub> = 25 °C, ΔR <sub>R</sub> /R <sub>R</sub> = ± 3%					
	R <sub>noml</sub> [Ω]	R <sub>min</sub> [Ω]	R <sub>max</sub> [Ω]	ΔR <sub>R</sub> /R <sub>R</sub> [±%]	ΔT[±°C]	α (%/K)
-55.0	963050	886440	1039700	8.0	1.1	7.4
-50.0	670100	619540	720660	7.5	1.1	7.1
-45.0	471690	437940	505430	7.2	1.0	6.9





Temperature measurement	B57871
Leaded NTCs, lead spacing 2.5 mm	S871

<b>B57871S0103H001</b>						
R/T No.	8016					
T (°C)	B <sub>25/100</sub> = 3988 K, R <sub>25</sub> = 10000 Ω, T <sub>R</sub> = 25 °C, ΔR <sub>R</sub> /R <sub>R</sub> = ± 3%					
	R <sub>noml</sub> [Ω]	R <sub>minl</sub> [Ω]	R <sub>maxl</sub> [Ω]	ΔR <sub>R</sub> /R <sub>R</sub> [±%]	ΔT[±°C]	α (%/K)
-40.0	336500	313690	359310	6.8	1.0	6.7
-35.0	242590	227020	258160	6.4	1.0	6.4
-30.0	177000	166250	187750	6.1	1.0	6.2
-25.0	130370	122880	137860	5.7	1.0	6.0
-20.0	97070	91801	102340	5.4	0.9	5.8
-15.0	72929	69193	76665	5.1	0.9	5.6
-10.0	55330	52658	58002	4.8	0.9	5.4
-5.0	42315	40391	44239	4.5	0.9	5.3
0.0	32650	31254	34046	4.3	0.8	5.1
5.0	25388	24369	26406	4.0	0.8	5.0
10.0	19900	19152	20648	3.8	0.8	4.8
15.0	15708	15156	16260	3.5	0.8	4.7
20.0	12490	12081	12899	3.3	0.7	4.5
<b>25.0</b>	<b>10000</b>	<b>9700</b>	<b>10300</b>	<b>3.0</b>	<b>0.7</b>	<b>4.4</b>
30.0	8057	7793	8321	3.3	0.8	4.3
35.0	6531	6304	6759	3.5	0.8	4.1
40.0	5327	5130	5524	3.7	0.9	4.0
45.0	4369	4199	4539	3.9	1.0	3.9
50.0	3603	3456	3750	4.1	1.1	3.8
55.0	2986	2859	3114	4.3	1.2	3.7
60.0	2488	2377	2599	4.5	1.2	3.6
65.0	2083	1987	2180	4.6	1.3	3.5
70.0	1752	1668	1836	4.8	1.4	3.4
75.0	1481	1408	1555	5.0	1.5	3.3
80.0	1258	1193	1323	5.1	1.6	3.2
85.0	1072	1016	1129	5.3	1.7	3.2
90.0	917.7	867.7	967.7	5.4	1.8	3.1
95.0	788.5	744.4	832.6	5.6	1.9	3.0
100.0	680.0	641.0	719.0	5.7	2.0	2.9
105.0	588.6	554.0	623.2	5.9	2.1	2.9
110.0	511.2	480.4	542.0	6.0	2.2	2.8
115.0	445.4	418.0	472.8	6.2	2.3	2.7
120.0	389.3	364.8	413.8	6.3	2.4	2.7
125.0	341.7	319.8	363.6	6.4	2.5	2.6
130.0	300.9	281.2	320.6	6.5	2.6	2.5
135.0	265.4	247.8	283.1	6.7	2.7	2.5
140.0	234.8	218.9	250.7	6.8	2.8	2.4
145.0	208.3	194.0	222.7	6.9	2.9	2.4
150.0	185.3	172.3	198.3	7.0	3.0	2.3
155.0	165.3	153.6	177.1	7.1	3.1	2.3



Temperature measurement	B57871
Leaded NTCs, lead spacing 2.5 mm	S871

<b>B57871S0103J001</b>						
R/T No.	8016					
T (°C)	B <sub>25/100</sub> = 3988 K, R <sub>25</sub> = 10000 Ω, T <sub>R</sub> = 25 °C, ΔR <sub>R</sub> /R <sub>R</sub> = ± 5%					
	R <sub>noml</sub> [Ω]	R <sub>min</sub> [Ω]	R <sub>max</sub> [Ω]	ΔR <sub>R</sub> /R <sub>R</sub> [±%]	ΔT[±°C]	α (%/K)
-55.0	963050	867180	1058900	10.0	1.3	7.4
-50.0	670100	606140	734070	9.5	1.3	7.1
-45.0	471690	428510	514870	9.2	1.3	6.9
-40.0	336500	306960	366040	8.8	1.3	6.7
-35.0	242590	222160	263020	8.4	1.3	6.4
-30.0	177000	162710	191290	8.1	1.3	6.2
-25.0	130370	120270	140470	7.7	1.3	6.0
-20.0	97070	89860	104280	7.4	1.3	5.8
-15.0	72929	67735	78124	7.1	1.3	5.6
-10.0	55330	51551	59108	6.8	1.3	5.4
-5.0	42315	39545	45085	6.5	1.2	5.3
0.0	32650	30601	34699	6.3	1.2	5.1
5.0	25388	23861	26914	6.0	1.2	5.0
10.0	19900	18754	21046	5.8	1.2	4.8
15.0	15708	14842	16574	5.5	1.2	4.7
20.0	12490	11831	13149	5.3	1.2	4.5
<b>25.0</b>	<b>10000</b>	<b>9500</b>	<b>10500</b>	<b>5.0</b>	<b>1.1</b>	<b>4.4</b>
30.0	8057	7632	8482	5.3	1.2	4.3
35.0	6531	6173	6889	5.5	1.3	4.1
40.0	5327	5024	5630	5.7	1.4	4.0
45.0	4369	4111	4626	5.9	1.5	3.9
50.0	3603	3384	3822	6.1	1.6	3.8
55.0	2986	2799	3174	6.3	1.7	3.7
60.0	2488	2327	2649	6.5	1.8	3.6
65.0	2083	1945	2221	6.6	1.9	3.5
70.0	1752	1633	1871	6.8	2.0	3.4
75.0	1481	1378	1585	7.0	2.1	3.3
80.0	1258	1168	1348	7.1	2.2	3.2
85.0	1072	994.2	1151	7.3	2.3	3.2
90.0	917.7	849.4	986.0	7.4	2.4	3.1
95.0	788.5	728.6	848.4	7.6	2.5	3.0
100.0	680.0	627.4	732.6	7.7	2.6	2.9
105.0	588.6	542.2	635.0	7.9	2.8	2.9
110.0	511.2	470.2	552.2	8.0	2.9	2.8
115.0	445.4	409.1	481.7	8.2	3.0	2.7
120.0	389.3	357.1	421.5	8.3	3.1	2.7
125.0	341.7	313.0	370.4	8.4	3.2	2.6
130.0	300.9	275.2	326.6	8.5	3.4	2.5
135.0	265.4	242.5	288.4	8.7	3.5	2.5



Temperature measurement	B57871
Leaded NTCs, lead spacing 2.5 mm	S871

<b>B57871S0103J001</b>						
R/T No.	8016					
T (°C)	B <sub>25/100</sub> = 3988 K, R <sub>25</sub> = 10000 Ω, T <sub>R</sub> = 25 °C, ΔR <sub>R</sub> /R <sub>R</sub> = ± 5%					
	R <sub>nom</sub> [Ω]	R <sub>min</sub> [Ω]	R <sub>max</sub> [Ω]	ΔR <sub>R</sub> /R <sub>R</sub> [±%]	ΔT[±°C]	α (%/K)
140.0	234.8	214.2	255.4	8.8	3.6	2.4
145.0	208.3	189.8	226.8	8.9	3.8	2.4
150.0	185.3	168.6	202.0	9.0	3.9	2.3
155.0	165.3	150.3	180.4	9.1	4.0	2.3

<b>B57871S0103F002</b>						
R/T No.	2908					
T (°C)	B <sub>25/100</sub> = 3460 K, R <sub>25</sub> = 10000 Ω, T <sub>R</sub> = 25 °C, ΔR <sub>R</sub> /R <sub>R</sub> = ± 1%					
	R <sub>nom</sub> [Ω]	R <sub>min</sub> [Ω]	R <sub>max</sub> [Ω]	ΔR <sub>R</sub> /R <sub>R</sub> [±%]	ΔT[±°C]	α (%/K)
-55.0	453130	429090	477170	5.3	0.9	6.0
-50.0	337290	320600	353990	5.0	0.9	5.8
-45.0	253330	241650	265010	4.6	0.8	5.6
-40.0	191910	183680	200130	4.3	0.8	5.5
-35.0	146590	140770	152420	4.0	0.7	5.3
-30.0	112880	108730	117030	3.7	0.7	5.1
-25.0	87588	84620	90556	3.4	0.7	5.0
-20.0	68471	66339	70602	3.1	0.6	4.9
-15.0	53910	52375	55446	2.8	0.6	4.7
-10.0	42739	41631	43848	2.6	0.6	4.6
-5.0	34109	33308	34910	2.3	0.5	4.4
0.0	27396	26817	27974	2.1	0.5	4.3
5.0	22140	21722	22557	1.9	0.4	4.2
10.0	17999	17699	18298	1.7	0.4	4.1
15.0	14716	14502	14930	1.5	0.4	4.0
20.0	12099	11948	12250	1.2	0.3	3.9
<b>25.0</b>	<b>10000</b>	<b>9900</b>	<b>10100</b>	<b>1.0</b>	<b>0.3</b>	<b>3.8</b>
30.0	8308	8205	8411	1.2	0.3	3.7
35.0	6936	6837	7035	1.4	0.4	3.6
40.0	5819	5725	5912	1.6	0.5	3.5
45.0	4904	4816	4991	1.8	0.5	3.4
50.0	4151	4070	4232	1.9	0.6	3.3
55.0	3529	3454	3603	2.1	0.7	3.2
60.0	3012	2944	3081	2.3	0.7	3.1
65.0	2582	2519	2644	2.4	0.8	3.0
70.0	2221	2164	2278	2.6	0.9	3.0
75.0	1918	1866	1970	2.7	0.9	2.9
80.0	1663	1615	1710	2.9	1.0	2.8
85.0	1446	1403	1489	3.0	1.1	2.8
90.0	1262	1222	1301	3.1	1.2	2.7



<b>Temperature measurement</b>	<b>B57871</b>
<b>Leaded NTCs, lead spacing 2.5 mm</b>	<b>S871</b>

<b>B57871S0103F002</b>						
R/T No.	2908					
T (°C)	B <sub>25/100</sub> = 3460 K, R <sub>25</sub> = 10000 Ω, T <sub>R</sub> = 25 °C, ΔR <sub>R</sub> /R <sub>R</sub> = ± 1%					
	R <sub>nom</sub> [Ω]	R <sub>min</sub> [Ω]	R <sub>max</sub> [Ω]	ΔR <sub>R</sub> /R <sub>R</sub> [±%]	ΔT[±°C]	α (%/K)
95.0	1105	1069	1141	3.3	1.2	2.6
100.0	970.2	937.4	1003	3.4	1.3	2.6
105.0	854.6	824.7	884.6	3.5	1.4	2.5
110.0	755.1	727.7	782.4	3.6	1.5	2.4
115.0	669.0	644.0	694.0	3.7	1.6	2.4
120.0	594.4	571.5	617.3	3.9	1.6	2.3
125.0	529.5	508.5	550.5	4.0	1.7	2.3
130.0	472.9	453.6	492.2	4.1	1.8	2.2
135.0	423.4	405.7	441.1	4.2	1.9	2.2
140.0	380.0	363.8	396.3	4.3	2.0	2.1
145.0	341.9	326.9	356.9	4.4	2.1	2.1
150.0	308.3	294.5	322.1	4.5	2.2	2.0
155.0	278.6	265.8	291.3	4.6	2.3	2.0

<b>B57871S0103H002</b>						
R/T No.	2908					
T (°C)	B <sub>25/100</sub> = 3460 K, R <sub>25</sub> = 10000 Ω, T <sub>R</sub> = 25 °C, ΔR <sub>R</sub> /R <sub>R</sub> = ± 3%					
	R <sub>nom</sub> [Ω]	R <sub>min</sub> [Ω]	R <sub>max</sub> [Ω]	ΔR <sub>R</sub> /R <sub>R</sub> [±%]	ΔT[±°C]	α (%/K)
-55.0	453130	420030	486230	7.3	1.2	6.0
-50.0	337290	313850	360740	7.0	1.2	5.8
-45.0	253330	236580	270070	6.6	1.2	5.6
-40.0	191910	179850	203970	6.3	1.1	5.5
-35.0	146590	137840	155350	6.0	1.1	5.3
-30.0	112880	106470	119280	5.7	1.1	5.1
-25.0	87588	82868	92307	5.4	1.1	5.0
-20.0	68471	64970	71971	5.1	1.1	4.9
-15.0	53910	51296	56524	4.8	1.0	4.7
-10.0	42739	40776	44702	4.6	1.0	4.6
-5.0	34109	32626	35592	4.3	1.0	4.4
0.0	27396	26269	28522	4.1	1.0	4.3
5.0	22140	21280	23000	3.9	0.9	4.2
10.0	17999	17339	18658	3.7	0.9	4.1
15.0	14716	14208	15224	3.5	0.9	4.0
20.0	12099	11706	12492	3.2	0.8	3.9
<b>25.0</b>	<b>10000</b>	<b>9700</b>	<b>10300</b>	<b>3.0</b>	<b>0.8</b>	<b>3.8</b>
30.0	8308	8038	8577	3.2	0.9	3.7
35.0	6936	6698	7174	3.4	1.0	3.6
40.0	5819	5609	6028	3.6	1.0	3.5
45.0	4904	4718	5089	3.8	1.1	3.4



Temperature measurement	B57871
Leaded NTCs, lead spacing 2.5 mm	S871

<b>B57871S0103H002</b>						
R/T No.	2908					
T (°C)	B <sub>25/100</sub> = 3460 K, R <sub>25</sub> = 10000 Ω, T <sub>R</sub> = 25 °C, ΔR <sub>R</sub> /R <sub>R</sub> = ± 3%					
	R <sub>nom</sub> [Ω]	R <sub>min</sub> [Ω]	R <sub>max</sub> [Ω]	ΔR <sub>R</sub> /R <sub>R</sub> [±%]	ΔT[±°C]	α (%/K)
50.0	4151	3987	4315	3.9	1.2	3.3
55.0	3529	3384	3674	4.1	1.3	3.2
60.0	3012	2884	3141	4.3	1.4	3.1
65.0	2582	2468	2696	4.4	1.5	3.0
70.0	2221	2120	2323	4.6	1.5	3.0
75.0	1918	1828	2009	4.7	1.6	2.9
80.0	1663	1582	1743	4.9	1.7	2.8
85.0	1446	1374	1518	5.0	1.8	2.8
90.0	1262	1197	1327	5.1	1.9	2.7
95.0	1105	1047	1163	5.3	2.0	2.6
100.0	970.2	918.0	1022	5.4	2.1	2.6
105.0	854.6	807.6	901.7	5.5	2.2	2.5
110.0	755.1	712.6	797.5	5.6	2.3	2.4
115.0	669.0	630.6	707.4	5.7	2.4	2.4
120.0	594.4	559.6	629.2	5.9	2.5	2.3
125.0	529.5	497.9	561.1	6.0	2.6	2.3
130.0	472.9	444.2	501.6	6.1	2.7	2.2
135.0	423.4	397.3	449.6	6.2	2.8	2.2
140.0	380.0	356.2	403.9	6.3	2.9	2.1
145.0	341.9	320.1	363.7	6.4	3.0	2.1
150.0	308.3	288.3	328.3	6.5	3.2	2.0
155.0	278.6	260.3	296.9	6.6	3.3	2.0

<b>B57871S0103J002</b>						
R/T No.	2908					
T (°C)	B <sub>25/100</sub> = 3460 K, R <sub>25</sub> = 10000 Ω, T <sub>R</sub> = 25 °C, ΔR <sub>R</sub> /R <sub>R</sub> = ± 5%					
	R <sub>nom</sub> [Ω]	R <sub>min</sub> [Ω]	R <sub>max</sub> [Ω]	ΔR <sub>R</sub> /R <sub>R</sub> [±%]	ΔT[±°C]	α (%/K)
-55.0	453130	410960	495300	9.3	1.6	6.0
-50.0	337290	307100	367480	9.0	1.5	5.8
-45.0	253330	231510	275140	8.6	1.5	5.6
-40.0	191910	176010	207810	8.3	1.5	5.5
-35.0	146590	134900	158280	8.0	1.5	5.3
-30.0	112880	104210	121540	7.7	1.5	5.1
-25.0	87588	81117	94059	7.4	1.5	5.0
-20.0	68471	63600	73341	7.1	1.5	4.9
-15.0	53910	50218	57602	6.8	1.5	4.7
-10.0	42739	39921	45557	6.6	1.4	4.6
-5.0	34109	31943	36274	6.3	1.4	4.4
0.0	27396	25721	29070	6.1	1.4	4.3



<b>Temperature measurement</b>	<b>B57871</b>
<b>Leaded NTCs, lead spacing 2.5 mm</b>	<b>S871</b>

<b>B57871S0103J002</b>						
R/T No.	2908					
T (°C)	B <sub>25/100</sub> = 3460 K, R <sub>25</sub> = 10000 Ω, T <sub>R</sub> = 25 °C, ΔR <sub>R</sub> /R <sub>R</sub> = ± 5%					
	R <sub>noml</sub> [Ω]	R <sub>min</sub> [Ω]	R <sub>max</sub> [Ω]	ΔR <sub>R</sub> /R <sub>R</sub> [±%]	ΔT[±°C]	α (%/K)
5.0	22140	20837	23442	5.9	1.4	4.2
10.0	17999	16979	19018	5.7	1.4	4.1
15.0	14716	13914	15519	5.5	1.4	4.0
20.0	12099	11464	12734	5.2	1.4	3.9
<b>25.0</b>	<b>10000</b>	<b>9500</b>	<b>10500</b>	<b>5.0</b>	<b>1.3</b>	<b>3.8</b>
30.0	8308	7872	8743	5.2	1.4	3.7
35.0	6936	6560	7312	5.4	1.5	3.6
40.0	5819	5492	6145	5.6	1.6	3.5
45.0	4904	4620	5187	5.8	1.7	3.4
50.0	4151	3904	4398	5.9	1.8	3.3
55.0	3529	3313	3744	6.1	1.9	3.2
60.0	3012	2824	3201	6.3	2.0	3.1
65.0	2582	2416	2748	6.4	2.1	3.0
70.0	2221	2075	2367	6.6	2.2	3.0
75.0	1918	1789	2047	6.7	2.3	2.9
80.0	1663	1549	1777	6.9	2.4	2.8
85.0	1446	1345	1547	7.0	2.5	2.8
90.0	1262	1172	1352	7.1	2.6	2.7
95.0	1105	1025	1185	7.3	2.8	2.6
100.0	970.2	898.5	1042	7.4	2.9	2.6
105.0	854.6	790.5	918.8	7.5	3.0	2.5
110.0	755.1	697.5	812.6	7.6	3.1	2.4
115.0	669.0	617.2	720.8	7.7	3.2	2.4
120.0	594.4	547.7	641.1	7.9	3.4	2.3
125.0	529.5	487.3	571.6	8.0	3.5	2.3
130.0	472.9	434.7	511.1	8.1	3.6	2.2
135.0	423.4	388.8	458.0	8.2	3.7	2.2
140.0	380.0	348.6	411.5	8.3	3.9	2.1
145.0	341.9	313.2	370.5	8.4	4.0	2.1
150.0	308.3	282.1	334.4	8.5	4.1	2.0
155.0	278.6	254.7	302.5	8.6	4.3	2.0

<b>B57871S0123F000</b>						
R/T No.	2901					
T (°C)	B <sub>25/100</sub> = 3760 K, R <sub>25</sub> = 12000 Ω, T <sub>R</sub> = 25 °C, ΔR <sub>R</sub> /R <sub>R</sub> = ± 1%					
	R <sub>noml</sub> [Ω]	R <sub>min</sub> [Ω]	R <sub>max</sub> [Ω]	ΔR <sub>R</sub> /R <sub>R</sub> [±%]	ΔT[±°C]	α (%/K)
-55.0	767630	724060	811190	5.7	0.9	6.4
-50.0	554140	524840	583450	5.3	0.8	6.3
-45.0	404850	384940	424770	4.9	0.8	6.1



Temperature measurement	B57871
Leaded NTCs, lead spacing 2.5 mm	S871

<b>B57871S0123F000</b>						
R/T No.	2901					
T (°C)	$B_{25/100} = 3760 \text{ K}$ , $R_{25} = 12000 \text{ } \Omega$ , $T_R = 25 \text{ } ^\circ\text{C}$ , $\Delta R_R/R_R = \pm 1\%$					
	$R_{\text{noml}}[\Omega]$	$R_{\text{min}}[\Omega]$	$R_{\text{max}}[\Omega]$	$\Delta R_R/R_R[\pm\%]$	$\Delta T[\pm^\circ\text{C}]$	$\alpha \text{ } (\%/K)$
-40.0	299120	285460	312780	4.6	0.8	6.0
-35.0	223330	213890	232770	4.2	0.7	5.8
-30.0	168400	161830	174970	3.9	0.7	5.6
-25.0	128150	123550	132750	3.6	0.7	5.5
-20.0	98376	95138	101610	3.3	0.6	5.3
-15.0	75748	73472	78023	3.0	0.6	5.1
-10.0	58816	57212	60421	2.7	0.5	5.0
-5.0	45852	44724	46980	2.5	0.5	4.9
0.0	36033	35238	36827	2.2	0.5	4.7
5.0	28562	28003	29121	2.0	0.4	4.6
10.0	22799	22408	23191	1.7	0.4	4.5
15.0	18308	18036	18580	1.5	0.3	4.3
20.0	14796	14609	14983	1.3	0.3	4.2
<b>25.0</b>	<b>12000</b>	<b>11880</b>	<b>12120</b>	<b>1.0</b>	<b>0.2</b>	<b>4.1</b>
30.0	9801	9678	9925	1.3	0.3	4.0
35.0	8060	7942	8178	1.5	0.4	3.9
40.0	6663	6553	6773	1.7	0.4	3.8
45.0	5531	5430	5633	1.8	0.5	3.7
50.0	4615	4522	4709	2.0	0.6	3.6
55.0	3862	3777	3947	2.2	0.6	3.5
60.0	3248	3171	3325	2.4	0.7	3.4
65.0	2749	2679	2819	2.5	0.8	3.3
70.0	2336	2273	2399	2.7	0.8	3.2
75.0	1993	1936	2050	2.9	0.9	3.2
80.0	1707	1655	1758	3.0	1.0	3.1
85.0	1466	1420	1512	3.2	1.1	3.0
90.0	1264	1222	1306	3.3	1.1	2.9
95.0	1095	1057	1133	3.4	1.2	2.9
100.0	951.4	917.3	985.5	3.6	1.3	2.8
105.0	828.7	797.9	859.6	3.7	1.4	2.7
110.0	724.1	696.2	751.9	3.8	1.4	2.7
115.0	634.6	609.4	659.8	4.0	1.5	2.6
120.0	557.8	534.9	580.6	4.1	1.6	2.6
125.0	491.8	471.1	512.6	4.2	1.7	2.5
130.0	434.8	416.0	453.6	4.3	1.8	2.4
135.0	385.2	368.1	402.4	4.4	1.9	2.4
140.0	342.1	326.5	357.7	4.6	1.9	2.3
145.0	304.5	290.3	318.7	4.7	2.0	2.3
150.0	271.6	258.6	284.6	4.8	2.1	2.3
155.0	242.8	230.9	254.6	4.9	2.2	2.2



Temperature measurement

B57871

Leaded NTCs, lead spacing 2.5 mm

S871

B57871S0123H000						
R/T No.	2901					
T (°C)	B <sub>25/100</sub> = 3760 K, R <sub>25</sub> = 12000 Ω, T <sub>R</sub> = 25 °C, ΔR <sub>R</sub> /R <sub>R</sub> = ± 3%					
	R <sub>noml</sub> [Ω]	R <sub>min</sub> [Ω]	R <sub>max</sub> [Ω]	ΔR <sub>R</sub> /R <sub>R</sub> [±%]	ΔT[±°C]	α (%/K)
-55.0	767630	708710	826540	7.7	1.2	6.4
-50.0	554140	513760	594530	7.3	1.2	6.3
-45.0	404850	376840	432870	6.9	1.1	6.1
-40.0	299120	279480	318760	6.6	1.1	6.0
-35.0	223330	209420	237240	6.2	1.1	5.8
-30.0	168400	158460	178340	5.9	1.1	5.6
-25.0	128150	120990	135320	5.6	1.0	5.5
-20.0	98376	93170	103580	5.3	1.0	5.3
-15.0	75748	71957	79538	5.0	1.0	5.1
-10.0	58816	56036	61597	4.7	0.9	5.0
-5.0	45852	43807	47897	4.5	0.9	4.9
0.0	36033	34518	37548	4.2	0.9	4.7
5.0	28562	27432	29692	4.0	0.9	4.6
10.0	22799	21952	23647	3.7	0.8	4.5
15.0	18308	17670	18947	3.5	0.8	4.3
20.0	14796	14313	15279	3.3	0.8	4.2
<b>25.0</b>	<b>12000</b>	<b>11640</b>	<b>12360</b>	<b>3.0</b>	<b>0.7</b>	<b>4.1</b>
30.0	9801	9482	10121	3.3	0.8	4.0
35.0	8060	7781	8339	3.5	0.9	3.9
40.0	6663	6420	6907	3.7	1.0	3.8
45.0	5531	5319	5744	3.8	1.0	3.7
50.0	4615	4429	4801	4.0	1.1	3.6
55.0	3862	3700	4024	4.2	1.2	3.5
60.0	3248	3106	3390	4.4	1.3	3.4
65.0	2749	2624	2874	4.5	1.4	3.3
70.0	2336	2226	2446	4.7	1.5	3.2
75.0	1993	1896	2090	4.9	1.5	3.2
80.0	1707	1621	1792	5.0	1.6	3.1
85.0	1466	1390	1542	5.2	1.7	3.0
90.0	1264	1197	1331	5.3	1.8	2.9
95.0	1095	1035	1154	5.4	1.9	2.9
100.0	951.4	898.3	1005	5.6	2.0	2.8
105.0	828.7	781.4	876.1	5.7	2.1	2.7
110.0	724.1	681.7	766.4	5.8	2.2	2.7
115.0	634.6	596.7	672.5	6.0	2.3	2.6
120.0	557.8	523.8	591.8	6.1	2.4	2.6
125.0	491.8	461.2	522.4	6.2	2.5	2.5
130.0	434.8	407.3	462.3	6.3	2.6	2.4
135.0	385.2	360.4	410.1	6.4	2.7	2.4





Temperature measurement	B57871
Leaded NTCs, lead spacing 2.5 mm	S871

<b>B57871S0123H000</b>						
R/T No.	2901					
T (°C)	B <sub>25/100</sub> = 3760 K, R <sub>25</sub> = 12000 Ω, T <sub>R</sub> = 25 °C, ΔR <sub>R</sub> /R <sub>R</sub> = ± 3%					
	R <sub>noml</sub> [Ω]	R <sub>min</sub> [Ω]	R <sub>max</sub> [Ω]	ΔR <sub>R</sub> /R <sub>R</sub> [±%]	ΔT[±°C]	α (%/K)
140.0	342.1	319.7	364.6	6.6	2.8	2.3
145.0	304.5	284.2	324.8	6.7	2.9	2.3
150.0	271.6	253.2	290.0	6.8	3.0	2.3
155.0	242.8	226.1	259.5	6.9	3.1	2.2

<b>B57871S0123J000</b>						
R/T No.	2901					
T (°C)	B <sub>25/100</sub> = 3760 K, R <sub>25</sub> = 12000 Ω, T <sub>R</sub> = 25 °C, ΔR <sub>R</sub> /R <sub>R</sub> = ± 5%					
	R <sub>noml</sub> [Ω]	R <sub>min</sub> [Ω]	R <sub>max</sub> [Ω]	ΔR <sub>R</sub> /R <sub>R</sub> [±%]	ΔT[±°C]	α (%/K)
-55.0	767630	693360	841890	9.7	1.5	6.4
-50.0	554140	502670	605620	9.3	1.5	6.3
-45.0	404850	368740	440960	8.9	1.5	6.1
-40.0	299120	273500	324740	8.6	1.4	6.0
-35.0	223330	204960	241710	8.2	1.4	5.8
-30.0	168400	155090	181710	7.9	1.4	5.6
-25.0	128150	118420	137880	7.6	1.4	5.5
-20.0	98376	91203	105550	7.3	1.4	5.3
-15.0	75748	70442	81053	7.0	1.4	5.1
-10.0	58816	54860	62773	6.7	1.3	5.0
-5.0	45852	42890	48815	6.5	1.3	4.9
0.0	36033	33797	38268	6.2	1.3	4.7
5.0	28562	26860	30263	6.0	1.3	4.6
10.0	22799	21496	24103	5.7	1.3	4.5
15.0	18308	17303	19313	5.5	1.3	4.3
20.0	14796	14017	15575	5.3	1.3	4.2
<b>25.0</b>	<b>12000</b>	<b>11400</b>	<b>12600</b>	<b>5.0</b>	<b>1.2</b>	<b>4.1</b>
30.0	9801	9286	10317	5.3	1.3	4.0
35.0	8060	7620	8500	5.5	1.4	3.9
40.0	6663	6287	7040	5.7	1.5	3.8
45.0	5531	5208	5855	5.8	1.6	3.7
50.0	4615	4337	4893	6.0	1.7	3.6
55.0	3862	3622	4102	6.2	1.8	3.5
60.0	3248	3041	3455	6.4	1.9	3.4
65.0	2749	2569	2929	6.5	2.0	3.3
70.0	2336	2180	2493	6.7	2.1	3.2
75.0	1993	1856	2130	6.9	2.2	3.2
80.0	1707	1587	1826	7.0	2.3	3.1
85.0	1466	1361	1571	7.2	2.4	3.0
90.0	1264	1172	1356	7.3	2.5	2.9



<b>Temperature measurement</b>	<b>B57871</b>
<b>Leaded NTCs, lead spacing 2.5 mm</b>	<b>S871</b>

<b>B57871S0123J000</b>						
R/T No.	2901					
T (°C)	B <sub>25/100</sub> = 3760 K, R <sub>25</sub> = 12000 Ω, T <sub>R</sub> = 25 °C, ΔR <sub>R</sub> /R <sub>R</sub> = ± 5%					
	R <sub>noml</sub> [Ω]	R <sub>min</sub> [Ω]	R <sub>max</sub> [Ω]	ΔR <sub>R</sub> /R <sub>R</sub> [±%]	ΔT[±°C]	α (%/K)
95.0	1095	1013	1176	7.4	2.6	2.9
100.0	951.4	879.2	1024	7.6	2.7	2.8
105.0	828.7	764.8	892.7	7.7	2.8	2.7
110.0	724.1	667.3	780.9	7.8	2.9	2.7
115.0	634.6	584.0	685.2	8.0	3.0	2.6
120.0	557.8	512.6	603.0	8.1	3.2	2.6
125.0	491.8	451.4	532.2	8.2	3.3	2.5
130.0	434.8	398.6	471.0	8.3	3.4	2.4
135.0	385.2	352.7	417.8	8.4	3.5	2.4
140.0	342.1	312.8	371.4	8.6	3.6	2.3
145.0	304.5	278.1	330.9	8.7	3.8	2.3
150.0	271.6	247.8	295.4	8.8	3.9	2.3
155.0	242.8	221.2	264.3	8.9	4.0	2.2

<b>B57871S0303F000</b>						
R/T No.	8018					
T (°C)	B <sub>25/100</sub> = 3964 K, R <sub>25</sub> = 30000 Ω, T <sub>R</sub> = 25 °C, ΔR <sub>R</sub> /R <sub>R</sub> = ± 1%					
	R <sub>noml</sub> [Ω]	R <sub>min</sub> [Ω]	R <sub>max</sub> [Ω]	ΔR <sub>R</sub> /R <sub>R</sub> [±%]	ΔT[±°C]	α (%/K)
-55.0	2472200	2325700	2618700	5.9	0.8	7.0
-50.0	1750300	1653700	1846900	5.5	0.8	6.8
-45.0	1253200	1189000	1317500	5.1	0.8	6.6
-40.0	907060	863910	950200	4.8	0.7	6.4
-35.0	663280	634100	692460	4.4	0.7	6.2
-30.0	489810	469940	509680	4.1	0.7	6.0
-25.0	365130	351510	378740	3.7	0.6	5.8
-20.0	274640	265270	284020	3.4	0.6	5.6
-15.0	208370	201890	214850	3.1	0.6	5.4
-10.0	159410	154910	163900	2.8	0.5	5.3
-5.0	122920	119800	126030	2.5	0.5	5.1
0.0	95501	93336	97666	2.3	0.5	5.0
5.0	74745	73245	76244	2.0	0.4	4.8
10.0	58911	57877	59944	1.8	0.4	4.7
15.0	46745	46038	47451	1.5	0.3	4.6
20.0	37332	36855	37808	1.3	0.3	4.4
<b>25.0</b>	<b>30000</b>	<b>29700</b>	<b>30300</b>	<b>1.0</b>	<b>0.2</b>	<b>4.3</b>
30.0	24253	23945	24561	1.3	0.3	4.2
35.0	19720	19428	20012	1.5	0.4	4.1
40.0	16123	15851	16395	1.7	0.4	4.0
45.0	13252	13002	13502	1.9	0.5	3.9



Temperature measurement	B57871
Leaded NTCs, lead spacing 2.5 mm	S871

<b>B57871S0303F000</b>						
R/T No.	8018					
T (°C)	B <sub>25/100</sub> = 3964 K, R <sub>25</sub> = 30000 Ω, T <sub>R</sub> = 25 °C, ΔR <sub>R</sub> /R <sub>R</sub> = ± 1%					
	R <sub>nom</sub> [Ω]	R <sub>min</sub> [Ω]	R <sub>max</sub> [Ω]	ΔR <sub>R</sub> /R <sub>R</sub> [±%]	ΔT[±°C]	α (%/K)
50.0	10949	10721	11177	2.1	0.6	3.8
55.0	9091	8885	9297	2.3	0.6	3.7
60.0	7584	7399	7770	2.4	0.7	3.6
65.0	6356	6189	6523	2.6	0.8	3.5
70.0	5351	5201	5500	2.8	0.8	3.4
75.0	4524	4390	4657	3.0	0.9	3.3
80.0	3840	3720	3960	3.1	1.0	3.2
85.0	3273	3166	3380	3.3	1.0	3.2
90.0	2800	2704	2896	3.4	1.1	3.1
95.0	2405	2319	2491	3.6	1.2	3.0
100.0	2073	1995	2150	3.7	1.3	2.9
105.0	1792	1723	1862	3.9	1.3	2.9
110.0	1555	1493	1618	4.0	1.4	2.8
115.0	1354	1298	1410	4.1	1.5	2.7
120.0	1182	1132	1233	4.3	1.6	2.7
125.0	1036	990.3	1081	4.4	1.7	2.6
130.0	910.0	868.9	951.0	4.5	1.8	2.6
135.0	801.7	764.6	838.9	4.6	1.8	2.5
140.0	708.3	674.6	741.9	4.8	1.9	2.5
145.0	627.4	596.9	658.0	4.9	2.0	2.4
150.0	557.2	529.5	585.0	5.0	2.1	2.3
155.0	496.1	470.9	521.4	5.1	2.2	2.3

<b>B57871S0303H000</b>						
R/T No.	8018					
T (°C)	B <sub>25/100</sub> = 3964 K, R <sub>25</sub> = 30000 Ω, T <sub>R</sub> = 25 °C, ΔR <sub>R</sub> /R <sub>R</sub> = ± 3%					
	R <sub>nom</sub> [Ω]	R <sub>min</sub> [Ω]	R <sub>max</sub> [Ω]	ΔR <sub>R</sub> /R <sub>R</sub> [±%]	ΔT[±°C]	α (%/K)
-55.0	2472200	2276300	2668200	7.9	1.1	7.0
-50.0	1750300	1618700	1881900	7.5	1.1	6.8
-45.0	1253200	1163900	1342600	7.1	1.1	6.6
-40.0	907060	845770	968340	6.8	1.1	6.4
-35.0	663280	620830	705730	6.4	1.0	6.2
-30.0	489810	460140	519480	6.1	1.0	6.0
-25.0	365130	344210	386040	5.7	1.0	5.8
-20.0	274640	259780	289510	5.4	1.0	5.6
-15.0	208370	197730	219020	5.1	0.9	5.4
-10.0	159410	151720	167090	4.8	0.9	5.3
-5.0	122920	117340	128490	4.5	0.9	5.1
0.0	95501	91426	99576	4.3	0.9	5.0



Temperature measurement

B57871

Leaded NTCs, lead spacing 2.5 mm

S871

<b>B57871S0303H000</b>						
R/T No.	8018					
T (°C)	B <sub>25/100</sub> = 3964 K, R <sub>25</sub> = 30000 Ω, T <sub>R</sub> = 25 °C, ΔR <sub>R</sub> /R <sub>R</sub> = ± 3%					
	R <sub>noml</sub> [Ω]	R <sub>min</sub> [Ω]	R <sub>max</sub> [Ω]	ΔR <sub>R</sub> /R <sub>R</sub> [±%]	ΔT[±°C]	α (%/K)
5.0	74745	71750	77739	4.0	0.8	4.8
10.0	58911	56699	61122	3.8	0.8	4.7
15.0	46745	45103	48386	3.5	0.8	4.6
20.0	37332	36108	38555	3.3	0.7	4.4
<b>25.0</b>	<b>30000</b>	<b>29100</b>	<b>30900</b>	<b>3.0</b>	<b>0.7</b>	<b>4.3</b>
30.0	24253	23460	25046	3.3	0.8	4.2
35.0	19720	19033	20406	3.5	0.9	4.1
40.0	16123	15528	16717	3.7	0.9	4.0
45.0	13252	12737	13767	3.9	1.0	3.9
50.0	10949	10503	11396	4.1	1.1	3.8
55.0	9091	8703	9479	4.3	1.2	3.7
60.0	7584	7247	7921	4.4	1.2	3.6
65.0	6356	6062	6650	4.6	1.3	3.5
70.0	5351	5094	5607	4.8	1.4	3.4
75.0	4524	4299	4748	5.0	1.5	3.3
80.0	3840	3643	4037	5.1	1.6	3.2
85.0	3273	3100	3446	5.3	1.7	3.2
90.0	2800	2648	2952	5.4	1.8	3.1
95.0	2405	2271	2539	5.6	1.9	3.0
100.0	2073	1954	2191	5.7	1.9	2.9
105.0	1792	1687	1897	5.9	2.0	2.9
110.0	1555	1462	1649	6.0	2.1	2.8
115.0	1354	1271	1437	6.1	2.2	2.7
120.0	1182	1108	1257	6.3	2.3	2.7
125.0	1036	969.6	1102	6.4	2.4	2.6
130.0	910.0	850.7	969.2	6.5	2.5	2.6
135.0	801.7	748.5	854.9	6.6	2.6	2.5
140.0	708.3	660.5	756.1	6.8	2.8	2.5
145.0	627.4	584.4	670.5	6.9	2.9	2.4
150.0	557.2	518.4	596.1	7.0	3.0	2.3
155.0	496.1	461.0	531.3	7.1	3.1	2.3

<b>B57871S0303J000</b>						
R/T No.	8018					
T (°C)	B <sub>25/100</sub> = 3964 K, R <sub>25</sub> = 30000 Ω, T <sub>R</sub> = 25 °C, ΔR <sub>R</sub> /R <sub>R</sub> = ± 5%					
	R <sub>noml</sub> [Ω]	R <sub>min</sub> [Ω]	R <sub>max</sub> [Ω]	ΔR <sub>R</sub> /R <sub>R</sub> [±%]	ΔT[±°C]	α (%/K)
-55.0	2472200	2226900	2717600	9.9	1.4	7.0
-50.0	1750300	1583700	1916900	9.5	1.4	6.8
-45.0	1253200	1138800	1367700	9.1	1.4	6.6



Temperature measurement	B57871
Leaded NTCs, lead spacing 2.5 mm	S871

<b>B57871S0303J000</b>						
R/T No.	8018					
T (°C)	$B_{25/100} = 3964 \text{ K}$ , $R_{25} = 30000 \text{ } \Omega$ , $T_R = 25 \text{ } ^\circ\text{C}$ , $\Delta R_R/R_R = \pm 5\%$					
	$R_{\text{noml}}[\Omega]$	$R_{\text{minl}}[\Omega]$	$R_{\text{maxl}}[\Omega]$	$\Delta R_R/R_R[\pm\%]$	$\Delta T[\pm^\circ\text{C}]$	$\alpha \text{ } (\%/K)$
-40.0	907060	827630	986480	8.8	1.4	6.4
-35.0	663280	607570	718990	8.4	1.4	6.2
-30.0	489810	450340	529280	8.1	1.4	6.0
-25.0	365130	336910	393350	7.7	1.3	5.8
-20.0	274640	254280	295000	7.4	1.3	5.6
-15.0	208370	193560	223190	7.1	1.3	5.4
-10.0	159410	148540	170270	6.8	1.3	5.3
-5.0	122920	114880	130950	6.5	1.3	5.1
0.0	95501	89516	101490	6.3	1.3	5.0
5.0	74745	70255	79234	6.0	1.2	4.8
10.0	58911	55521	62301	5.8	1.2	4.7
15.0	46745	44168	49321	5.5	1.2	4.6
20.0	37332	35362	39302	5.3	1.2	4.4
<b>25.0</b>	<b>30000</b>	<b>28500</b>	<b>31500</b>	<b>5.0</b>	<b>1.2</b>	<b>4.3</b>
30.0	24253	22975	25531	5.3	1.3	4.2
35.0	19720	18639	20801	5.5	1.3	4.1
40.0	16123	15206	17040	5.7	1.4	4.0
45.0	13252	12472	14032	5.9	1.5	3.9
50.0	10949	10284	11615	6.1	1.6	3.8
55.0	9091	8521	9660	6.3	1.7	3.7
60.0	7584	7095	8073	6.4	1.8	3.6
65.0	6356	5935	6777	6.6	1.9	3.5
70.0	5351	4987	5714	6.8	2.0	3.4
75.0	4524	4209	4838	7.0	2.1	3.3
80.0	3840	3567	4114	7.1	2.2	3.2
85.0	3273	3035	3511	7.3	2.3	3.2
90.0	2800	2592	3008	7.4	2.4	3.1
95.0	2405	2223	2587	7.6	2.5	3.0
100.0	2073	1912	2233	7.7	2.6	2.9
105.0	1792	1651	1933	7.9	2.7	2.9
110.0	1555	1431	1680	8.0	2.9	2.8
115.0	1354	1244	1464	8.1	3.0	2.7
120.0	1182	1085	1280	8.3	3.1	2.7
125.0	1036	948.9	1123	8.4	3.2	2.6
130.0	910.0	832.5	987.4	8.5	3.3	2.6
135.0	801.7	732.5	870.9	8.6	3.4	2.5
140.0	708.3	646.3	770.3	8.8	3.6	2.5
145.0	627.4	571.8	683.1	8.9	3.7	2.4
150.0	557.2	507.2	607.3	9.0	3.8	2.3
155.0	496.1	451.1	541.2	9.1	4.0	2.3



Temperature measurement	B57871
Leaded NTCs, lead spacing 2.5 mm	S871



## Cautions and warnings

### General

See "Important notes" at the end of this document.

### Storage

- Store thermistors only in original packaging. Do not open the package before storage.
- Storage conditions in original packaging: storage temperature  $-25\text{ °C} \dots +45\text{ °C}$ , relative humidity  $\leq 75\%$  annual mean, maximum 95%, dew precipitation is inadmissible.
- Do not store SMDs where they are exposed to heat or direct sunlight. Otherwise, the packing material may be deformed or SMDs may stick together, causing problems during mounting.
- Avoid contamination of thermistors surface during storage, handling and processing.
- Avoid storage of thermistor in harmful environments like corrosive gases (SO<sub>x</sub>, Cl etc).
- After opening the factory seals, such as polyvinyl-sealed packages, use the SMDs as soon as possible.
- Solder thermistors after shipment from EPCOS within the time specified:  
SMDs: 12 months  
Leaded components: 24 months

### Handling

- NTC thermistors must not be dropped. Chip-offs must not be caused during handling of NTCs.
- Components must not be touched with bare hands. Gloves are recommended.
- Avoid contamination of thermistor surface during handling.

### Soldering

- Use resin-type flux or non-activated flux.
- Insufficient preheating may cause ceramic cracks.
- Rapid cooling by dipping in solvent is not recommended.
- Complete removal of flux is recommended.

### Mounting

- When NTC thermistors are encapsulated with sealing material or overmolded with plastic material, the precautions given in chapter "Mounting instructions", "Sealing, potting and overmolding" must be observed.
- Electrode must not be scratched before/during/after the mounting process.
- Contacts and housings used for assembly with thermistor have to be clean before mounting.
- During operation, the thermistor's surface temperature can be very high (ICL). Ensure that adjacent components are placed at a sufficient distance from the thermistor to allow for proper cooling of the thermistors.
- Ensure that adjacent materials are designed for operation at temperatures comparable to the surface temperature of the thermistor. Be sure that surrounding parts and materials can withstand this temperature.
- Make sure that thermistors (ICLs) are adequately ventilated to avoid overheating.
- Avoid contamination of thermistor surface during processing.



Temperature measurement

B57871

Leaded NTCs, lead spacing 2.5 mm

S871

#### Operation

- Use thermistors only within the specified operating temperature range.
- Use thermistors only within the specified voltage and current ranges (ICLs).
- Environmental conditions must not harm the thermistors. Use thermistors only in normal atmospheric conditions.
- Contact of NTC thermistors with any liquids and solvents should be prevented. It must be ensured that no water enters the NTC thermistor (e.g. through plug terminals). For measurement purposes (checking the specified resistance vs. temperature), the component must not be immersed in water but in suitable liquids (e.g. Galden).
- Avoid dewing and condensation.
- Be sure to provide an appropriate fail-safe function to prevent secondary product damage caused by malfunction (e.g. use VDR for limitation of overvoltage condition).





## Important notes

The following applies to all products named in this publication:

1. Some parts of this publication contain **statements about the suitability of our products for certain areas of application**. These statements are based on our knowledge of typical requirements that are often placed on our products in the areas of application concerned. We nevertheless expressly point out **that such statements cannot be regarded as binding statements about the suitability of our products for a particular customer application**. As a rule, EPCOS is either unfamiliar with individual customer applications or less familiar with them than the customers themselves. For these reasons, it is always ultimately incumbent on the customer to check and decide whether an EPCOS product with the properties described in the product specification is suitable for use in a particular customer application.
2. We also point out that **in individual cases, a malfunction of passive electronic components or failure before the end of their usual service life cannot be completely ruled out in the current state of the art, even if they are operated as specified**. In customer applications requiring a very high level of operational safety and especially in customer applications in which the malfunction or failure of a passive electronic component could endanger human life or health (e.g. in accident prevention or life-saving systems), it must therefore be ensured by means of suitable design of the customer application or other action taken by the customer (e.g. installation of protective circuitry or redundancy) that no injury or damage is sustained by third parties in the event of malfunction or failure of a passive electronic component.
3. **The warnings, cautions and product-specific notes must be observed.**
4. In order to satisfy certain technical requirements, **some of the products described in this publication may contain substances subject to restrictions in certain jurisdictions (e.g. because they are classed as "hazardous")**. Useful information on this will be found in our Material Data Sheets on the Internet ([www.epcos.com/material](http://www.epcos.com/material)). Should you have any more detailed questions, please contact our sales offices.
5. We constantly strive to improve our products. Consequently, **the products described in this publication may change from time to time**. The same is true of the corresponding product specifications. Please check therefore to what extent product descriptions and specifications contained in this publication are still applicable before or when you place an order.  
We also **reserve the right to discontinue production and delivery of products**. Consequently, we cannot guarantee that all products named in this publication will always be available.
6. Unless otherwise agreed in individual contracts, **all orders are subject to the current version of the "General Terms of Delivery for Products and Services in the Electrical Industry" published by the German Electrical and Electronics Industry Association (ZVEI)**.
7. The trade names EPCOS, EPCOS-JONES, Baoke, CeraDiode, CSSP, MLSC, PhaseCap, PhaseMod, SIFI, SIKOREL, SilverCap, SIMID, SIOV, SIP5D, SIP5K, UltraCap, WindCap are **trademarks registered or pending** in Europe and in other countries. Further information will be found on the Internet at [www.epcos.com/trademarks](http://www.epcos.com/trademarks).