

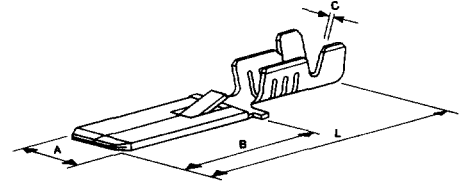
FEATURES AND SPECIFICATIONS

Features and Benefits

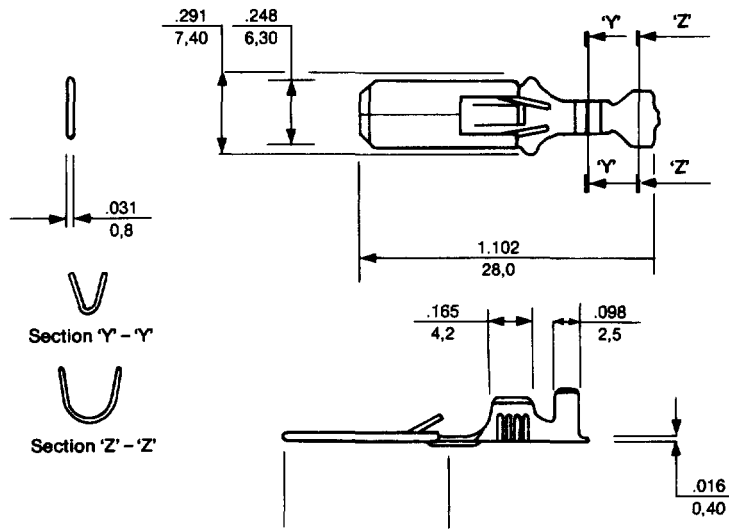
- Wire range from 0.50 through 1.00mm² to 4.00 through 6.00mm²
- Insulation range from 2.00 through 3.30Ømm to 3.80 through 5.10Ømm
- This is the multiway connector version of our standard Qik Konnect tab, normally used in harness manufacture; this provides a quick method of multi-connection up to 18 ways

molex® Quick Snap Snap Tab

**6.30 by 0.80mm
(.250 by .032") with Latch
For Use in Multicontact
Housings**



Available Primarily in Europe—Distributed by Molex Incorporated, not Molex-ETC™



ORDERING INFORMATION AND DIMENSIONS

| Wire Size AWG (mm ²) | Insulation Range | Order No.* | | Dimension | | | |
|-------------------------------------|-----------------------|-------------|------------|-------------|--------------|-------------|---------------|
| | | Brass/Plain | Brass/Tin | A | B | C | L |
| 18-20 (0.50-1.00) | 2.00-3.30 (.079-.130) | 94030-4070 | 94030-4071 | 6.30 (.248) | 15.70 (.618) | 0.40 (.016) | 28.00 (1.102) |
| 14-18 (1.00-2.50) | 2.70-4.30 (.106-.169) | 94030-4080 | 94030-4081 | 6.30 (.248) | 15.70 (.618) | 0.40 (.016) | 28.00 (1.102) |
| 10-11 (4.00-6.00) | 3.80-5.10 (.150-.201) | 94030-4090 | 94030-4091 | 6.30 (.248) | 15.70 (.618) | 0.40 (.016) | 28.00 (1.102) |

* Contact factory to obtain order no. for Phosphor Bronze/Plain and Phosphor Bronze/Tin