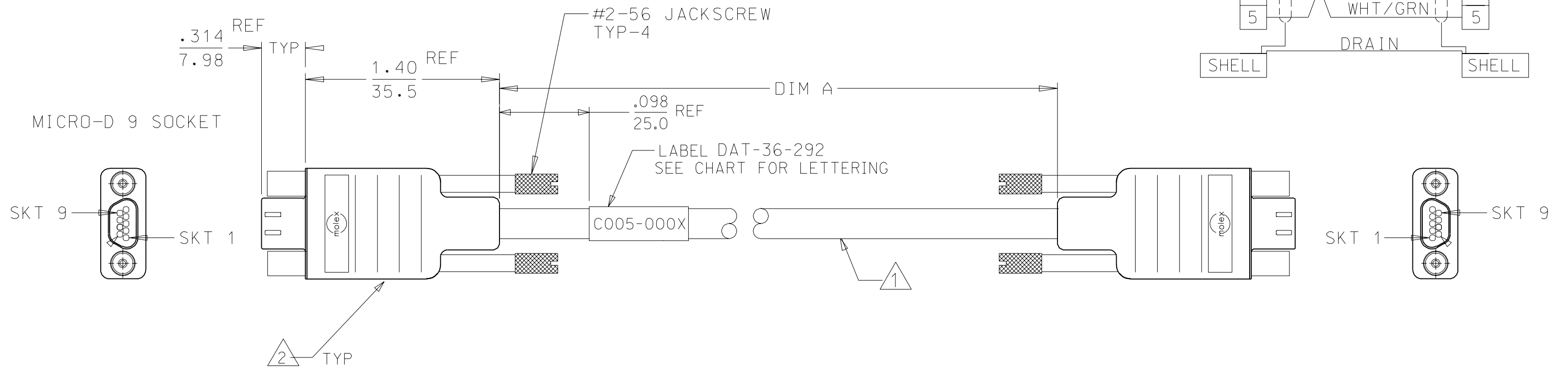
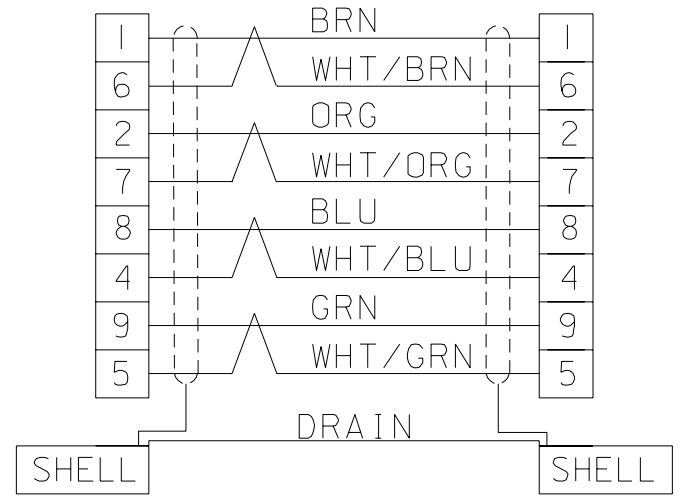


| MATERIAL NO. | ENGINEERING NO. | DIM A | TOLERANCE | LABEL PRINT |
|--------------|-----------------|----------------|---------------------|-------------|
| 834219221 | 83421-9221 | .75ft+/200mm | +.315-.157/+8-4mm | C005-0001 |
| 834219222 | 83421-9222 | 4.00ft+/1200mm | +1.89-.945/+48-24mm | C005-0002 |
| 834219231 | 83421-9231 | 32.8ft+/10m | +4.0-2.5/+100-63mm | C005-0003 |
| 834219223 | 83421-9223 | 9.85ft+/3m | +2.36-1.89/+60-48mm | C005-0004 |



- 3. REFER TO PS-83421-9000 FOR PRODUCT SPEC.
- 2. MICRO-D, 9 SOCKET FEMALE CONNECTOR (CRIMP TYPE)
CONTACTS: 30 MICRO INCH GOLD PLATED
INSULATOR: PCV OVERMOLD, COLOR: BLACK
WITH (2) #2.56 JACKSCREWS

RESTRICTED SALES DRAWING

1. CABLE: CAT 5E, 26AWG, 4 PAIR & DRAIN WIRE
8 CONDUCTOR, TINNED COPPER, 7 STRAND.
WIRE INSULATION: PVC
SHIELD: AL-FOIL/MYLAR, INCLUDING DRAIN WIRE & BRAID
OUTER CABLE JACKET: BLACK PVC.

NOTES: UNLESS OTHERWISE SPECIFIED.

| | | | | | | |
|---|--|---|---|------------------------|--|------------|
| CHNG TO SD IN MIDAS EC NO. ETC2004-0077 DRWN: EMF 03/09/26 CHK: HEB 03/09/26 APPR: RSD 03/09/26 | QUALITY SYMBOLS MAJOR =0 CRITICAL =0 | GENERAL TOLERANCES: (UNLESS SPECIFIED) | SCALE NO:NE DESIGN UNITS <input type="checkbox"/> mm <input checked="" type="checkbox"/> INCH | THIRD ANGLE PROJECTION | DIMENSIONS: <input type="checkbox"/> mm <input checked="" type="checkbox"/> INCH <input type="checkbox"/> mm ONLY | SHT REV |
| | 4 PLACES ±0. ±. 3 PLACES ±0. ±.005 2 PLACES ±0.13 ±.010 1 PLACE ±0.25 ±. ANGULAR: ±2 ° | DRAWN BY & DATE JAL 03/04/07 | TITLE: CABLE ASSEMBLY 9 SKT MICRO D TO 9 SKT MICRO D W/OVERMOLD | | MOLEX INCORPORATED | |
| DRAFT WHERE APPLICABLE MUST REMAIN WITHIN DIMENSIONS | CAD FILENAME RSD-83421-023.DGN | MATERIAL NO. SEE CHART | DRAWING NO. RSD-83421-023 | SHEET NO. 1 OF 1 | THIS DRAWING CONTAINS INFORMATION THAT IS PROPRIETARY TO MOLEX INCORPORATED AND SHOULD NOT BE USED WITHOUT WRITTEN PERMISSION. | |