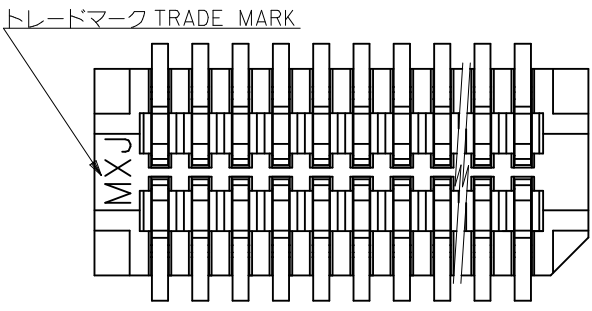


- 注記 NOTES**
1. 嵌合相手: 52465, 52588 シリーズ
MATES WITH: 52465, 52588 SERIES
 2. ウエハーの ϕ から隣接するピンの ϕ 迄の位置を示す。
SHOW POSITION FROM ϕ OF WAFER TO ϕ OF ADJACENT PINS.
 3. ELV 及び RoHS 適合品。
ELV AND ROHS COMPLIANT.
 4. テール平坦度: 0.1MAX.
COPLANARITY: 0.1MAXIMUM

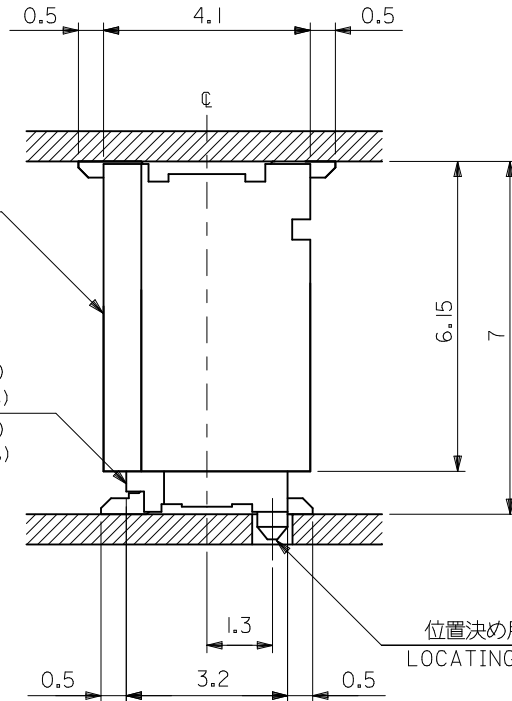
0.4	17.8	16.9	15.2	—————	53353-4071	40
0.4	16.2	15.3	13.6	—————	53353-3671	36
0.8	13.8	12.9	11.2	53353-3029	53353-3071	30
0.4	13.0	12.1	10.4	—————	53353-2871	28
0.8	10.6	9.7	8.0	—————	53353-2271	22
0.4	9.8	8.9	7.2	—————	53353-2071	20
0.8	9.0	8.1	6.4	—————	53353-1871	18
0.4	8.2	7.3	5.6	—————	53353-1671	16
0.8	7.4	6.5	4.8	—————	53353-1471	14
0.4	6.6	5.7	4.0	—————	53353-1271	12
0.8	5.8	4.9	3.2	—————	53353-1071	10
D	C	B	(A)	TRAY PACKAGE	EMBOSSED PACKAGE	極数
				オーダー番号	ORDER NO.	CIRCUIT
				CONNECTOR SERIES No. : 53353-**29		



REVISED EC NO: J2011-0630 DRWN:KTOYODA 2010/11/01 CHKD:MSASAO 2010/11/01 APPR:MSASAO 2010/11/01	GENERAL TOLERANCES (UNLESS SPECIFIED)		DIMENSION STYLE MM ONLY		SCALE 		DESIGN UNITS METRIC		THIRD ANGLE PROJECTION 	
	10 UNDER	±0.2	DRAWN BY	DATE	TITLE					
	10 OVER 30 UNDER	±0.25	Y. WADA	2004/3/4	0.8 B/B CONN. WAFER ASSY ST. SMT(WITHOUT BOSS)					
	30 OVER	±0.3	CHECKED BY	DATE	MOLEX INCORPORATED					
	ANGULAR ±3 °	M. SASAO	2004/3/4	DOCUMENT NO. SD-53353-003						
	DRAFT WHERE APPLICABLE MUST REMAIN WITHIN DIMENSIONS	APPROVED BY	DATE	SHEET NO. 1 OF 2						
		M. SASAO	2004/3/4	THIS DRAWING CONTAINS INFORMATION THAT IS PROPRIETARY TO MOLEX INCORPORATED AND SHOULD NOT BE USED WITHOUT WRITTEN PERMISSION						
		MATERIAL NO.		SEE CHART						
		SIZE	A3							

53353-***29 (位置決め用ボス無)
(WITHOUT LOCATING BOSS)

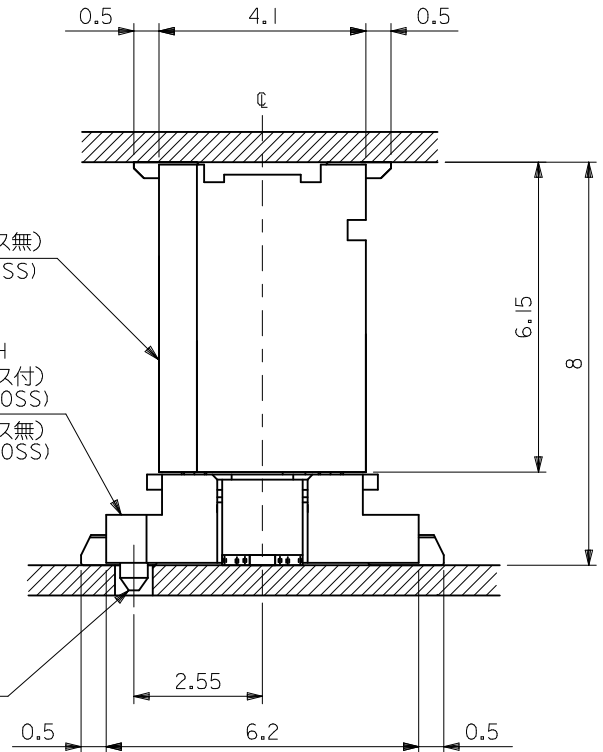
嵌合相手 MATES WITH
52465-**19 (位置決め用ボス付)
(WITH LOCATING BOSS)
52465-**29 (位置決め用ボス無)
(WITHOUT LOCATING BOSS)



53353-***29 (位置決め用ボス無)
(WITHOUT LOCATING BOSS)

嵌合相手 MATES WITH
52588-**** (位置決め用ボス付)
(WITH LOCATING BOSS)
52588-**** (位置決め用ボス無)
(WITHOUT LOCATING BOSS)

位置決め用ボス
LOCATING BOSS



嵌合状態図 (参考)
MATED DRAWING (REF.)

REVISED	EC NO. J2011-0630	2010/11/01
	DRW:KTOYODA	2010/11/01
	CHK:DMSASAO	2010/11/01
	APP:MSASAO	2010/11/01
REV	DESCRIPTION	

GENERAL TOLERANCES (UNLESS SPECIFIED)	
10 UNDER	± ---
10 OVER 30 UNDER	± ---
30 OVER	± ---
ANGULAR	± --- °
DRAFT WHERE APPLICABLE MUST REMAIN WITHIN DIMENSIONS	

DIMENSION STYLE MM ONLY	
DRAWN BY Y. WADA	DATE 2004/3/4
CHECKED BY M. SASAO	DATE 2004/3/4
APPROVED BY M. SASAO	DATE 2004/3/4
MATERIAL NO. SEE CHART	
SIZE A3	THIS DRAWING CONTAINS INFORMATION THAT IS PROPRIETARY TO MOLEX INCORPORATED AND SHOULD NOT BE USED WITHOUT WRITTEN PERMISSION

CONNECTOR SERIES No. : 53353-***29		
SCALE ---	DESIGN UNITS METRIC	THIRD ANGLE PROJECTION
TITLE 0.8 B/B CONN. WAFER ASSY ST. SMT(WITHOUT BOSS)		
MOLEX INCORPORATED		
DOCUMENT NO. SD-53353-003	SHEET NO. 2 OF 2	