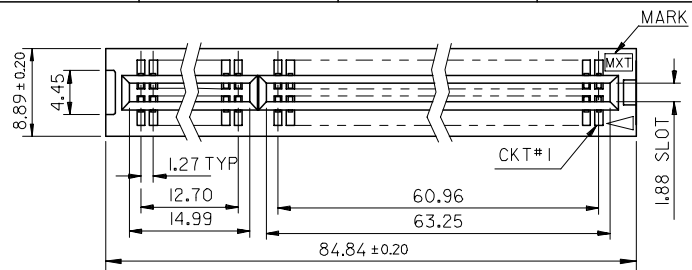
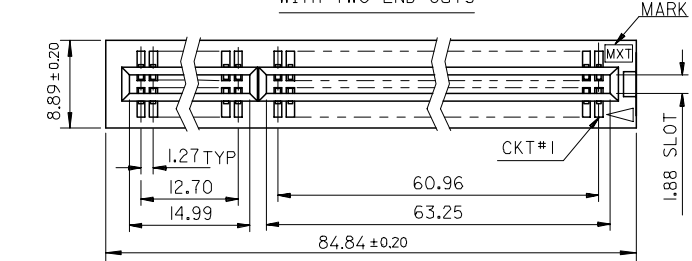


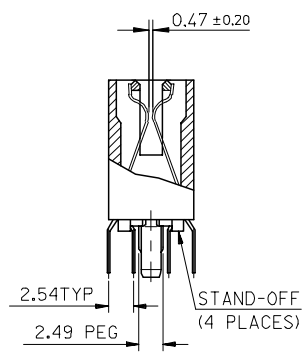
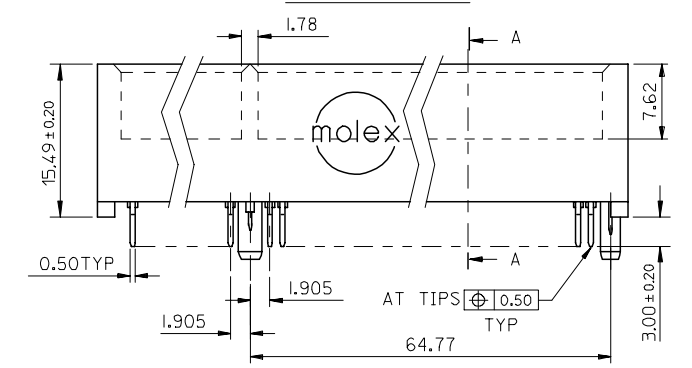
10 9 8 7 6 5 4 3 2 1



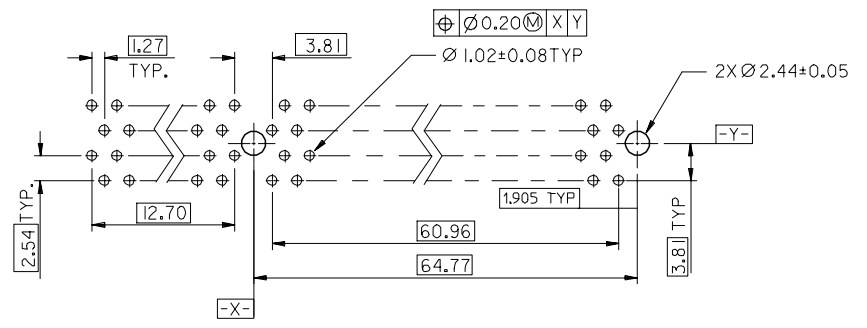
WITH TWO END CUTS



WITH ONE END CUT



SECTION A-A

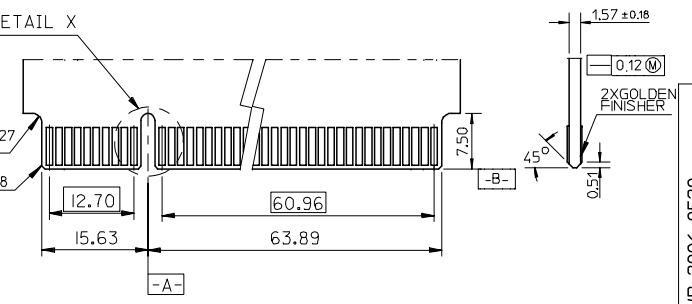


RECOMMENDED CONNECTOR MOUNTING HOLE PATTERN

- NOTES:
- MATERIAL :
HOUSING - PPS
TERMINAL - PHOSPHOR BRONZE.
 - FINISH 0 - GOLD FLASH IN CONTACT AREA, 1.52um/60uin MIN. TIN IN SOLDER TAIL, BOTH OVER 0.76um/30uin MIN. NICKEL OVERALL.
 - 0.25um/10uin MIN. GOLD IN CONTACT AREA, 1.52um/60uin MIN. TIN IN SOLDER TAIL, BOTH OVER 0.76um/30uin MIN. NICKEL OVERALL.
 - 0.38um/15uin MIN. GOLD IN CONTACT AREA, 1.52um/60uin MIN. TIN IN SOLDER TAIL, BOTH OVER 0.76um/30uin MIN. NICKEL OVERALL.
 - 0.76um/30uin MIN. GOLD IN CONTACT AREA, 1.52um/60uin MIN. TIN IN SOLDER TAIL, BOTH OVER 0.76um/30uin MIN. NICKEL OVERALL.
 - 0.50um/20uin MIN. GOLD IN CONTACT AREA, 1.52um/60uin MIN. TIN IN SOLDER TAIL, BOTH OVER 0.76um/30uin MIN. NICKEL OVERALL.
 - PRODUCT SPEC : PER PS-48200-001
 - TEST SUMMARY : PER TS-48200-001
 - PACKAGE SPEC : PER PK-48200-001
 - LEAD-FREE AND ROHS COMPLIANCE PRODUCT

PART NO. LEGEND : 48200 - 6 0 **

PEG VERSION & COLOR	PLATING VERSION
0 : STANDARD ; BROWN ,WITH ONE END CUT	0
1 : STANDARD ; WHITE ,WITH ONE END CUT	1
2 : STANDARD ; BROWN ,WITH TWO END CUTS	2
3 : STANDARD ; WHITE ,WITH TWO END CUTS	4



RECOMMENDED MATING P.C.BOARD EDGE CONFIGURATION

EWR 2006-0520 EC NO: SH2006-0520 DRWN:ALLIN 2006/06/26 CHKD: 2006/06/27 APPR:WWSCHANG 2006/06/30	DESCRIPTION 2XGOLDEN GENERAL TOLERANCES (UNLESS SPECIFIED)	DIMENSION STYLE MM ONLY		SCALE	DESIGN UNITS METRIC	THIRD ANGLE PROJECTION	
		4 PLACES ± --- ± ---	DRAWN BY TOM	DATE 2005/02/04	TITLE ASS'Y 1.27MM EDGE CARD CONNECTOR (120 CKTS) (LEAD-FREE VERSION)		
REV	DRAWING	3 PLACES ± --- ± ---	CHECKED BY ALL IN	DATE 2005/02/04	MOLEX INCORPORATED		
		2 PLACES ± 0.25 ± ---	APPROVED BY WWSCHANG	DATE 2005/02/04	DOCUMENT NO. SD-48200-003		
		1 PLACE ± 0.25 ± ---	MATERIAL NO.		SHEET NO. 1 OF 1		
		ANGULAR ± 3 °	SEE TABLE				
		DRAFT WHERE APPLICABLE MUST REMAIN WITHIN DIMENSIONS	SIZE A3		THIS DRAWING CONTAINS INFORMATION THAT IS PROPRIETARY TO MOLEX INCORPORATED AND SHOULD NOT BE USED WITHOUT WRITTEN PERMISSION		

9 8 7 6 5 4 3 2 1