

isc Silicon NPN Power Transistors

2SC5763

**DESCRIPTION**

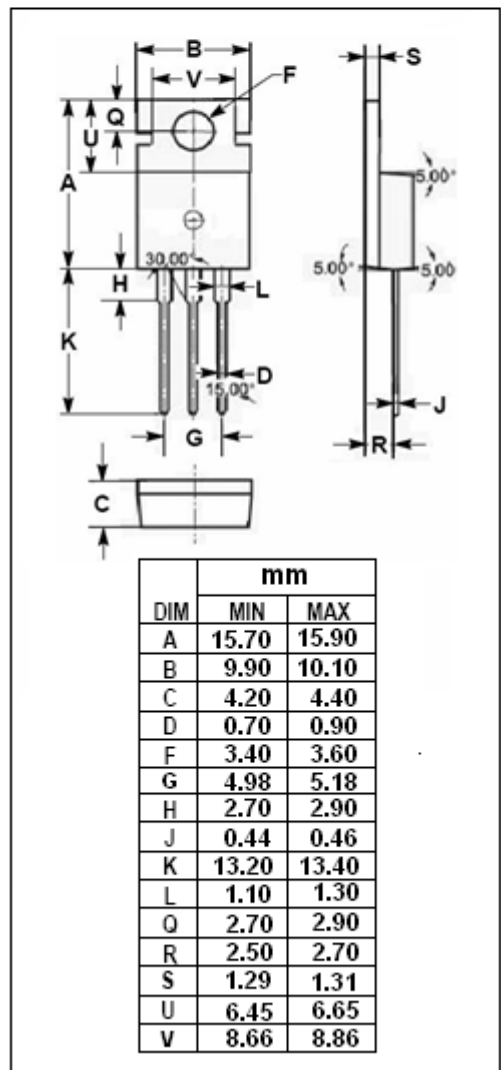
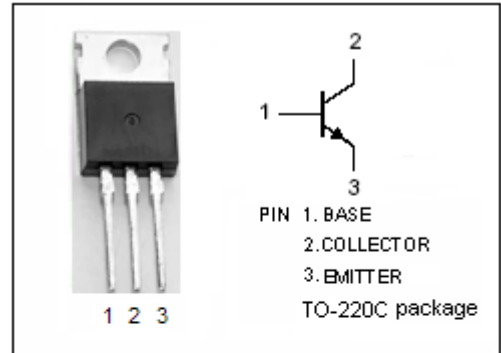
- Collector-Emitter Breakdown Voltage-  
:  $V_{(BR)CEO} = 400V(\text{Min})$
- Fast Switching Speed
- Wide Area of Safe Operation

**APPLICATIONS**

- Designed for switching regulators applications.

**ABSOLUTE MAXIMUM RATINGS( $T_a=25^\circ\text{C}$ )**

SYMBOL	PARAMETER	VALUE	UNIT
$V_{CBO}$	Collector-Base Voltage	700	V
$V_{CEO}$	Collector-Emitter Voltage	400	V
$V_{EBO}$	Emitter-Base Voltage	8	V
$I_C$	Collector Current-Continuous	7	A
$I_{CM}$	Collector Current-Peak	14	A
$P_C$	Total Power Dissipation @ $T_a=25^\circ\text{C}$	1.75	W
	Total Power Dissipation @ $T_c=25^\circ\text{C}$	55	
$T_J$	Junction Temperature	150	$^\circ\text{C}$
$T_{stg}$	Storage Temperature Range	-55~150	$^\circ\text{C}$



## isc Silicon NPN Power Transistors

## 2SC5763

## ELECTRICAL CHARACTERISTICS

 $T_C=25^\circ\text{C}$  unless otherwise specified

SYMBOL	PARAMETER	CONDITIONS	MIN	TYP.	MAX	UNIT
$V_{(BR)CEO}$	Collector-Emitter Breakdown Voltage	$I_C=5\text{mA}; R_{BE}=\infty$	400			V
$V_{(BR)CBO}$	Collector-Base Breakdown Voltage	$I_C=1\text{mA}; I_E=0$	700			V
$V_{(BR)EBO}$	Emitter-Base Breakdown Voltage	$I_E=1\text{mA}; I_C=0$	8			V
$V_{CE(sat)}$	Collector-Emitter Saturation Voltage	$I_C=4\text{A}; I_B=0.8\text{A}$			0.8	V
$V_{BE(sat)}$	Base-Emitter Saturation Voltage	$I_C=4\text{A}; I_B=0.8\text{A}$			1.5	V
$I_{CBO}$	Collector Cutoff Current	$V_{CB}=400\text{V}; I_E=0$			10	$\mu\text{A}$
$I_{EBO}$	Emitter Cutoff Current	$V_{EB}=5\text{V}; I_C=0$			10	$\mu\text{A}$
$h_{FE-1}$	DC Current Gain	$I_C=0.8\text{A}; V_{CE}=5\text{V}$	20		50	
$h_{FE-2}$	DC Current Gain	$I_C=4\text{A}; V_{CE}=5\text{V}$	10			
$h_{FE-3}$	DC Current Gain	$I_C=1\text{mA}; V_{CE}=5\text{V}$	10			
$C_{OB}$	Collector Output Capacitance	$I_E=0; V_{CB}=10\text{V}; f=1\text{MHz}$		80		pF
$f_T$	Current-Gain—Bandwidth Product	$I_C=0.8\text{A}; V_{CE}=10\text{V}$		17		MHz

## Switching times

$t_{on}$	Turn-on Time	$I_C=5\text{A}; I_{B1}=1\text{A}; I_{B2}=-2\text{A};$ $R_L=40\Omega; V_{CC}=200\text{V}$			0.5	$\mu\text{s}$
$t_{stg}$	Storage Time				2.5	$\mu\text{s}$
$t_f$	Fall Time				0.25	$\mu\text{s}$

◆  $h_{FE-1}$  Classifications

M	N
20-40	30-50