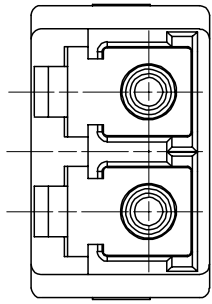
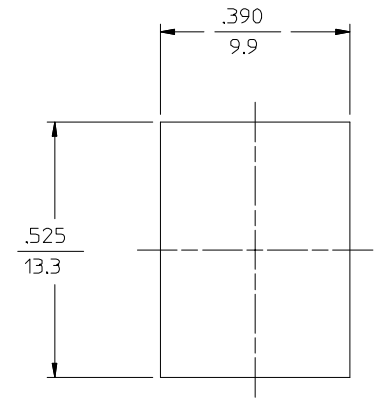
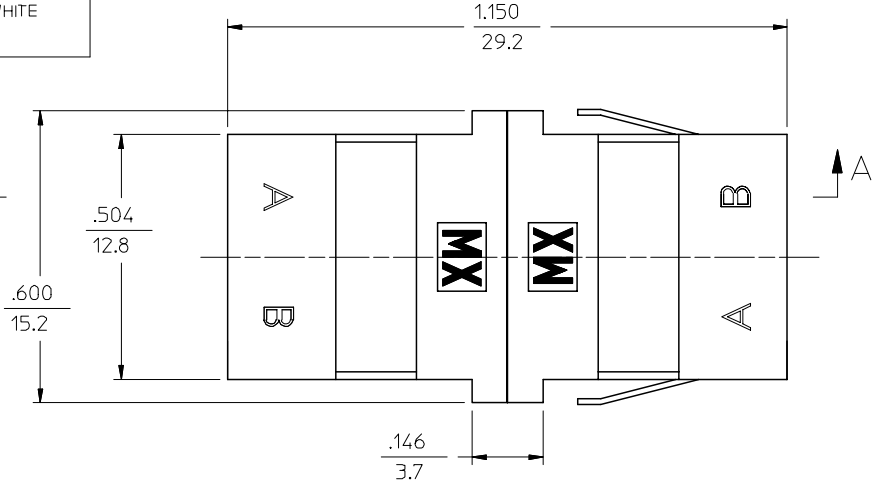


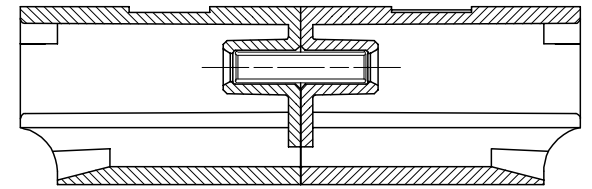
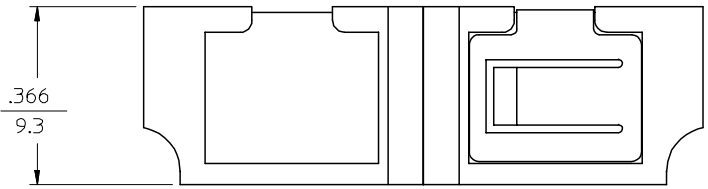
ADAPTER P/N	COLOR	SPLIT SLEEVE MATERIAL	DUST CAP COLOR
106126-0410	BEIGE	Ph. Bronze	WHITE
106126-0510	BLUE		
106126-1400	GREEN	Zr	YELLOW (ANTI-STATIC)
106126-1450	GREEN		
106126-1460	BLUE		
106126-1410	BLACK		
106126-1420	BEIGE		
106126-1430	AQUA	WHITE	



A ↑



RECOMMENDED MOUNTING CUTOUT FOR $\frac{.063}{1.6}$ THICK PANEL



SECTION A-A

- NOTES:
1. ALL DIMENSIONS ARE FOR REFERENCE ONLY.
 2. ASSEMBLED DUST CAP NOT SHOWN.

ENTER DESCRIPTION EC NO: MF2008-0017 DRWN: IGUMIN 2007/07/12 CHKD: 2007/07/12 APPR: IGUMIN 2007/07/12	QUALITY SYMBOLS ▽=0 ▽=0	GENERAL TOLERANCES (UNLESS SPECIFIED)		DIMENSION STYLE	SCALE	DESIGN UNITS	THIRD ANGLE PROJECTION		
				IN/MM	4:1	INCH			
		4 PLACES ± --- ± ---	3 PLACES ± --- ± ---	2 PLACES ± --- ± ---	1 PLACE ± --- ± ---	ANGULAR ±1/2°	DRAWN BY: PGIBL IN DATE: 2005/10/05 CHECKED BY: DATE: APPROVED BY: DATE:		
		DRAFT WHERE APPLICABLE MUST REMAIN WITHIN DIMENSIONS				MATERIAL NO. SEE TABLE	DOCUMENT NO. SD-106126-X4X0	TITLE: LC DUPLEX ADAPTER (SMALL FLANGE/SC FOOT PRINT) MOLEX INCORPORATED	
				SIZE B	THIS DRAWING CONTAINS INFORMATION THAT IS PROPRIETARY TO MOLEX INCORPORATED AND SHOULD NOT BE USED WITHOUT WRITTEN PERMISSION			SHEET NO. 1 OF 01	