

HID & SYSTEM MANAGEMENT PRODUCTS, MOUSECODER™ FAMILY
DESCRIPTION

The HulaCoder™ UR7HCDMP is an easy-to-use single-chip encoder that interfaces an innovative sensor developed by Fujitsu. Together they make the HulaPoint™. Equipped with an advanced motion algorithm, the UR7HCDMP offers low power consumption in a small footprint package. The device can be linked through either the serial or PS/2-type mouse port of the host system.

The UR7HCDMP is compatible with the IBM and Microsoft two-button and the Logitech three-button mouse communication protocols. The device will auto switch between the Serial and the PS/2 mouse communication protocol depending on the port to which the device is actually connected.

Communication through the serial port is half-duplex at a fixed speed of 1200 Baud. PS/2 communication is bidirectional at 10 Kbps. The HulaCoder™ implements all commands to and from the host system, as defined in the IBM PS/2 mouse communication protocol.

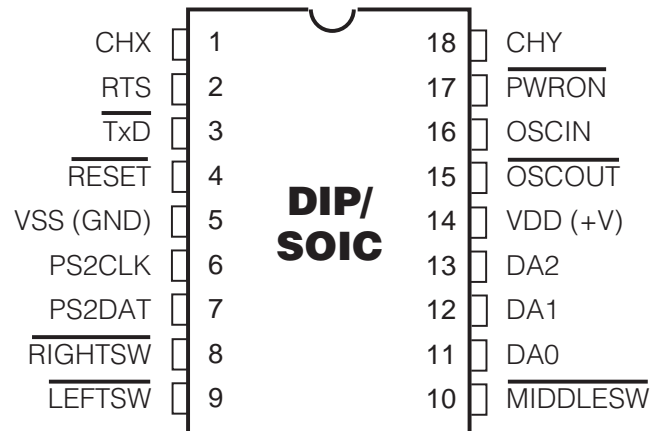
The UR7HCDMP is a CMOS device operating at 4 MHz. The low power consumption of the IC makes it suitable for battery operated systems. In serial mode, like any standard serial mouse, the IC can draw power from the RS232 lines of the host system.

FEATURES

- Equipped with advanced motion control algorithm
- Low power consumption in a 3 to 6 Volt operating range
- Effortless and accurate cursor control with 10 degree movement in every direction
- Compatible with IBM/Microsoft two-button mice and Logitech three-button mice
- Works with innovative proprietary sensor technology developed by Fujitsu Microelectronics
- Responds to feather-light touch without resistance
- Small 18 pin plastic PDIP and SOIC Packages available
- Autoselectable RS232 or PS/2 hardware interface

APPLICATIONS

- Embedded HulaPoints™
- Industrial panels
- Industrial keyboards
- Instrumentation

PIN ASSIGNMENTS


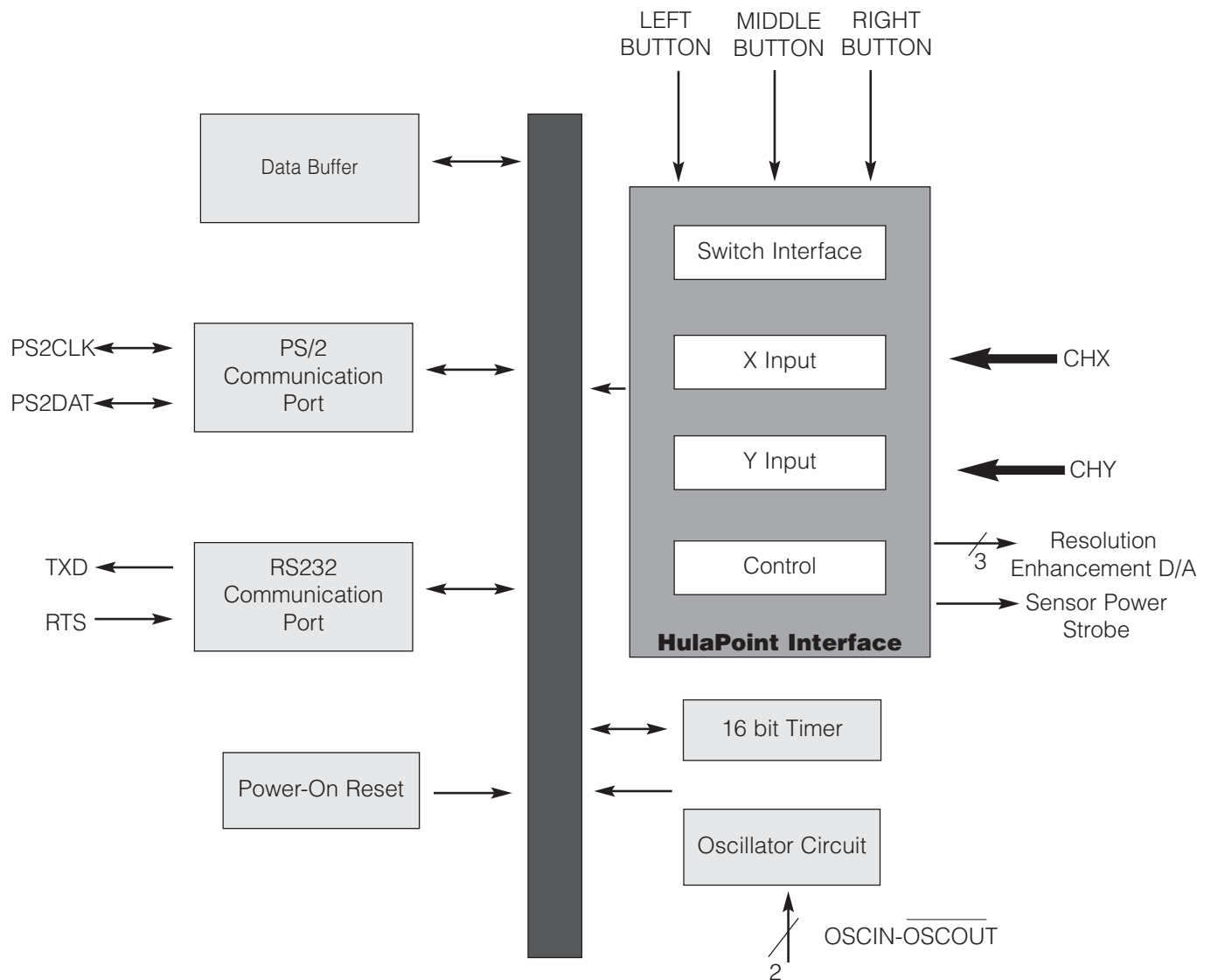
ORDERING CODE

Package options	TA = -40°C TO +85°C
18-pin, Plastic Dip	UR7HCDMP-P
18-pin, SOIC	UR7HCDMP-DW

FUNCTIONAL DESCRIPTION

The UR7HCDMP consists functionally of five major sections (see Functional Diagram below). These are the Sensor Interface, the Sixteen Bit Timer, the Oscillator Circuit, the PS/2 Communication Port and the RS232 Communication Port. All sections communicate with each other and operate concurrently.

FUNCTIONAL DIAGRAM





AUTOSELECT

At power-up the HulaCoder™ performs a power-on reset and determine the mode of operation.

PS/2 MODE

At start-up or upon receiving a reset command, clock and data lines of the HulaCoder™ can be pulled to a positive level. The UR7HCDMP then waits between 300 and 500 milliseconds before sending an 0xAA to the host followed by a device ID of 0x00. Then the IC sets itself to its default values, i.e. Incremental Stream Mode with 1:1 scaling, and a report rate of 100 Hz. The device then disable itself until it receives a command from the host.

ERROR HANDLING

For every correct command or parameter received from the host, the UR7HCDMP sends an Acknowledge (0xFA). If an invalid command or parameter is received, the UR7HCDMP issues a Resend Request (0xFE). If an invalid input is again received, the device transmits an Error Code (0xFC) to the host. Both Error and Resend Request responses are sent by the device within 25 milliseconds. The host may not issue any new commands until either the HulaCoder™ has responded or until 25 milliseconds have elapsed.

PIN DESCRIPTION

Pin Numbers

Mnemonic	DIP	SOIC	Type	Name and Function
CHX	1	1	Analog Input	Horizontal input
RTS	2	2	I/O	Ready To Send (RTS) sense, power save out
<u>TxD</u>	3	3	O, Open Drain	Transmit serial data
<u>_RESET</u>	4	4	I	Reset: apply 0 V for orderly start up.
GND	5	5	Power	Ground
PS2CLK	6	6	I/O	PS/2 clock
PS2DAT	7	7	I/O	PS/2 data
<u>_RIGHTSW</u>	8	8	I w/ Pullup	Right switch: low = on
<u>_LEFTSW</u>	9	9	I w/ Pullup	Left switch: low = on
<u>_MIDDLESW</u>	10	10	I w/ Pullup	Middle switch: low=on
DA0	11	11	O	Resolution enhancement D/A 0: least significant bit (LSb)
DA1	12	12	O	Resolution enhancement D/A 1
DA2	13	13	O	Resolution enhancement D/A 2: most significant bit (MSb)
VCC	14	14	Power	Power supply
<u>_OSCOUT</u>	15	15	O	Oscillator output
OSCIN	16	16	I	Oscillator input
<u>_PWRON</u>	17	17	O	Sensor power strobing control
CHY	18	18	Analog Input	Vertical input

Note: An underscore before a pin mnemonic denotes an active low signal.

PIN DESCRIPTION NOTES

The internal oscillator has a built-in feedback resistor. Only one external component is needed for clock generation. Semtech recommends a 4.00 MHz ceramic resonator with built-in load capacitors.

RIGHTSW, LEFTSW, and MIDDLESW inputs have built-in pull-up resistors. No additional components are required for a three-button design. However, if high levels of ESD and EMI are expected, than series protection resistors (47 Ohms to 1K Ohms) are recommended between the switches and the switches' inputs on the IC.



PS/2 MODE COMMANDS

When the **Reset Command** (0xFF) is enacted, the UR7HCDMP sets the following default parameters: Incremental Stream Mode, 1:1, scaling, disabled, and a report rate of 100 Hz and then sends 0xAA to the host followed by a device ID of 0x00.

The host sends the **Resend Last Data Stream Command** (0xFE) when it detects an error in any UR7HCDMP transmission. The device then resends the last output data stream to the host. This transmission occurs after a HulaCoder™ transmission and before the host enables the interface allowing the next HulaCoder™ output.

The **Set Default Status Command** (0xF6) re-initializes the device to its condition at power-up.

The **Disable Command** (0xF5) stops the device from transmitting all reports. However, the mode does not change; the HulaCoder™ is still able to respond to commands. If the **Disable Command** is issued while the device is transmitting a report, the UR7HCDMP immediately stops the transmission and disables itself.

If the HulaCoder™ is in Incremental Stream Mode, the Enable Command (0xF4) will allow it to begin data transmission. If the device is in Prompt Mode, the **Enable Command** updates the internal status of the HulaCoder™, but does not allow the device to transmit data to the host either while it is moving or when a button is depressed.

PS/2 DATA FORMAT

The following table shows the data report format. Values are expressed in a two's complement format with a separate sign bit. If there is an overflow of the accumulator, the maximum positive or negative count is reported and the corresponding overflow bit is set.

Byte 1		
b0	Left Button status	1 = depressed
b1	Right Button Status	1 = depressed
b2	Middle Button Status	1 = depressed
b3	Always = 1	
b4	X data sign	1 = negative
b5	Y data sign	1 = negative
b6	X data overflow	1 = overflow
b7	Y data overflow	1 = overflow

Byte 2	
b0	X0: LSB of X data
b1	X1
b2	X2
b3	X3
b4	X4
b5	X5
b6	X6
b7	X7: MSB of X data

Byte 3	
b0	Y0: LSB of Y data
b1	Y1
b2	Y2
b3	Y3
b4	Y4
b5	Y5
b6	Y6
b7	Y7: MSB of Y data

Status Report Format Table

Byte 1		
b0	Right Button	1 = depressed
b1	Middle Button	1 = depressed
b2	Left Button	1 = depressed
b3	Always = 0	
b4	Scaling - 1:1 (0) / 2:1 (1)	
b5	Disable - (0) / enable (1)	
b6	Stream - (0) / prompt (1) mode	
b7	Always = 0	

Byte 2	
b0 - 1	Current resolution setting
b2 - 7	Always = 0

Byte 3	
b0-7	Current sampling rate



PS/2 COMMANDS, (CONT'D)

The HulaCoder™ will respond to the **Set Sampling Rate Command** (0xF3) in both Stream and Prompt Modes, but will only update its internal status if the command is enacted while the device is in Stream Mode

The UR7HCDMP responds to the the **Read Device Type Command** (0xF2) immediately after the Acknowledge with a 0x00.

The **Set Prompt (Remote) Mode Command** (0xF0) sets the device to Prompt Mode. Data values are then only reported in response to a **Read Report Command** (0xEB).

If the **Set Echo Mode Command** (0xEE) is enacted, the HulaCoder™ will immediately return any data bytes except 0xFF or 0xEC.

The **Reset Echo Mode Command** (0xEC) returns the device to its previous mode - disabled. If this command occurs while the UR7HCDMP is in either Stream or Prompt Modes, the command is ignored.

The **Read Report Command** (0xEB) prompts the HulaCoder™ for a report. The report occurs even if the device did not move or if the status of the switches did not change. The report is sent by the UR7HCDMP following an Acknowledge.

The **Set Incremental Stream Mode Command** (0xEA) sets the HulaCoder™ to Stream Mode and disables the device.

SEQUENTIAL COMMANDS

Unlike normal commands, sequential commands must be enacted with a sequence of commands. If the sequence is not consecutive or is incorrect, the HulaCoder™ aborts the detection and responds the way it would normally respond to a command.

The individual commands that comprise a sequential command have been designed so that the elements of a sequential command can be sent to the HulaCoder™ via the standard IBM PS/2 BIOS calls and the device only returns a valid response to the Standard Status Request. This ensures that, if the sequential command is sent via the BIOS, the status response will be accurately returned even if the BIOS does error detection. Thus, a programmer can have complete control of the mouse without having to access the device hardware port directly.

The HulaCoder™ implements a special sequential command that can be used to determine its ability to report three buttons. The sequential command is a series of commands to the HulaCoder™ that cause the device to respond to the last command (Read Status) with alternate information.

Sequence of commands:

1. Set Resolution = one count/ mm
Direct: E8H,00H BIOS: INT15H, AX=C203H, BX=0
2. Set Scaling = 1:1
Direct: E6H BIOS: INT15H, AX=C206H, BX=1
3. Set Scaling = 1:1
Direct: E6H BIOS: INT15H, AX=C206H, BX=1
4. Set Scaling = 1:1
Direct: E6H BIOS: INT15H, AX=C206H, BX=1
5. Read Status
Direct: E9H BIOS: INT15H, AX=C206H, BX=0

The response to the Read Status Command is in the form:

Byte 1: Standard Status Information (buttons, scaling, etc.)

Byte 2: Number of mouse buttons (3)

Byte 3: Firmware Revision Number (encoded)



PS/2 MODE COMMANDS, (CONT)

The **Status Request command** (0xE9) returns a 3 byte status report.

The **Set Resolution command** (0xE8) controls resolution, and the **Set 2:1 Scaling Command** (0xE7) enables a coarse/fine tracking response. The HulaCoder™ uses its advanced motion algorithm, so although Set Resolution and Scaling commands are acknowledged and reported as activated, their content is ignored. The **Set 1:1 Scaling Command** (0xE6) enables the values of movements to be transmitted to the host without any scaling.

SERIAL MODE

Communication through the serial port is half-duplex at a fixed speed of 1200 Baud, 7N2 protocol.

At start-up and after each RTS toggle the HulaCoder™ sends a two-character ASCII string "M3" indicating 3-button capability to the host.

A data report is sent if motion is detected, or if buttons are pressed or released. Motion is reported relative to the last report sent, in a two's complement form and eight (8) bit resolution. In other words, the maximum motion values are -128 to +127, saturated at min/max for faster speeds. Byte 4 is sent only if the middle button is pressed, held-down, or released.

SERIAL DATA REPORT FORMAT TABLE

Byte 1

b0	X6	
b1	X7: MSB of X Data	
b2	Y6	
b3	Y7: MSB of Y Data	
b4	Right Button Status	1 = depressed
b5	Left Button Status	1 = depressed
b6	Always=1	

Byte 2

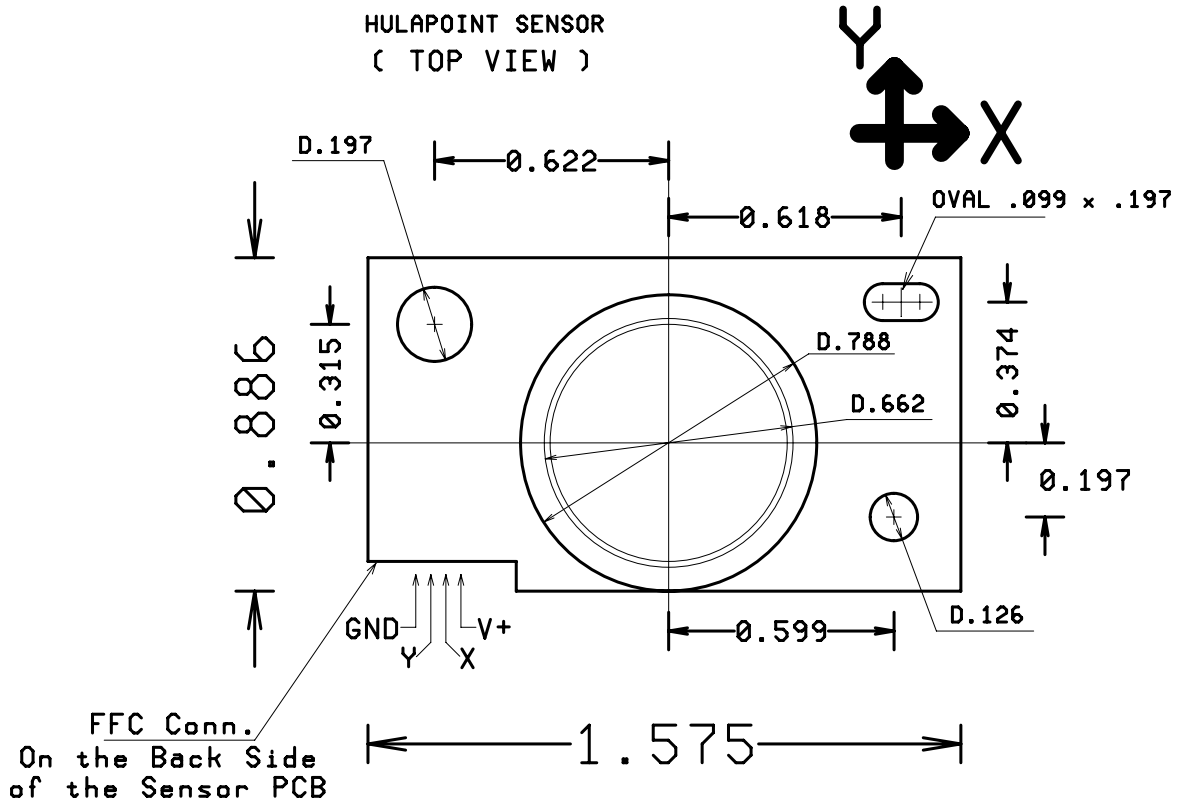
b0	X0: LSB of X data
b1	X1
b2	X2
b3	X3
b4	X4
b5	X5
b6	Always=0

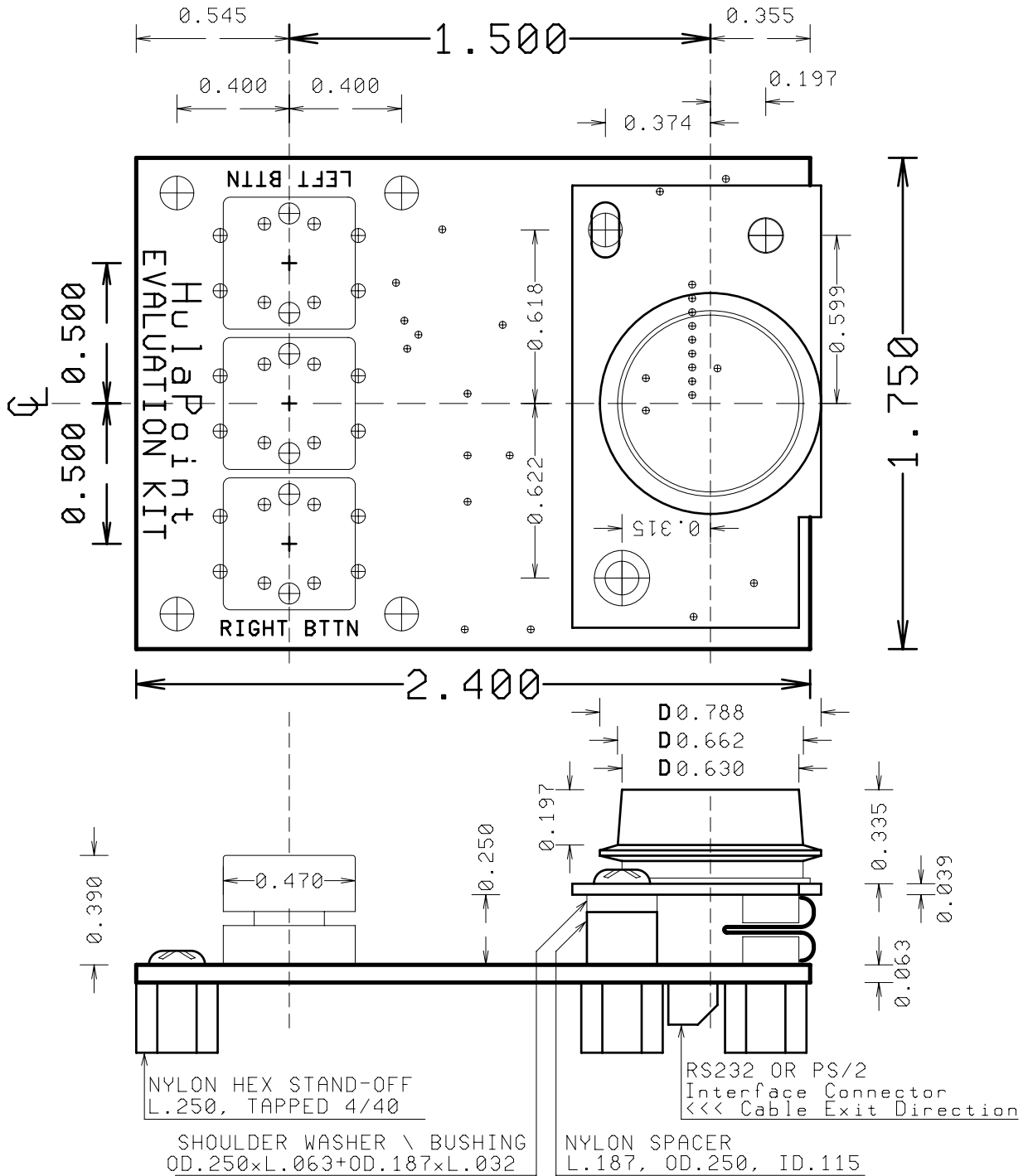
Byte 3

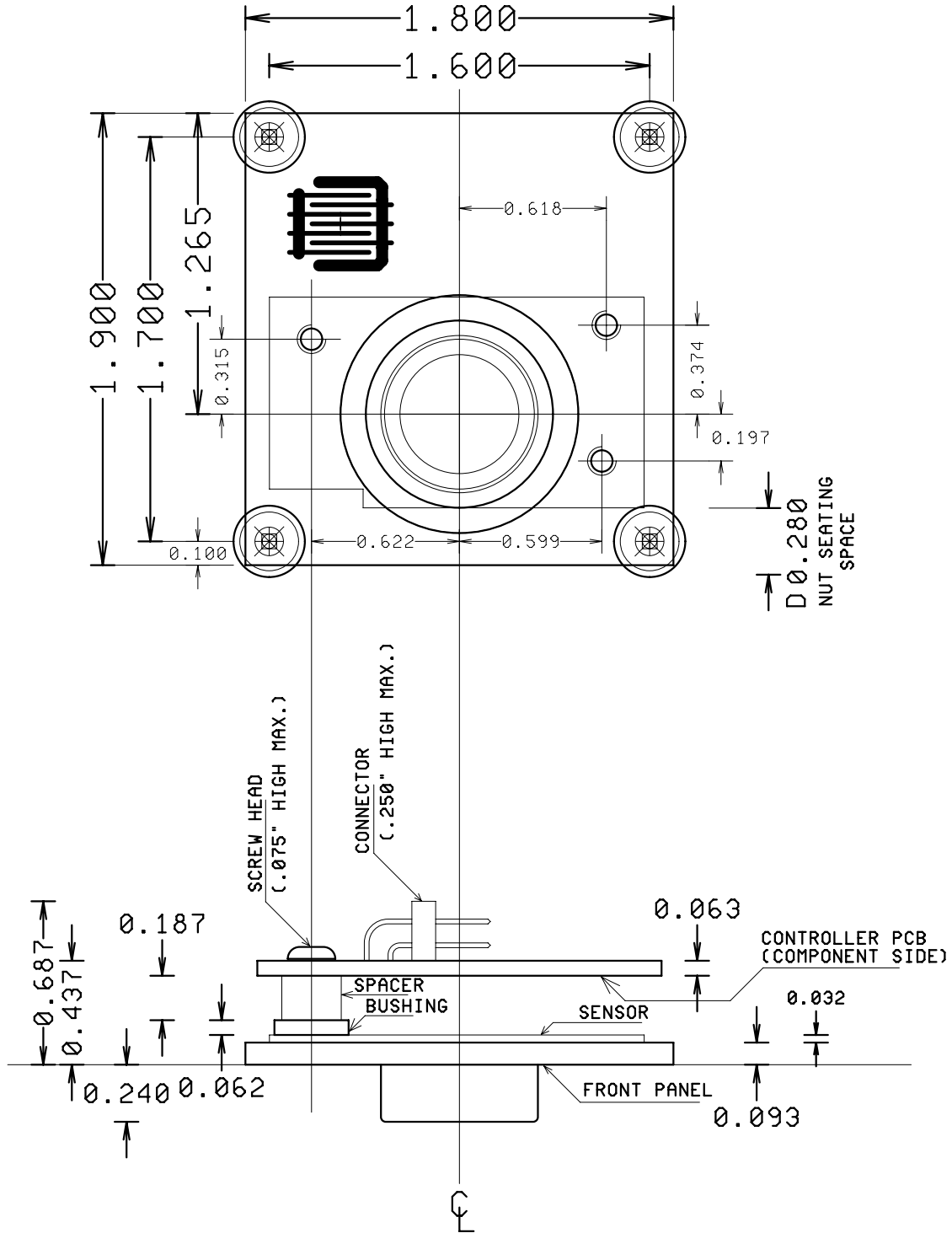
b0	Y0: LSB of Y data
b1	Y1
b2	Y2
b3	Y3
b4	Y4
b5	Y5
b6	Always=0

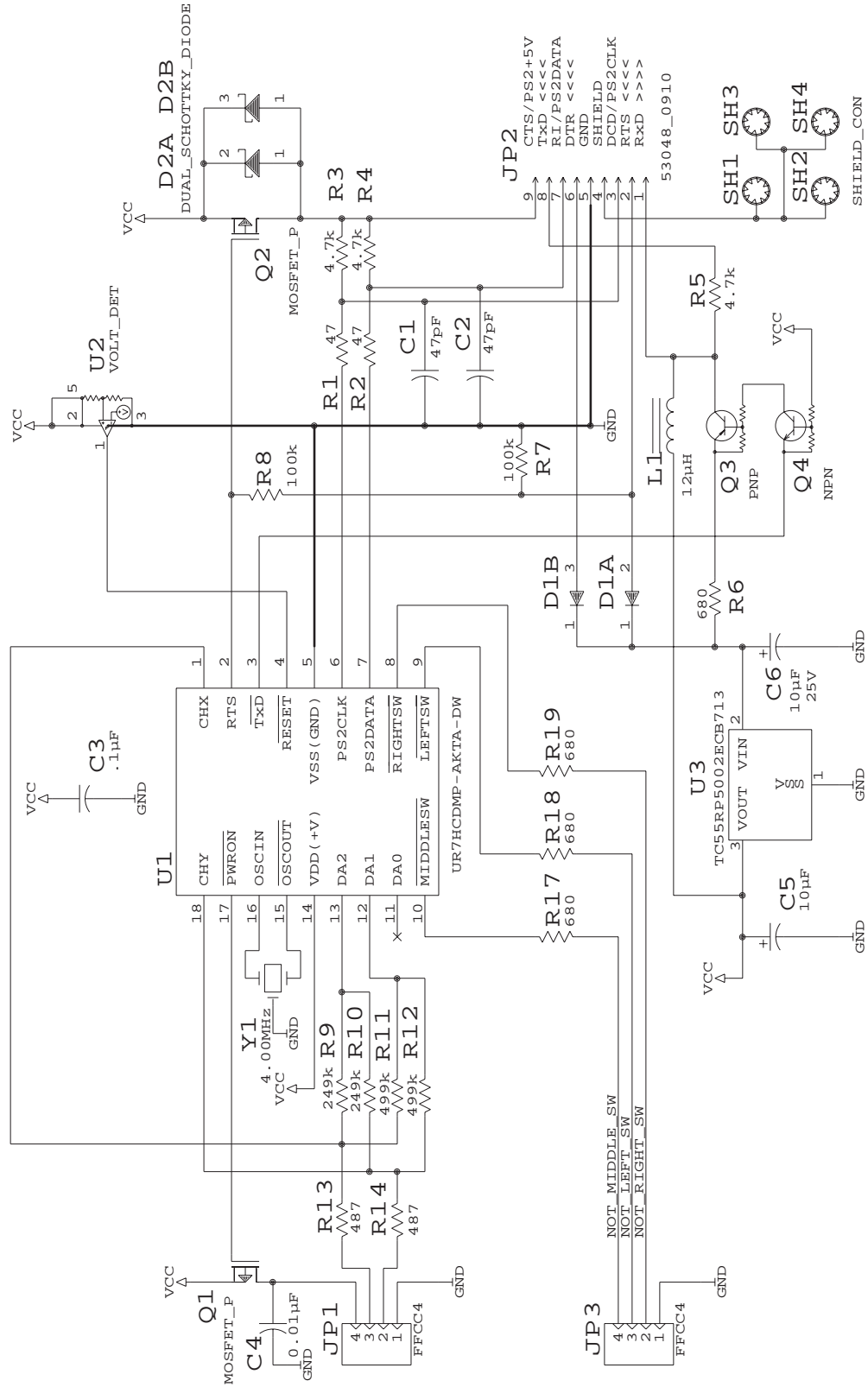
Byte 4

b0 - 4	Always = 0
b5	Middle Button Status 1=depressed
b6	Always=0











ELECTRICAL SPECIFICATIONS FOR HULACODER™ UR7HCDMP

Absolute Maximum Ratings

Ratings	Symbol	Value	Unit
Supply voltage	Vdd	0 to 7.5	V
Input voltage	Vin	Vss -0.6 to Vdd +0.6	V
Current drain per pin (not including Vss or Vdd)	I	20	mA
Operating temperature UR7HCDMP-xx	Ta	T low to T high -40 to +85	°C
Storage temperature range	Tstg	-65 to +150	°C
Ambient temperature under bias	Tbias	-55 to +125	°C

DC Electrical Characteristics, Temperature range=T low to T high unless otherwise noted)

Characteristic	Symbol	Min	Typ	Max	Unit
Supply voltage		3.0	5.0	6.0	V
Output voltage	Voh Vol	Vdd-0.1		0.1	V
Input high voltage	Vih	0.7xVdd	Vdd		V
Input low voltage	Vil	Vss		0.2xVdd	V
Input current		Iin		+/- 1	µA
Internal pull-up current	I _{pup}	50	250	500	µA
Supply current Vdd=0 5. Vdc+/-10%, Vss=0	I _{dd}		2.0	3.5	mA

Control Timing (Vdd=5.0 Vdc +/-10%, Vss=0 Vdc, Temperature range=T low to T high unless otherwise noted)

Characteristic	Symbol	Min	Typ	Max	Unit
Frequency of operation					
■ Crystal option	fosc		4.0		MHz
■ External clock option	fosc		4.0		MHz

**For sales information
and product literature,
contact:**

HID & System Mgmt Division
Semtech Corporation
652 Mitchell Road
Newbury Park, CA 91320
hidinfo@semtech.com
<http://www.semtech.com/>
805 498 2111 Telephone
805 498 3804 Telefax

Semtech Western Regional Sales
805-498-2111 Telephone
805-498-3804 Telefax

Semtech Central Regional Sales
972-437-0380 Telephone
972-437-0381 Telefax

Semtech Eastern Regional Sales
203-964-1766 Telephone
203-964-1755 Telefax

Semtech Asia-Pacific Sales Office
+886-2-2748-3380 Telephone
+886-2-2748-3390 Telefax

Semtech Japan Sales Office
+81-45-948-5925 Telephone
+81-45-948-5930 Telefax

Semtech Korea Sales Sales
+82-2-527-4377 Telephone
+82-2-527-4376 Telefax

Northern European Sales Office
+44 (0)2380-769008 Telephone
+44 (0)2380-768612 Telefax

Southern European Sales Office
+33 (0)1 69-28-22-00 Telephone
+33 (0)1 69-28-12-98 Telefax

Central European Sales Office
+49 (0)8161 140 123 Telephone
+49 (0)8161 140 124 Telefax

Copyright ©1995-2001 Semtech Corporation. All rights reserved.
HulaCoder, HulaPoint, and MouseCoder are trademarks of Semtech Corporation. Semtech is a registered trademark of Semtech Corporation. All other trademarks belong to their respective companies.

INTELLECTUAL PROPERTY DISCLAIMER
This specification is provided "as is" with no warranties whatsoever including any warranty of merchantability, fitness for any particular purpose, or any warranty otherwise arising out of any proposal, specification or sample. A license is hereby granted to reproduce and distribute this specification for internal use only. No other license, expressed or implied to any other intellectual property rights is granted or intended hereby. Authors of this specification disclaim any liability, including liability for infringement of proprietary rights, relating to the implementation of information in this specification. Authors of this specification also do not warrant or represent that such implementation(s) will not infringe such rights.