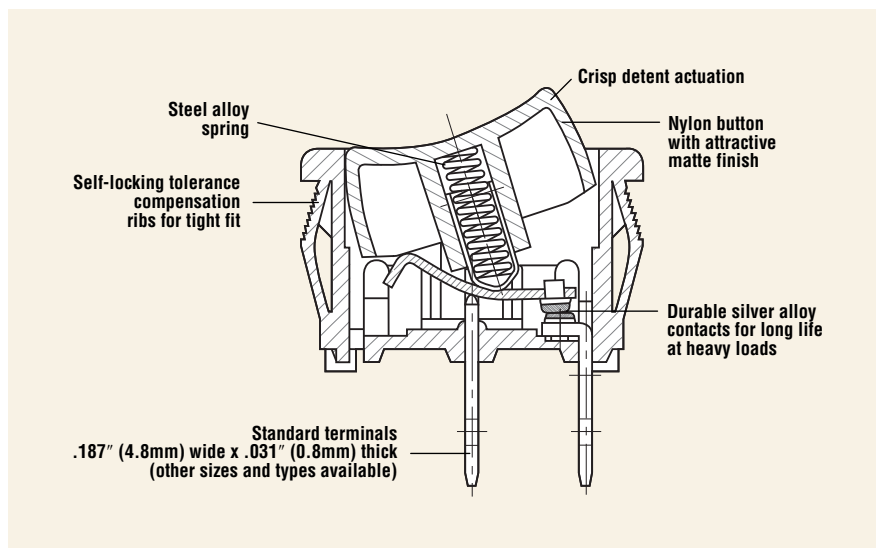


# MINIATURE ROCKER SWITCH

## SR Series

### Features

- 10 or 20 amp switching in a miniature package
- Single-throw and double-throw options
- Choice of actuator and housing color
- Variety of terminals available
- Industry-standard mounting dimensions
- Mechanical life: min. 100,000 operations



### Electrical Ratings

Switch Series	EN61058 Rating	UL1054 Rating	Electrical Life at Rated Load	
			According to VDE (Min. Operations)	According to UL (Min. Operations)
SR	10(4)A, 250V~, ∞T85	10A, 125VAC; 6A, 250VAC	10,000	6,000

### Specifications

#### Electrical

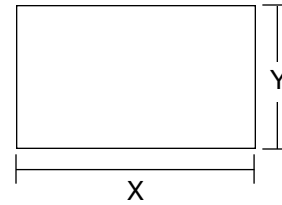
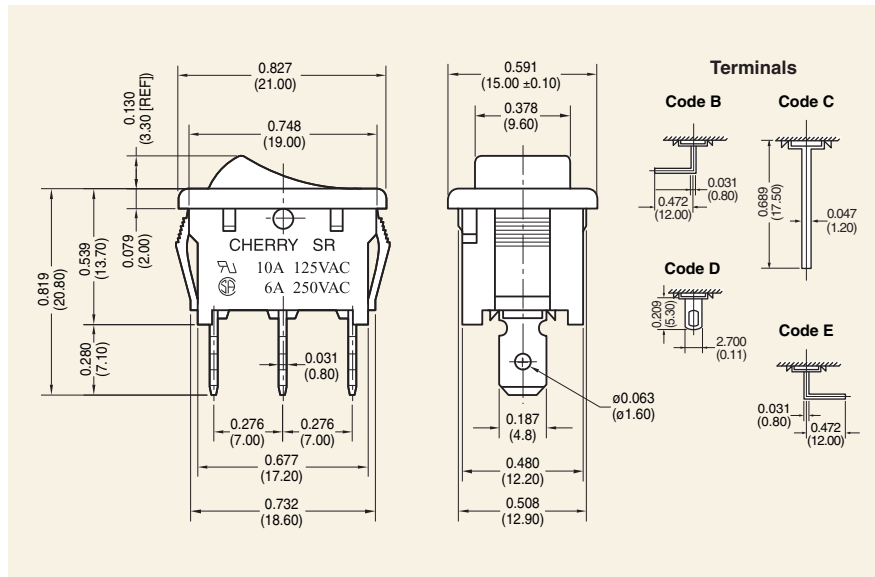
Dielectric Strength:	1000VAC for 1 minute
Insulation Resistance:	10 <sup>8</sup> ohms min at 500VDC
Initial Contact Resistance:	0.020 ohms max
Temperature Range:	-20°C to +65°C

#### Materials

Actuator:	Nylon 66 94V-2
Case:	Nylon 66 94V-2
Spring:	Steel Wire
Contacts:	Silver or Copper Alloy
Movable Arm:	Silver-Plated Copper Alloy
Terminals:	Tin-Plated Copper Alloy



### Dimensions inches (mm)



Z = Panel Thickness

### Recommended Panel Cut-Out Dimensions

inches (mm)

Dim. Z	Dim. X	Dim. Y
0.030 to 0.049 (0.75 to 1.25)	0.752 (19.10)	0.508 (12.90)
0.049 to 0.079 (1.25 to 2.00)	0.760 (19.30)	0.508 (12.90)
0.079 to 0.118 (2.00 to 3.00)	0.775 (19.76)	0.508 (12.90)

### Examples of Common Part Numbers and Descriptions inches (mm)

Part Number	Circuitry	Switch Function	Terminal Type	Actuator/ Housing Color	Legend Marking
SRB22A2FBBNN		On - Off	0.187 (4.8) Quick-Connect	Black/Black	
SRB22A2BBBNN		On - Off	0.187 (4.8) Quick-Connect	Black/Black	
SRB22A2DBBNN		On - Off	0.187 (4.8) Quick-Connect	Black/Black	
SRB23A2BBBNN		On - On	0.187 (4.8) Quick-Connect	Black/Black	
SRB24A2HBBNN		On - Off - On	0.187 (4.8) Quick-Connect	Black/Black	

Boot #0015-0644

### Ordering Information

<b>SR</b>	<b>B</b>	<b>2</b>	<b>4</b>	<b>A</b>	<b>2</b>	<b>H</b>	<b>B</b>	<b>B</b>	<b>N</b>	<b>N</b>
<b>Series</b>	<b>Code</b> B	<b>Circuitry</b> 2	<b>Code</b> 2	<b>Switch Function</b> On - Off	<b>Code</b> 2	<b>Actuator Type</b> Curve	<b>Code</b> B	<b>Housing Color</b> Black	<b>Code</b> N	<b>Lighted</b> Non-Lighted
<b>Code</b> B	<b>Contact Rating</b> 10A, 125VAC 6A, 250VAC (UL, CSA) 10(4)A, 250V~, αT85 (VDE)		<b>Code</b> 3	<b>Switch Function</b> On - On	<b>Code</b> C	<b>Actuator Marking</b> Blank	<b>Code</b> W	<b>Housing Color</b> White	<b>Code</b> S	<b>Splashproof</b> No Rocker Boot
<b>Code</b> J	<b>Contact Rating</b> 20A, 125VAC (UL, cUL)		<b>Code</b> 4	<b>Switch Function</b> On - Off - On	<b>Code</b> D	<b>Actuator Marking</b> OFF	<b>Code</b> Y	<b>Housing Color</b> Grey	<b>Code</b> C	<b>Splashproof</b> Waterproof Boot
			<b>Code</b> 5	<b>Switch Function</b> (On) - Off	<b>Code</b> E	<b>Actuator Marking</b> O I	<b>Code</b> R	<b>Housing Color</b> Red		
			<b>Code</b> A	<b>Terminal Type</b> inches (mm) 0.187 (4.8) QC	<b>Code</b> F	<b>Actuator Marking</b> O -	<b>Code</b> W	<b>Housing Color</b> White		
			<b>Code</b> B	<b>Terminal Type</b> inches (mm) PC Thru-Hole Left Angle	<b>Code</b> G	<b>Actuator Marking</b> •	<b>Code</b> Y	<b>Housing Color</b> Grey		
			<b>Code</b> C	<b>Terminal Type</b> inches (mm) PC Thru-Hole Straight	<b>Code</b> H	<b>Actuator Marking</b> I O II	<b>Code</b> C	<b>Housing Color</b> Brown		
			<b>Code</b> E	<b>Terminal Type</b> inches (mm) PC Thru-Hole Right Angle						
			<b>Code</b> P	<b>Terminal Type</b> inches (mm) 0.346 x 0.189 (8.79 x 4.80) Solder Tag						