

Tyco / Electronics
Raychem Circuit Protection
 308 Constitution Drive
 Menlo Park, CA 94025-1164
 Phone: 800-227-4856
 Fax: 800-227-4866

Circuit Protection®
PTC Devices
 Overcurrent Protection Device

PRODUCT: SMD050-2018

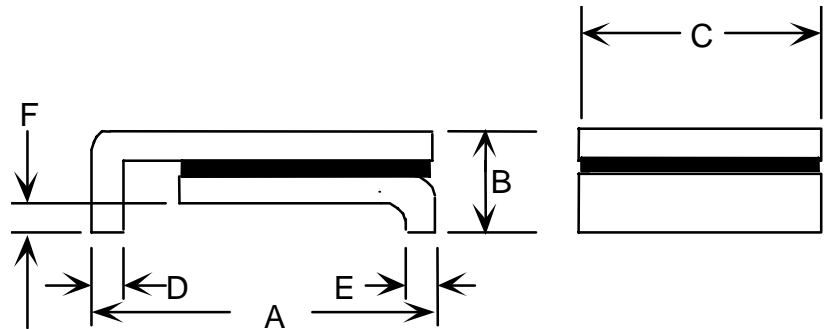
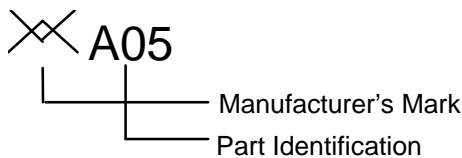
DOCUMENT: SCD 24697
 PCN: 175564
 REV LETTER: E
 REV DATE: JANUARY 22, 2002
 PAGE NO.: 1 OF 1

Specification Status: Released

Maximum Electrical Ratings

Voltage: 57 V_{DC}
Current: 10 A

Marking:



Notes:

1. All metal surfaces are tin plated.
2. Devices cannot be wave soldered.
3. Drawing not to scale.

TABLE I. DIMENSIONS:

	A		B		C		D		E		F	
	MIN	MAX	MIN	MAX	MIN	MAX	MIN	MAX	MIN	MAX	MIN	MAX
mm:	4.72	5.44	--	1.78	4.22	4.93	0.25	0.36	0.25	0.36	0.30	0.46
in*:	(0.186)	(0.214)	--	(0.070)	(0.166)	(0.194)	(0.010)	(0.014)	(0.010)	(0.014)	(0.012)	(0.018)

*Rounded off approximation

TABLE II. PERFORMANCE RATINGS:

CURRENT RATINGS**						TIME TO TRIP **	RESISTANCE VALUES		TRIPPED-STATE POWER DISSIPATION**
AMPERES AT 0°C		AMPERES AT 20°C		AMPERES AT 70°C		SECONDS AT 20°C, 2.5A MAX	OHMS AT 20°C		WATTS AT 20°C
HOLD	TRIP	HOLD	TRIP	HOLD	TRIP		MIN	MAX*	MAX
0.70	1.61	0.55	1.20	0.36	0.67	5.0	0.2	0.7	0.8

*Maximum resistance is measured 1 hour after reflow

**Values specified were determined using PCB's with 0.030"x1.5ounce copper traces

Reference Documents:

PS300, E.N. SMD 1.0x

Precedence:

This specification takes precedence over documents referenced herein.

Effectivity:

Reference documents shall be the issue in effect on the date of invitation for bid.

CAUTION:

Operation beyond the rated voltage or current may result in rupture, electrical arcing or flame.