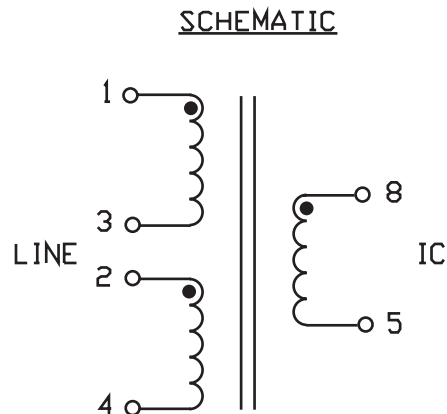


G.SHDSL MAGNETICS

S560-6600-LL

ELECTRICAL CHARACTERISTICS (@25°C)

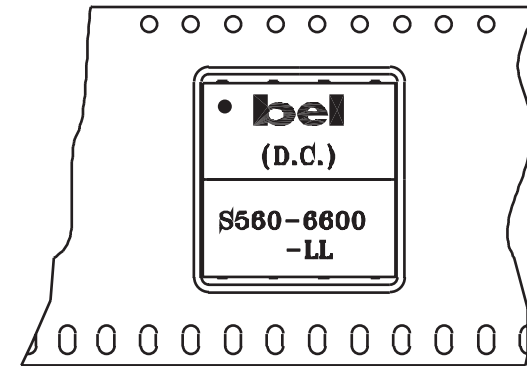
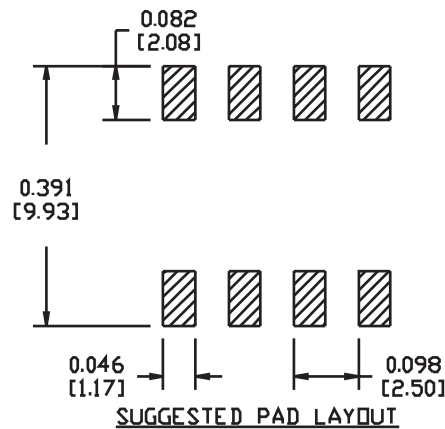
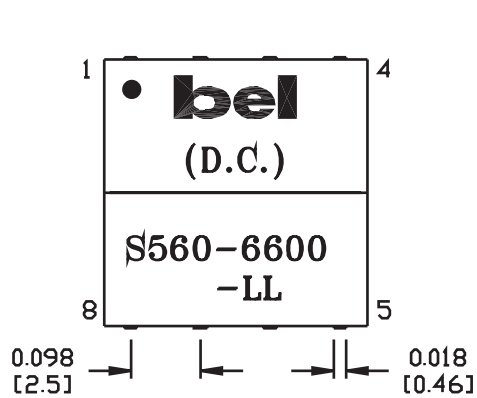


NOMINAL TURNS RATIO: (1-4) : (8-5) CONNECT TERMINALS 2 TO 3	4.5 : 1
DC RESISTANCE: (1-4) (8-5) CONNECT TERMINALS 2 TO 3 AND 5 TO 7	6.2 Ω MAX 1.2 Ω MAX
INDUCTANCE @ 10 kHz, 0.1 V _{rms} : (1-4) CONNECT TERMINALS 2 TO 3	3mH \pm 6%
LEAKAGE INDUCTANCE: (1-4) CONNECT TERMINALS 2 TO 3 & 5 TO 8	25 μ H
MAXIMUM INTERWINDING CAPACITANCE: BETWEEN (1-4) & (8-5) CONNECT TERMINALS 2 TO 3	75 pF
HARMONIC DISTORTION: 3kHz, 1V _{rms} , 35mA DC	-78 dB MAX
MINIMUM DIELECTRIC RATING: BETWEEN (1-4) & (8-5) CONNECT TERMINALS 2 TO 3	1500 V _{rms}
OPERATING TEMPERATURE RANGE:	-40°C TO +85°C



G.SHDSL MAGNETICS

S560-6600-LL



➔ USER FEED DIRECTION

ORIENTATION OF COMPONENT INSIDE POCKET

TAPE WIDTH	24MM
POCKET PITCH	20MM
QUANTITY OF COMPONENTS PER REEL	200
PLASTIC REEL OUTER DIAMETER	13 INCHES
PLASTIC REEL HUB DIAMETER	4 INCHES

