



P/N: S5020 DATA SHEET

Feature



- Operating temperature range: 0°C to +70°C
- Storage temperature range: -25°C to +125°C.

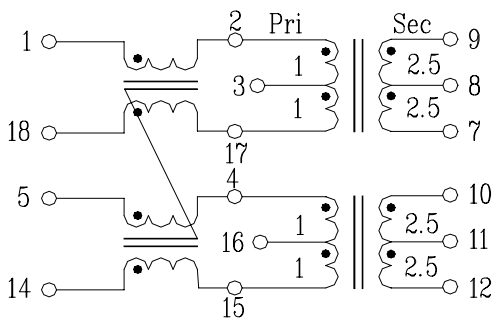
Electrical Specifications@25°C

Part Number	Turns Ratio(±1%) 15KHz/0.1Vrms		OCL @ 10KHz/0.1Vrms		L.L(μH Max) @ 100KHz/0.1Vrms	Choke L.L(μH Max) @ 100KHz/0.1Vrms
	9-7:2-17 10-12:4-15	1-2:18-17 5-4:14-15	2-17=4-15	1-2=17-18=4-5=14-15	2-17/4-15(9-7/10-12Short)	1-2/4-5(17-18/14-15Short)
S5020	2.5:1	1:1	30 mH Min	5 mH (+50/-30%)	5	0.6

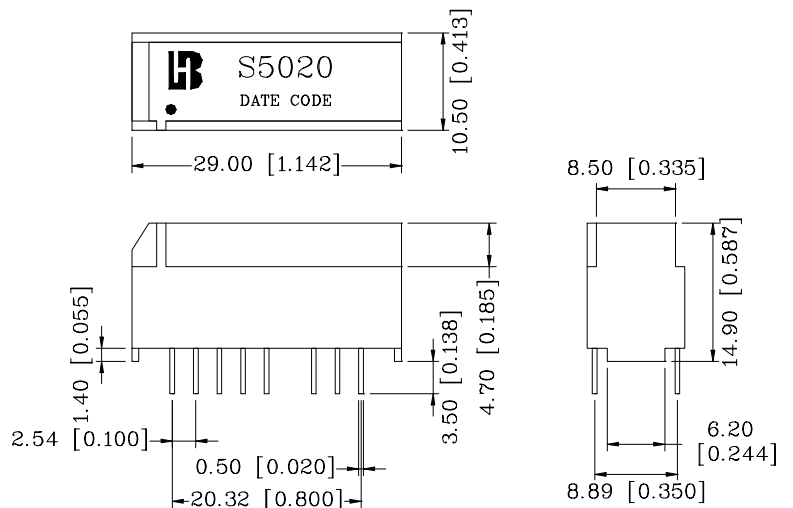
Continue

Part Number	C _{ww} (pF Max) @ 10KHz/0.1Vrms	HI-POT (Vrms 1mA 2Sec)		DCR(Ω Max)		
	1-9,5-10	2-9/4-10	3-16(1-9/5-10 Short)	2-17=4-15	9-7=10-12	1-2=17-18=4-5=14-15
S5020	150	1500	500	2.5	5.6	1.1

Schematic



Mechanical



Units: mm[Inches] Tolerance: xx.x0±0.25[0.010]
0.xx±0.05[0.002]