



Mini UHF Male to FME Plug Adapter

TECHNICAL DATA SHEET

PE9705

Mini UHF Male to FME Plug Adapter

Configuration

| | |
|----------------|---------------|
| Connector 1 | Mini UHF Male |
| Impedance 1 | 50 Ohms |
| Connector 2 | FME Plug |
| Impedance 2 | 50 Ohms |
| Adapter Design | Standard |
| Body Style | Straight |

Mechanical Specifications

Size

| | |
|---------------------|---------------|
| Length, in [mm] | 0.9 [22.86] |
| Width/Dia., in [mm] | 0.452 [11.48] |

Connector 1

| | |
|--------------------------------------|---------------|
| Type | Mini UHF Male |
| Inner Conductor Material and Plating | Brass, Gold |
| Coupling Nut Material and Plating | Brass, Nickel |
| Body Material and Plating | Brass, Nickel |
| Dielectric Type | Teflon |

Connector 2

| | |
|--------------------------------------|---------------|
| Type | FME Plug |
| Inner Conductor Material and Plating | Brass, Gold |
| Body Material and Plating | Brass, Nickel |
| Dielectric Type | Teflon |

Compliance Certifications (visit www.Pasternack.com for current document)

| | |
|----------------|-----|
| RoHS Compliant | Yes |
|----------------|-----|

Plotted and Other Data

| | |
|--------|----------------------------|
| Notes: | Values at 25 °C, sea level |
|--------|----------------------------|

URL: <http://www.pasternack.com/mini-uhf-male-fme-plug-straight-adapter-pe9705-p.aspx>

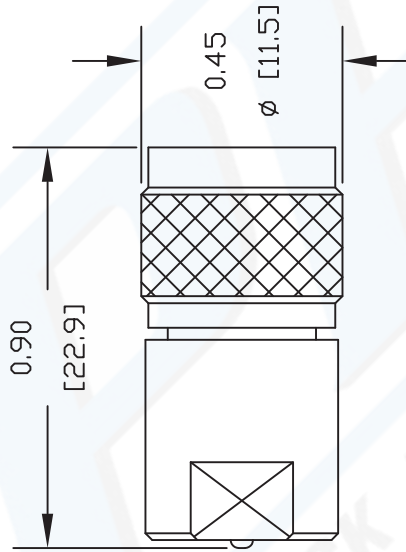
Mini UHF Male to FME Plug Adapter from Pasternack Enterprises has same day shipment for domestic and International orders. Our RF, microwave and fiber optic products maintain a 99% availability and are part of the broadest selection in the industry.

The information contained in this document is accurate to the best of our knowledge and representative of the part described herein. It may be necessary to make modifications to the part and/or the documentation of the part, in order to implement improvements. Pasternack reserves the right to make such changes as required. Unless otherwise stated, all specifications are nominal.



PE9705 CAD Drawing

Mini UHF Male to FME Plug Adapter



NOTES:
 1. UNLESS OTHERWISE SPECIFIED ALL DIMENSIONS ARE NOMINAL.
 2. ALL SPECIFICATIONS ARE SUBJECT TO CHANGE WITHOUT NOTICE AT ANY TIME.
 3. DIMENSIONS ARE IN INCHES [mm].

DWG TITLE
PE9705

PASTERNAK ENTERPRISES, INC.
 P O BOX 16759, IRVINE, CA 92623
 PHONE (949) 261-1920 FAX (949) 261-7451
 WEB ADDRESS: www.pasternack.com
 E-MAIL ADDRESS: sales@pasternack.com
COAXIAL & FIBER OPTICS



| | | | | | |
|--------|----------------|-----------------|-----------|--------|-----|
| REV. - | FSCM NO. 53919 | CAD FILE 101502 | SCALE N/A | SIZE A | 127 |
|--------|----------------|-----------------|-----------|--------|-----|