

Precision N Male to N Male Adapter



TECHNICAL DATA SHEET

PE9427

Precision N Male to N Male Adapter

Configuration

Connector 1	N Male
Connector 2	N Male
Adapter Design	Precision
Body Style	Straight

Electrical Specifications

Frequency Range, GHz	DC to 18
Impedance, Ohms	50
Maximum VSWR	1.15:1

Mechanical Specifications

Size

Length, in [mm]	1.872 [47.55]
Width/Dia., in [mm]	0.8 [20.32]
Dielectric Type	Oxide-Noryl

Connector 1

Type	N Male
Inner Conductor Material and Plating	Beryllium Copper, Gold
Inner Conductor Plating Specification	MIL-G-45204
Body Material and Plating	Stainless Steel, Passivated
Body Plating Specification	ASTM A380

Connector 2

Type	N Male
Inner Conductor Material and Plating	Beryllium Copper, Gold
Inner Conductor Plating Specification	MIL-G-45204
Body Material and Plating	Stainless Steel, Passivated
Body Plating Specification	ASTM A380

Compliance Certifications (visit www.Pasternack.com for current document)

RoHS Compliant	Yes
----------------	-----

Plotted and Other Data

Notes:	Values at 25 °C, sea level
--------	----------------------------

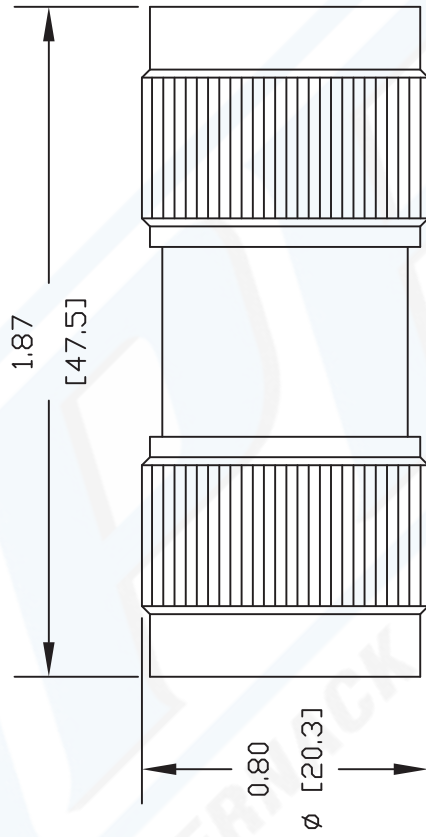
URL: <http://www.pasternack.com/n-male-n-male-straight-adapter-pe9427-p.aspx>

Precision N Male to N Male Adapter from Pasternack Enterprises has same day shipment for domestic and International orders. Our RF, microwave and fiber optic products maintain a 99% availability and are part of the broadest selection in the industry.

The information contained in this document is accurate to the best of our knowledge and representative of the part described herein. It may be necessary to make modifications to the part and/or the documentation of the part, in order to implement improvements. Pasternack reserves the right to make such changes as required. Unless otherwise stated, all specifications are nominal.

PE9427 CAD Drawing

Precision N Male to N Male Adapter



NOTES:
 1. UNLESS OTHERWISE SPECIFIED ALL DIMENSIONS ARE NOMINAL.
 2. ALL SPECIFICATIONS ARE SUBJECT TO CHANGE WITHOUT NOTICE AT ANY TIME.
 3. DIMENSIONS ARE IN INCHES [mm].

DWG TITLE
PE9427

127

SIZE A

SCALE N/A

CAD FILE 041609

FSCM NO. 53919

REV. B

PE PASTERNAK®
 Pasternack Enterprises, Inc.
 P.O. Box 16759 | Irvine | CA | 92623
Phone: (949) 261-1920 | **Fax:** (949) 261-7451
Website: www.pasternack.com | **E-Mail:** sales@pasternack.com