



## GR874 Sexless Connector Crimp/Solder Attachment For RG55, RG58, RG141, RG142, RG223, RG400

### TECHNICAL DATA SHEET

PE4233

#### GR874 Sexless Connector Crimp/Solder Attachment For RG55, RG58, RG141, RG142, RG223, RG400

##### Configuration

Connector	GR874 Sexless
Connector Specification	MIL-C-39012
Connector Interface Type	RG55, RG58, RG141, RG142, RG223, RG400
Cable Attachment Method (Shield/Contact)	Crimp/Solder
Body Style	Straight

##### Electrical Specifications

Impedance, Ohms	50
-----------------	----

##### Mechanical Specifications

###### Temperature

Operating Range, deg C	-65 to +165
------------------------	-------------

###### Size

Length, in [mm]	2.205 [56.01]
Width/Dia., in [mm]	0.81 [20.57]
Weight, lbs [g]	0.082 [37.19]

##### Connector

Type	GR874 Sexless
Contact Material and Plating	Gold
Contact Plating Specification	MIL-G-45204
Body Material and Plating	Brass, Nickel
Dielectric Type	Teflon

##### Compliance Certifications (visit [www.Pasternack.com](http://www.Pasternack.com) for current document)

RoHS Compliant	Yes
----------------	-----

Click the following link (or enter part number in "SEARCH" on website) to obtain additional part information including price, inventory and certifications: [GR874 Sexless Connector Crimp/Solder Attachment For RG55, RG58, RG141, RG142, RG223, RG400 PE4233](#)

The information contained in this document is accurate to the best of our knowledge and representative of the part described herein. It may be necessary to make modifications to the part and/or the documentation of the part, in order to implement improvements. Pasternack reserves the right to make such changes as required. Unless otherwise stated, all specifications are nominal.



GR874 Sexless Connector Crimp/Solder Attachment  
For RG55, RG58, RG141, RG142, RG223, RG400

TECHNICAL DATA SHEET

PE4233

**Plotted and Other Data**

Notes:

Values at 25 °C, sea level

GR874 Sexless Connector Crimp/Solder Attachment For RG55, RG58, RG141, RG142, RG223, RG400 from Pasternack Enterprises has same day shipment for domestic and International orders. Our RF, microwave and fiber optic products maintain a 99% availability and are part of the broadest selection in the industry.

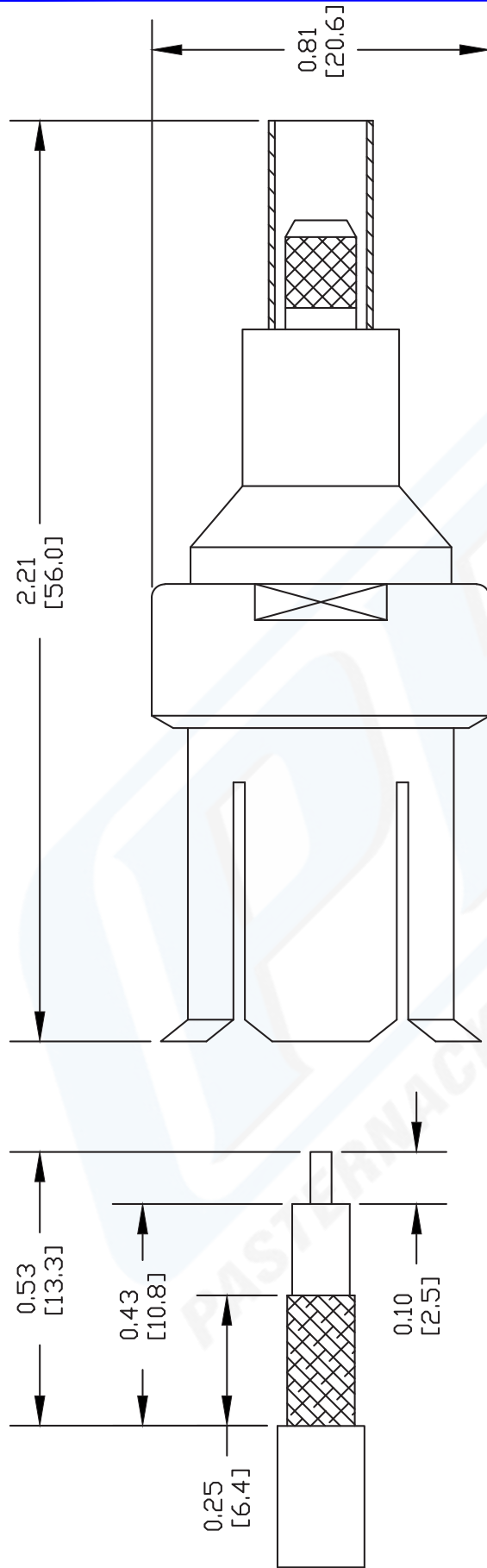
Click the following link (or enter part number in "SEARCH" on website) to obtain additional part information including price, inventory and certifications: [GR874 Sexless Connector Crimp/Solder Attachment For RG55, RG58, RG141, RG142, RG223, RG400 PE4233](http://www.pasternack.com/gr874-sexless-standard-rg55-rg58-rg141-rg142-rg223-rg400-connector-pe4233-p.aspx)

URL: <http://www.pasternack.com/gr874-sexless-standard-rg55-rg58-rg141-rg142-rg223-rg400-connector-pe4233-p.aspx>

The information contained in this document is accurate to the best of our knowledge and representative of the part described herein. It may be necessary to make modifications to the part and/or the documentation of the part, in order to implement improvements. Pasternack reserves the right to make such changes as required. Unless otherwise stated, all specifications are nominal.

# PE4233 CAD Drawing

GR874 Sexless Connector Crimp/Solder Attachment For  
RG55, RG58, RG141, RG142, RG223, RG400



STRIPPING DIMENSIONS

CRIMP SIZE REQUIRED

CONTACT: SOLDER  
FERRULE: .213" HEX CRIMP TOOL



**PASTERNAK®**  
Pasternack Enterprises, Inc.  
P.O. Box 16759 | Irvine | CA | 92623  
Phone: (949) 261-1920 | Fax: (949) 261-7451  
Website: [www.pasternack.com](http://www.pasternack.com) | E-Mail: [sales@pasternack.com](mailto:sales@pasternack.com)

DWG TITLE

**PE4233**

NOTES:

1. UNLESS OTHERWISE SPECIFIED ALL DIMENSIONS ARE NOMINAL.
2. ALL SPECIFICATIONS ARE SUBJECT TO CHANGE WITHOUT NOTICE AT ANY TIME.
3. DIMENSIONS ARE IN INCHES [mm].
4. FITS MIL-C-17 AND EQUIVALENT CABLES.

REV. -

FSCM NO. 53919

CAD FILE 042309

SCALE N/A

SIZE A

147