

Pulse Transformer

EP18272GH

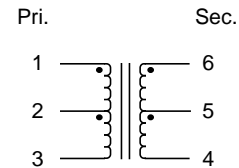
- 500mW Pulse Transformer •
- 1500 Vrms Isolation •
- Package in Tubes. Tape and Reel optional •

Electrical Parameters @ 25° C

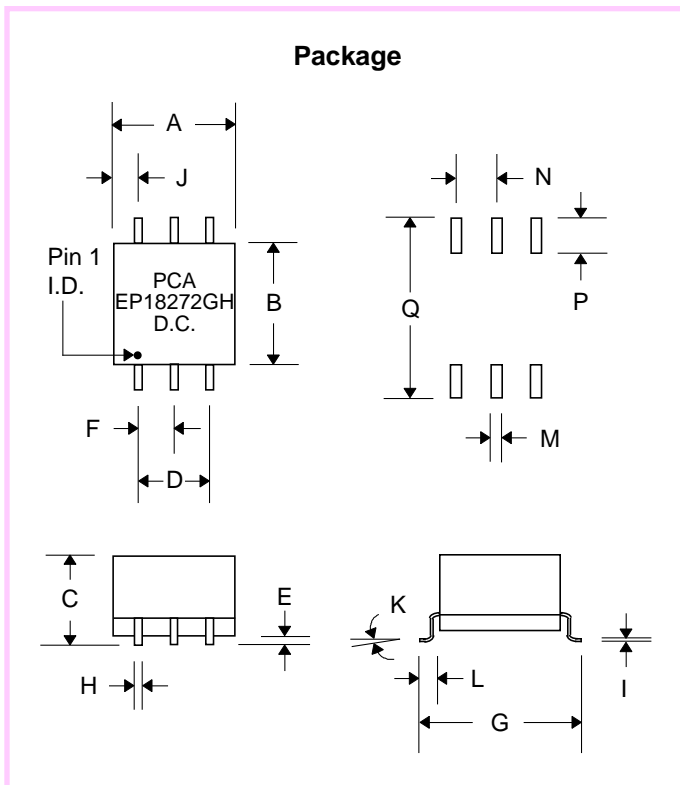
Primary Sine Wave OCL (mH) ⁽¹⁾	Interwinding Capacitance (pF Max.) ⁽¹⁾	Leakage Inductance (μH Max.) ^(1 & 2)	Rise Time (nS Max.)	Primary ET Constant (V-μS Min.)	Turns Ratio (±5%)		DCR (Max.)
					Pri.	Sec.	
Pins 1-3	Pri. to Sec.	Pins 1-3	Pins 1-3	Pins 1-3	Pri.	Sec.	Pins 1-3 & 6-4
0.2	14	0.2	3.5	4.0	1CT	1CT	0.7

- Notes:** 1) Measured @ 100 KHz, 0.1Vrms.
2) Measured @ pins 1-3 with pins 6-5-4 shorted.

Schematic



Package



Dimensions

Dim.	(Inches)			(Millimeters)		
	Min.	Max.	Nom.	Min.	Max.	Nom.
A	.290	.310		7.36	7.88	
B	.290	.310		7.36	7.88	
C	.190	.210		4.82	5.33	
D	.200	Typ.		5.08	Typ.	
E	.010	.020		.254	.508	
F	.100	Typ.		2.54	Typ.	
G	.400	.420		10.16	10.67	
H	.018	.022		.458	.559	
I	.010	Typ.		.254	Typ.	
J	.050	Typ.		1.27	Typ.	
K	0°	8°		0°	8°	
L	.025	.045		.636	1.14	
M			.030			.762
N			.100			2.54
P			.090			2.29
Q			.470			11.94