

Programmable, Chopper-Stabilized, Two Wire Hall-Effect Switches

Features and Benefits

- High speed, 4-phase chopper stabilization
 - Low switchpoint drift throughout temperature range
 - Low sensitivity to thermal and mechanical stresses
- On-chip protection
 - Supply transient protection
 - Reverse battery protection
- On-board voltage regulator
 - 3.0 to 24 V operation
- Solid-state reliability
- Robust EMC and ESD performance
- Field programmable for optimized switchpoints
- Industry leading ISO 7637-2 performance through use of proprietary, 40-V clamping structure

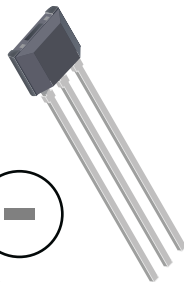
Packages

3-pin SOT23-W
2 mm × 3 mm × 1 mm
(suffix LH)



Approximate footprint

3-pin ultramini SIP
1.5 mm × 4 mm × 3 mm
(suffix UA)



Description

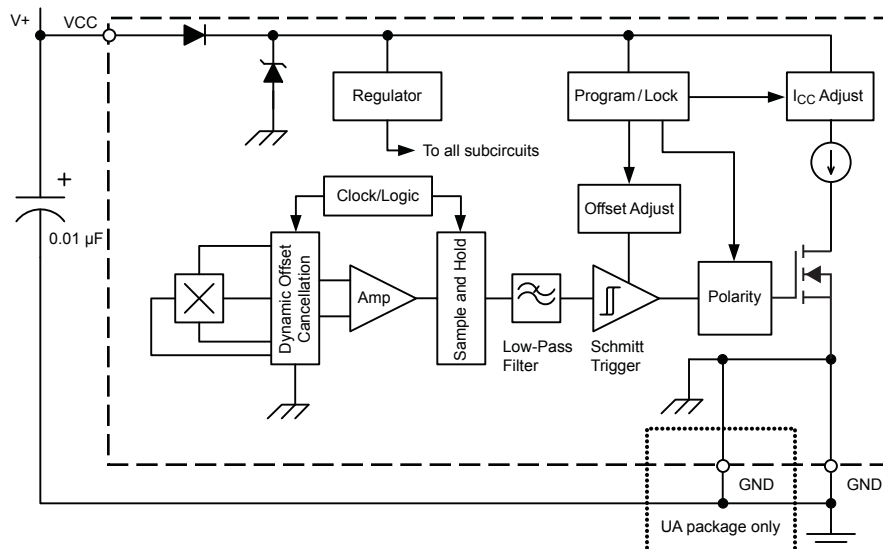
The A1190, A1192, and A1193 comprise a family of two-wire, unipolar, Hall-effect switches, which can be trimmed by the user at end-of-line to optimize magnetic switchpoint accuracy in the application. These devices are produced on the Allegro® advanced BiCMOS wafer fabrication process, which implements a patented high frequency, 4-phase, chopper-stabilization technique. This technique achieves magnetic stability over the full operating temperature range, and eliminates offsets inherent in devices with a single Hall element that are exposed to harsh application environments.

The A119x family has a number of automotive applications. These include sensing seat track position, seat belt buckle presence, hood/trunk latching, and shift selector position.

Two-wire unipolar switches are particularly advantageous in cost-sensitive applications because they require one less wire for operation versus the more traditional open-collector output switches. Additionally, the system designer inherently gains diagnostics because there is always output current flowing, which should be in either of two narrow ranges. Any current level not within these ranges indicates a fault condition.

All family members are offered in two package styles. The LH is a SOT-23W style, miniature, low profile package for surface-mount applications. The UA is a 3-pin, ultra-mini, single inline package (SIP) for through-hole mounting. Both packages are lead (Pb) free, with 100% matte tin leadframe plating.

Functional Block Diagram



Selection Guide

Part Number	Package	Packing ¹	Output (I_{CC}) in South Polarity Field	Supply Current at $I_{CC(L)}$ (mA)	Magnetic Operate Point, B_{OP} (G)
A1190LLHLT-T ²	LH (Surface mount)	7-in. reel, 3000 pieces/reel	Low	2 to 5	10 to 200
A1190LLHLX-T	LH (Surface mount)	13-in. reel, 10 000 pieces/reel			
A1190LUA-T ³	UA (Through hole)	Bulk, 500 pieces/bag			
A1192LLHLT-T ²	LH (Surface mount)	7-in. reel, 3000 pieces/reel	Low	5 to 6.9	
A1192LLHLX-T	LH (Surface mount)	13-in. reel, 10 000 pieces/reel			
A1192LUA-T ³	UA (Through hole)	Bulk, 500 pieces/bag			
A1193LLHLT-T ²	LH (Surface mount)	7-in. reel, 3000 pieces/reel	High		
A1193LLHLX-T	LH (Surface mount)	13-in. reel, 10 000 pieces/reel			
A1193LUA-T ³	UA (Through hole)	Bulk, 500 pieces/bag			

¹Contact Allegro® for additional packing options.

²These variants available only through authorized distributors.

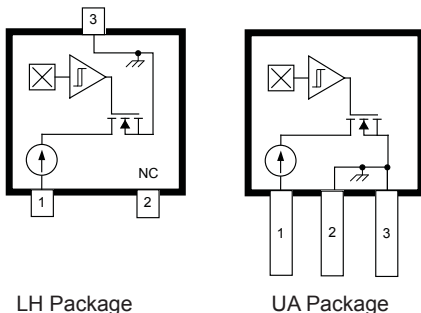
³Contact factory for availability.



Absolute Maximum Ratings

Characteristic	Symbol	Notes	Rating	Unit
Forward Supply Voltage	V_{CC}		28	V
Reverse Supply Voltage	V_{RCC}		-18	V
Magnetic Flux Density	B		Unlimited	G
Operating Ambient Temperature	T_A	Range L	-40 to 150	°C
Maximum Junction Temperature	$T_J(max)$		165	°C
Storage Temperature	T_{stg}		-65 to 170	°C

Pin-out Diagrams



Terminal List Table

Number	Name		Function
	LH package	UA package	
1	VCC	VCC	Connects power supply to chip; used to apply programming signal
2	NC	GND	LH package: no connection UA package: ground terminal
3	GND	GND	Ground terminal

ELECTRICAL CHARACTERISTICS Valid at $T_A = -40^\circ\text{C}$ to 150°C , $T_J < T_{J(\text{max})}$, $C_{\text{BYP}} = 0.01 \mu\text{F}$, through operating supply voltage range; unless otherwise noted

Characteristics	Symbol	Test Conditions		Min.	Typ.	Max.	Unit
Supply Voltage ^{1,2}	V_{CC}	Operating, $T_J \leq 165^\circ\text{C}$		3.0	–	24	V
Supply Current	$I_{\text{CC(L)}}$	A1190	$B > B_{\text{OP}}$	2.0	–	5.0	mA
		A1192	$B > B_{\text{OP}}$	5	–	6.9	mA
		A1193	$B < B_{\text{RP}}$	5	–	6.9	mA
	$I_{\text{CC(H)}}$	A1190, A1192	$B < B_{\text{RP}}$	12	–	17	mA
		A1193	$B > B_{\text{OP}}$	12	–	17	mA
Supply Zener Clamp Voltage	$V_{\text{Z(sup)}}$	$I_{\text{CC}} = I_{\text{CC(L)(max)}} + 3 \text{ mA}$, $T_A = 25^\circ\text{C}$		28	–	–	V
Supply Zener Clamp Current	$I_{\text{Z(sup)}}$	$V_{\text{Z(sup)}} = 28 \text{ V}$		–	–	$I_{\text{CC(L)(max)}} + 3 \text{ mA}$	mA
Reverse Supply Current	I_{RCC}	$V_{\text{RCC}} = -18 \text{ V}$		–	–	-1.6	mA
Output Slew Rate ³	di/dt	No bypass capacitor, capacitance of probe $C_S = 20 \text{ pF}$		–	90	–	mA/ μs
Chopping Frequency	f_C			–	700	–	kHz
Power-Up Time ^{2,4,5}	t_{on}	A1190, A1192	$C_{\text{BYP}} = 0.01 \mu\text{F}$, $B > B_{\text{OP}} + 10 \text{ G}$	–	–	25	μs
		A1193	$C_{\text{BYP}} = 0.01 \mu\text{F}$, $B < B_{\text{RP}} - 10 \text{ G}$	–	–	25	μs
Power-Up State ^{6,7}	POS	$t_{\text{on}} < t_{\text{on(max)}}$, V_{CC} slew rate $> 25 \text{ mV}/\mu\text{s}$		–	$I_{\text{CC(H)}}$	–	–

¹ V_{CC} represents the generated voltage between the VCC pin and the GND pin.

²The V_{CC} slew rate must exceed 600 mV/ms from 0 to 3 V. A slower slew rate through this range can affect device performance.

³Measured without bypass capacitor between VCC pin and the GND pin. Use of a bypass capacitor results in slower current change.

⁴Power-Up Time is measured without and with a bypass capacitor of 0.01 μF . Adding a larger bypass capacitor would cause longer Power-Up Time.

⁵Guaranteed by characterization and design.

⁶Power-Up State as defined is true only with a V_{CC} slew rate of 25 mV/ μs or greater.

⁷For $t > t_{\text{on}}$ and $B_{\text{RP}} < B < B_{\text{OP}}$, Power-Up State is not defined.

MAGNETIC CHARACTERISTICS¹ Valid at $T_A = -40^\circ\text{C}$ to 150°C , $T_J \leq T_{J(\text{max})}$; unless otherwise noted

Characteristics	Symbol	Test Conditions	Min.	Typ.	Max.	Unit ²
Initial Operate Point	$B_{\text{OP(init)}}$		–	-14	10	G
Programmable Magnetic Operating Point	B_{OP}	$T_A = 25^\circ\text{C}$	10	–	200	G
Average Magnetic Step Size ³	STEP_{BOP}	$T_A = 25^\circ\text{C}$, $V_{\text{CC}} = 5 \text{ V}$	3	4.8	7.5	G
Switchpoint Temperature Drift	ΔB_{OP}		–	± 20	–	G
Hysteresis	B_{HYS}		5	–	30	G

¹Relative values of B use the algebraic convention, where positive values indicate south magnetic polarity, and negative values indicate north magnetic polarity; therefore greater B values indicate a stronger south polarity field (or a weaker north polarity field, if present).

²1 G (gauss) = 0.1 mT (millitesla).

³ STEP_{BOP} is a calculated average from the cumulative programmed bits.

PROGRAMMABLE PARAMETERS

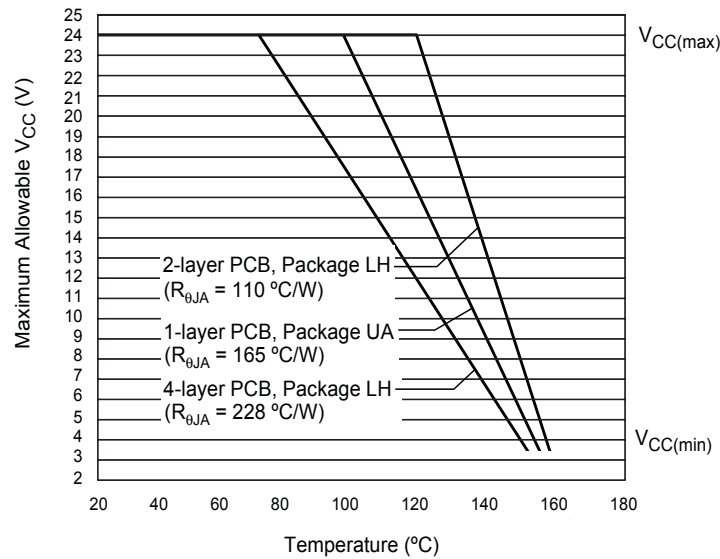
Name	Functional Description	Quantity of Bits
B_{OP} Trim	Fine trim of Programmable Magnetic Operating Point	6
Programming Lock	Lock access to programming	1

Thermal Characteristics may require derating at maximum conditions, see application information

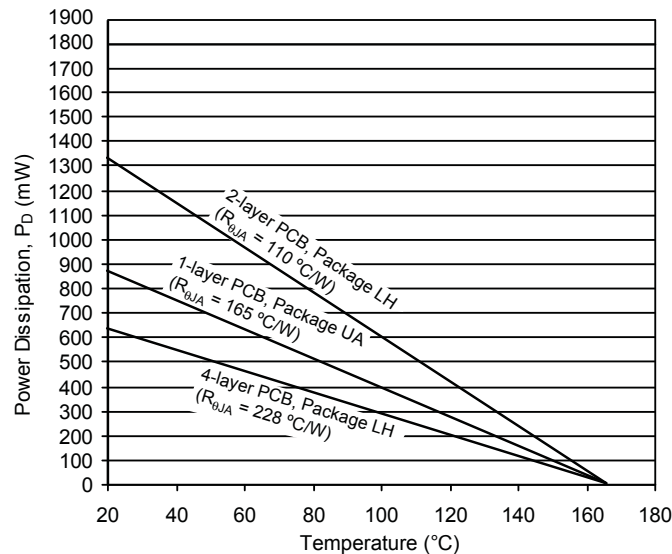
Characteristic	Symbol	Test Conditions*	Value	Unit
Package Thermal Resistance	$R_{\theta JA}$	Package LH, on 4-layer PCB based on JEDEC standard	228	°C/W
		Package LH, on 2-layer PCB with 0.463 in. ² of copper area each side	110	°C/W
		Package UA, on 1-layer PCB with copper limited to solder pads	165	°C/W

*Additional thermal information available on the Allegro website

Power Derating Curve

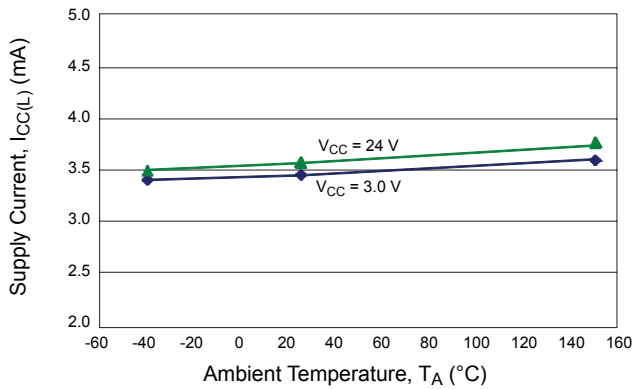


Power Dissipation versus Ambient Temperature

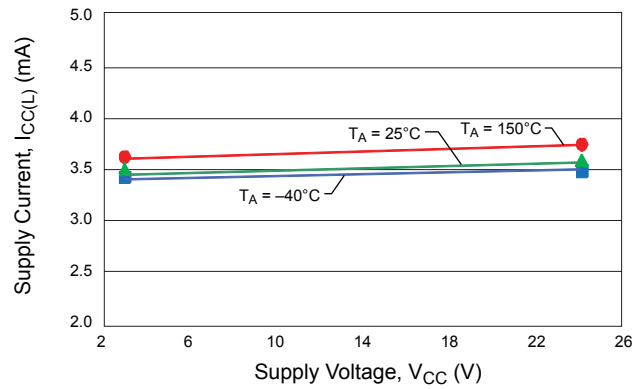


Characteristic Performance

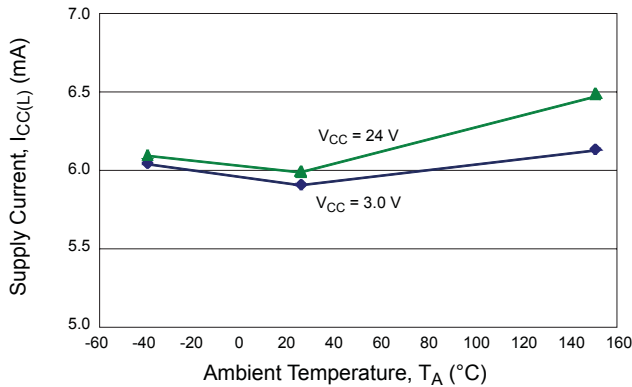
**A1190
Average Supply Current (Low) versus Temperature**



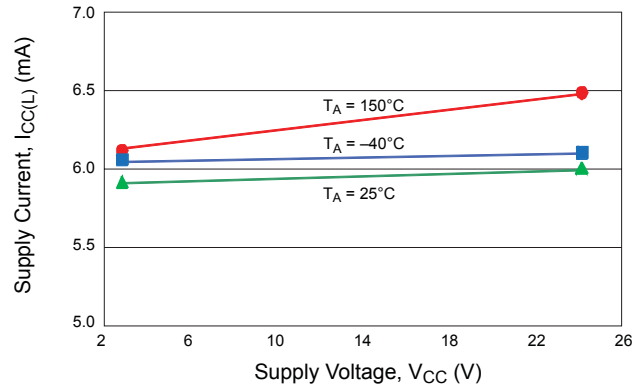
**A1190
Average Supply Current (Low) versus Supply Voltage**



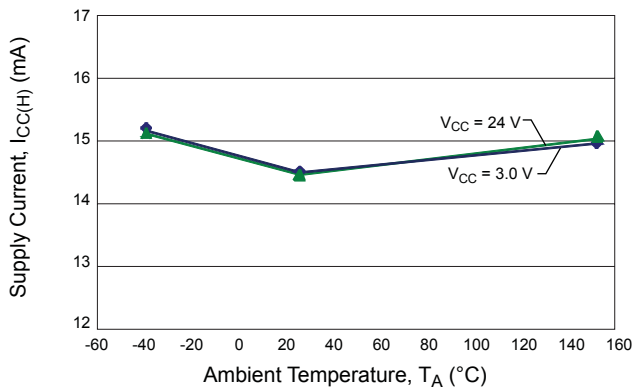
**A1192 and A1193
Average Supply Current (Low) versus Temperature**



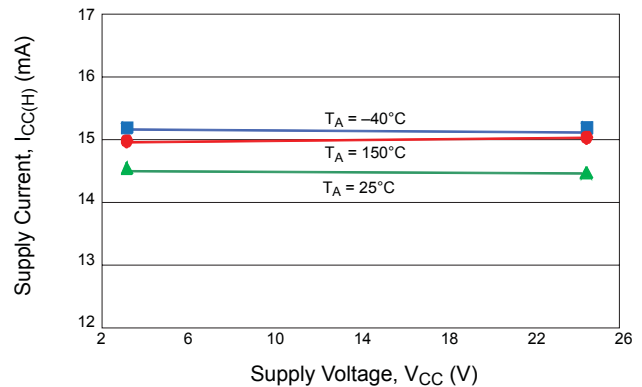
**A1192 and A1193
Average Supply Current (Low) versus Supply Voltage**



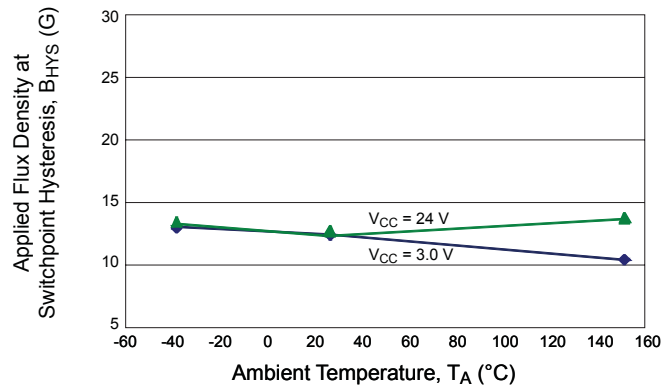
**A1190/A1192/A1193
Average Supply Current (High) versus Temperature**



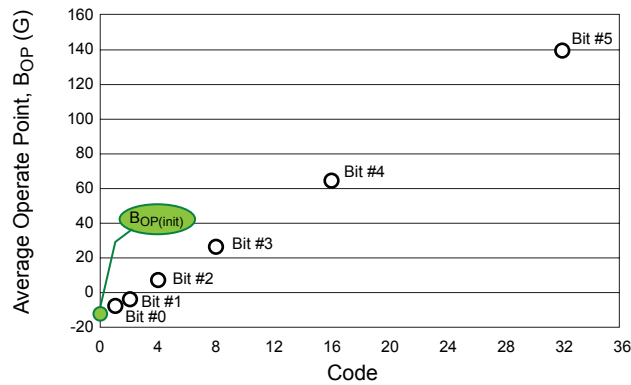
**A1190/A1192/A1193
Average Supply Current (High) versus Supply Voltage**



A1190/A1192/A1193
Average Switchpoint Hysteresis versus Temperature



A1190/A1192/A1193
Average Operate Point versus Code



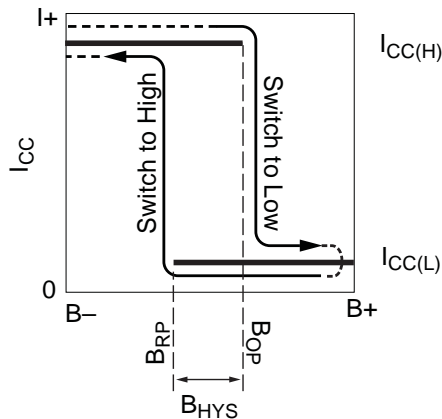
Functional Description

The A1190 and A1192 output, I_{CC} , switches low after the magnetic field at the Hall sensor IC exceeds the operate point threshold, B_{OP} . When the magnetic field is reduced to below the release point threshold, B_{RP} , the device output goes high. This is shown in figure 1, panel A.

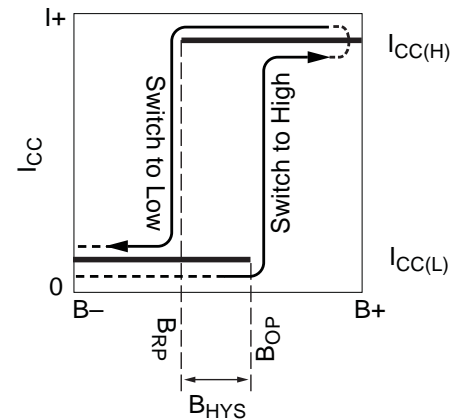
In the case of the reverse output polarity, as in the A1193, the device output switches high after the magnetic field at the Hall

sensor IC exceeds the operate point threshold, B_{OP} . When the magnetic field is reduced to below the release point threshold, B_{RP} , the device output goes low (panel B).

The difference between the magnetic operate and release points is called the hysteresis of the device, B_{HYS} . This built-in hysteresis allows clean switching of the output even in the presence of external mechanical vibration and electrical noise.



(A) Hysteresis curve for A1190 and A1192



(B) Hysteresis curve for A1193

Figure 1. Alternative switching behaviors are available in the A119x device family. On the horizontal axis, the B+ direction indicates increasing south polarity magnetic field strength, and the B- direction indicates decreasing south polarity field strength (including the case of increasing north polarity).

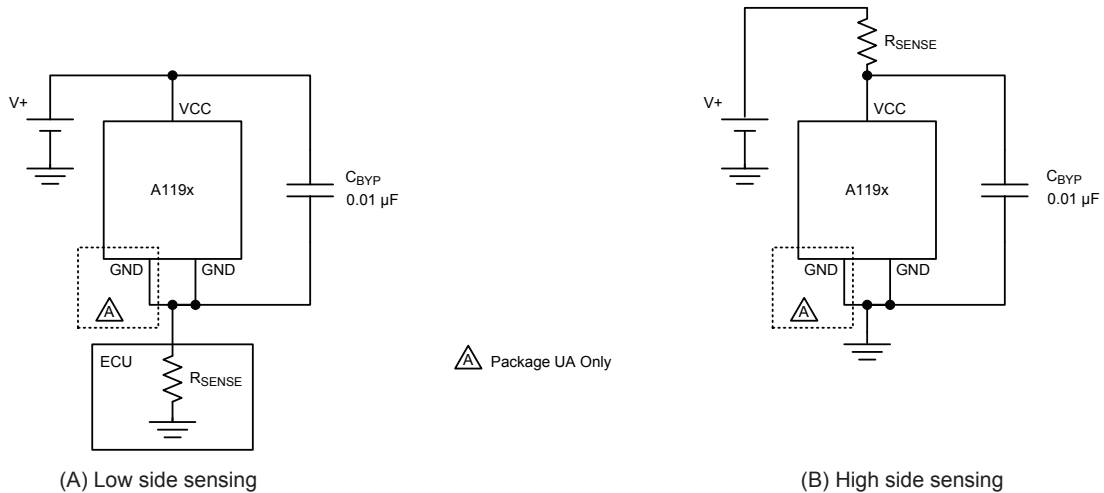


Figure 2. Typical application circuits

Chopper Stabilization Technique

When using Hall-effect technology, a limiting factor for switchpoint accuracy is the small signal voltage developed across the Hall element. This voltage is disproportionately small relative to the offset that can be produced at the output of the Hall sensor IC. This makes it difficult to process the signal while maintaining an accurate, reliable output over the specified operating temperature and voltage ranges. Chopper stabilization is a unique approach used to minimize Hall offset on the chip. The patented Allegro technique, namely Dynamic Quadrature Offset Cancellation, removes key sources of the output drift induced by thermal and mechanical stresses. This offset reduction technique is based on a signal modulation-demodulation process. The undesired offset signal is separated from the magnetic field-induced signal in the frequency domain, through modulation. The subsequent demodulation acts as a modulation process for the offset, causing the magnetic field-induced signal to recover

its original spectrum at base band, while the DC offset becomes a high-frequency signal. The magnetic-sourced signal then can pass through a low-pass filter, while the modulated DC offset is suppressed. The chopper stabilization technique uses a 350 kHz high frequency clock. For demodulation process, a sample and hold technique is used, where the sampling is performed at twice the chopper frequency. This high-frequency operation allows a greater sampling rate, which results in higher accuracy and faster signal-processing capability. This approach desensitizes the chip to the effects of thermal and mechanical stresses, and produces devices that have extremely stable quiescent Hall output voltages and precise recoverability after temperature cycling. This technique is made possible through the use of a BiCMOS process, which allows the use of low-offset, low-noise amplifiers in combination with high-density logic integration and sample-and-hold circuits.

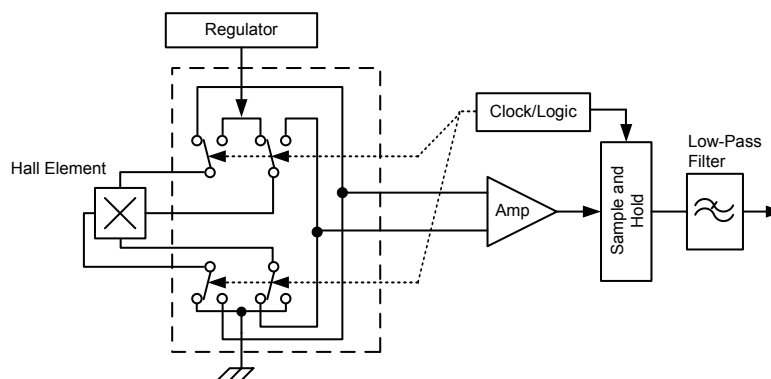


Figure 3. Chopper stabilization circuit (Dynamic Quadrature Offset Cancellation)

Programming Guidelines

Overview

Programming is accomplished by sending a series of input voltage pulses serially through the VCC (supply) pin of the device. A unique combination of different voltage level pulses controls the internal programming logic of the device to select a desired programmable parameter and change its value. There are three voltage levels that must be taken into account when programming. These levels are referred to as *high* (V_{PH}), *mid* (V_{PM}), and *low* (V_{PL}) (see figure 1 and table 1).

The A119x family features two programmable modes, Try mode and Blow mode.

- In Try mode, programmable parameter values are set and measured. A parameter value is stored temporarily, and reset after cycling the supply voltage.
- In Blow mode, the value of a programmable parameter may be permanently set by blowing solid-state fuses internal to the device. Device locking is also accomplished in this mode.

The programming sequence is designed to help prevent the device from being programmed accidentally; for example, as a result of noise on the supply line. Although any programmable variable power supply can be used to generate the pulse waveforms, Allegro highly recommends using the Allegro Sensor IC Evaluation Kit, available on the Allegro website On-line Store. The manual for that kit is available for download free of charge, and provides additional information on programming these devices.

Definition of Terms

Register. The section of the programming logic that controls the choice of programmable modes and parameters.

Bit Field. The internal fuses unique to each register, represented as a binary number. Changing the bit field selection in a particular register causes its programmable parameter to change, based on the internal programming logic.

Key. A series of V_{PM} voltage pulses used to select a register or mode.

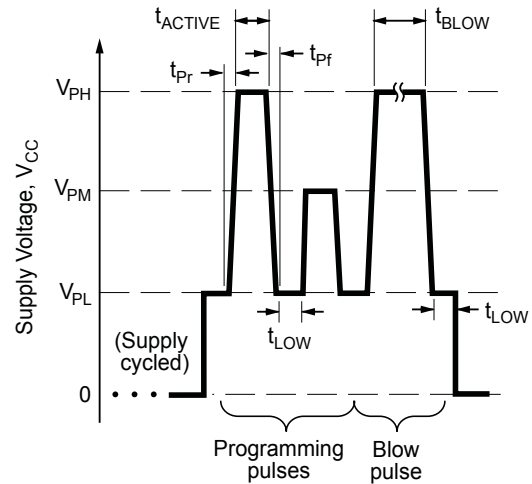


Figure 4. Programming pulse definition (see table 1)

Table 1. Programming Pulse Requirements, Protocol at $T_A = 25^\circ\text{C}$ (refer also to figure 4)

Characteristic	Symbol	Notes	Min.	Typ.	Max.	Unit
Programming Voltage	V_{PL}	Measured at the VCC pin.	4.5	5	5.5	V
	V_{PM}		12.5	–	14	V
	V_{PH}		21	–	27	V
Programming Current	I_{PP}	$t_{Pr} = 11 \mu\text{s}$, $V_{CC} = 5 \rightarrow 26 \text{ V}$, $C_{BLOW} = 0.1 \mu\text{F}$ (min). Minimum supply current required to ensure proper fuse blowing. C_{BLOW} must be connected between the VCC and GND pins during programming to provide the current necessary for fuse blowing.	175	–	–	mA
Pulse Width	t_{LOW}	Duration at V_{PL} separating pulses at V_{PM} or V_{PH} .	20	–	–	μs
	t_{ACTIVE}	Duration of pulses at V_{PM} or V_{PH} for key/code selection.	20	–	–	μs
	t_{BLOW}	Duration of pulse at V_{PH} for fuse blowing.	90	100	–	μs
Pulse Rise Time	t_{Pr}	V_{PL} to V_{PM} , or V_{PL} to V_{PH} .	5	–	100	μs
Pulse Fall Time	t_{Pf}	V_{PH} to V_{PL} , or V_{PM} to V_{PL} .	5	–	100	μs
Blow Pulse Slew Rate	SR_{BLOW}		375	–	–	mV/ μs

Code. The number used to identify the combination of fuses activated in a bit field, expressed as the decimal equivalent of the binary value. The LSB of a bit field is denoted as code 1, or bit 0.

Addressing. Setting the bit field code in a selected register by serially applying a pulse train through the VCC pin of the device. Each parameter can be measured during the addressing process, but the internal fuses must be blown before the programming code (and parameter value) becomes permanent.

Fuse Blowing. Applying a V_{PH} pulse of sufficient duration to permanently set an addressed bit by blowing a fuse internal to the device. Once a bit (fuse) has been blown, it cannot be reset.

Blow Pulse. A V_{PH} pulse of sufficient duration to blow the addressed fuse.

Cycling the Supply. Powering-down, and then powering-up the supply voltage. Cycling the supply is used to clear the programming settings in Try mode.

Programming Procedure

Programming involves selection of a register, a mode, and then setting values for parameters in the register for evaluation or for fuse blowing. Figure 10 provides an overview state diagram.

Register Selection Each programmable parameter can be accessed through a specific register. To select a register, a sequence of voltage pulses consisting of a V_{PH} pulse, a series of V_{PM} pulses, and a V_{PH} pulse (with no V_{CC} supply interruptions) must be applied serially to the VCC pin. The quantity of V_{PM} pulses is called the *key*, and uniquely identifies each register. The pulses for selection of register key 1, is shown in figure 5. No V_{PM} pulse is sent for key 0. The register selections are shown in table 2.

Mode Selection After register selection, the mode is selected, either Try or Blow mode. Try mode is selected by default. To select Blow mode, that mode selection key must be sent.

Table 2. Programming Logic Table

Register		Bit Field Address (Code)		Description
Key	Name	Binary Format [MSB → LSB]	Decimal Equivalent	
Try Mode				
0	B _{OP} Trim Up Counting	000000	0	Initial value (below minimum B _{OP}) (Try mode sequence starts with code 1); Code corresponds to bit field value (code 1 selects bit field value 000001)
		111111	63	Maximum selectable value (above maximum B _{OP})
1	B _{OP} Trim Down Counting	111111	0	Initial value (above maximum B _{OP}) (Try mode sequence starts with code 1); Code is automatically inverted (code 1 selects bit field value 111110)
		000000	63	Minimum selectable value (below minimum B _{OP})
7	Fuse Check	000111	7	Check integrity of all fuse bits versus low threshold
		001111	15	Check integrity of all fuse bits versus high threshold
Blow Mode				
0	B _{OP} Trim	000000	0	Initial value (below minimum B _{OP}); (Only allows selection of 1 bit per sequence)
		111111	63	Maximum selectable value (above maximum B _{OP}); (Only allows selection of 1 bit per sequence)
7	Programming Lock	001000	8	Locks out access to all registers except Fuse Check

Try Mode In Try mode, bit field addressing is accomplished by applying a series of V_{PM} pulses to the VCC pin of the device, as shown in figure 6. Each pulse increases the bit field value for the selected parameter, increasing by one on the falling edge of each additional V_{PM} pulse. When addressing the bit field in Try mode, the quantity of V_{PM} pulses is represented by a decimal number called the *code*. Addressing activates the corresponding fuse locations in the given bit field by increasing the binary value of an internal DAC, up to the maximum possible code. As the value of the bit field code increases, the value of the programmable parameter changes. Measurements can be taken after each V_{PM} pulse to determine if the required result for the programmable parameter has been reached. Cycling the supply voltage resets all the locations in the bit field that have un-blown fuses to their initial states.

When setting the B_{OP} Trim parameter, as an aid to programming, values can be traversed from low to high, or from high to low. To accommodate this direction selection, the value of the bit field (and code) defaults to the value 1, on the falling edge of the final register selection V_{PH} pulse (see figure 5). A complete example is provided in figure 11.

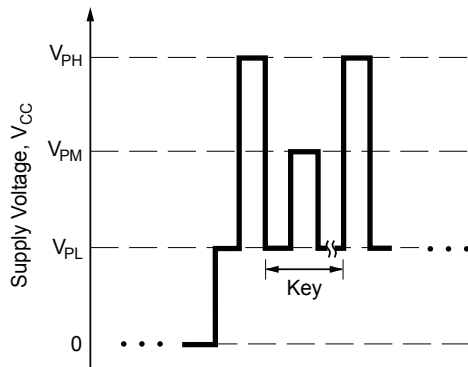


Figure 5. Register selection pulse sequence

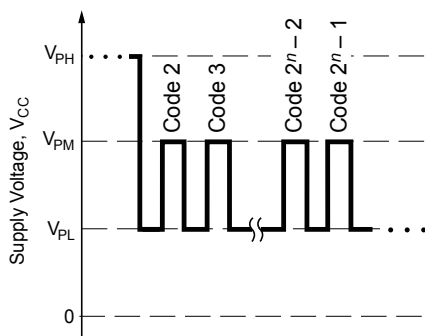


Figure 6. Try mode bit field addressing pulses

Blow Mode After the required code is determined for a given parameter, its value can be set permanently by blowing individual fuses in the appropriate register bit field. Blowing is accomplished by selecting the register, then the Blow mode selection key, followed by the appropriate bit field address, and ending the sequence with the Blow pulse. The Blow mode selection key is a sequence of nine V_{PM} pulses followed by one V_{PH} pulse. A complete example is provided in figure 12.

The Blow pulse consists of a V_{PH} pulse of sufficient duration, t_{BLOW} , to permanently set an addressed bit by blowing a fuse internal to the device. Due to power requirements, the fuse for each bit in the bit field must be blown individually. The A119x family built-in circuitry allows only one fuse at a time to be blown. During Blow mode, the bit field can be considered a “one-hot” shift register. Table 3 relates the quantity of V_{PM} pulses to the binary and decimal values for Blow mode bit field addressing. It should be noted that the simple relationship between the quantity of V_{PM} pulses and the corresponding code is:

$$2^n = \text{Code},$$

where n is the quantity of V_{PM} pulses. The bit field has an initial state of decimal code 0 (binary 000000).

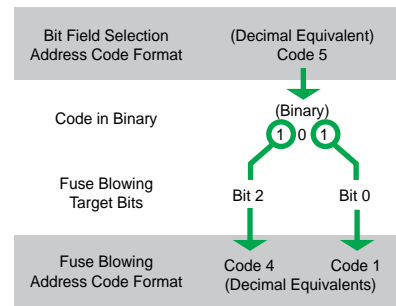


Figure 7. Example of code 5 broken into its binary components

Table 3. Blow Mode Bit Field Addressing

Quantity of V_{PM} Pulses	Binary Register Setting	Equivalent Code
1	00001	1
2	00010	2
3	00100	4
4	001000	8
5	010000	16
6	100000	32

To correctly address the fuses to be blown, the code representing the required parameter value must be translated into a binary number. For example, as shown in figure 7, decimal code 5 is equivalent to the binary number 101. Therefore bit 2 must be addressed and blown, the device power supply cycled, and then bit 0 must be addressed and blown. The order of blowing bits, however, is not important. Blowing bit 0 first, and then bit 2 is acceptable.

Note: After blowing, the programming is not reversible, even after cycling the supply power. Although a register bit field fuse cannot be reset after it is blown, additional bits within the same register can be blown at any time until the device is locked. For example, if bit 1 (binary 10) has been blown, it is still possible to blow bit 0. The end result would be binary 11 (decimal code 3).

Locking the Device

After the required code for each parameter is programmed, the device can be locked to prevent further programming of any parameters. To do so, perform the following steps:

1. Ensure that the C_{BLOW} capacitor is mounted.
2. Select the Programming Lock register (key 7).
3. Select Blow mode (key 9).
4. Address bit 3 (001000) by sending four V_{PM} pulses.
5. Send one Blow pulse, at I_{PP} and SR_{BLOW} , and sustain it for t_{BLOW} .
6. Delay for a t_{LOW} interval, then power-down.
7. Optionally check all fuses.

Fuse Checking

Incorporated in the A119x family is circuitry to simultaneously check the integrity of the fuse bits. The fuse checking feature is enabled by using the Fuse Check register (selection key 7), and while in Try mode, applying the codes shown in table 2. The register is only valid in Try mode and is available before or after the Programming Lock bit is set.

Setting the fuse threshold high checks that all blown fuses are properly blown. Setting fuse threshold low checks all un-blown fuses are properly intact. The supply current increases by $250 \mu\text{A}$ if a marginal fuse is detected. If all fuses are correctly blown or fully intact, there will be no change in supply current.

Additional Guidelines

The additional guidelines in this section should be followed to ensure the proper behavior of these devices:

- A $0.1 \mu\text{F}$ blowing capacitor, C_{BLOW} , must be mounted between the VCC pin and the GND pin during programming, to ensure enough current is available to blow fuses.
- The power supply used for programming must be capable of delivering at least V_{PH} and 175 mA.
- Be careful to observe the t_{LOW} delay time before powering down the device after blowing each bit.
- Lock the device (only after all other parameters have been programmed and validated) to prevent any further programming of the device.

B_{OP} Selection

Selecting B_{OP} should be done in two stages. First, Try mode should be used to adjust B_{OP} and monitor the output state. Then the optimum B_{OP} is set permanently using Blow mode.

Use the B_{OP} Trim Up Counting register to increase the B_{OP} selection by one Magnetic Step Size, Step_{BOP} , increment with each bit field pulse (see figure 8). Use the B_{OP} Trim Down Counting register to decrease the B_{OP} selection by one Step_{BOP} with each bit field pulse (see figure 9). As an aid to programming, when using down-counting method, the A119x automatically inverts the bit field selection (code 0 in down-counting sets the bit field value 111111, and the actual bit field value decreases until code 63 sets bit field value 000000).

Note that the release point, B_{RP} , is a value below B_{OP} . The difference is specified by the Hysteresis, B_{HYS} , which is not programmable.

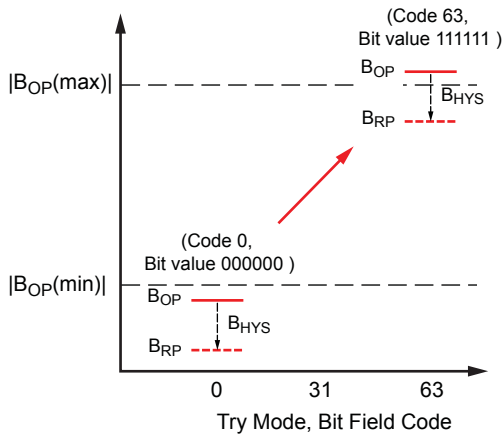


Figure 8. B_{OP} Selection Up Counting

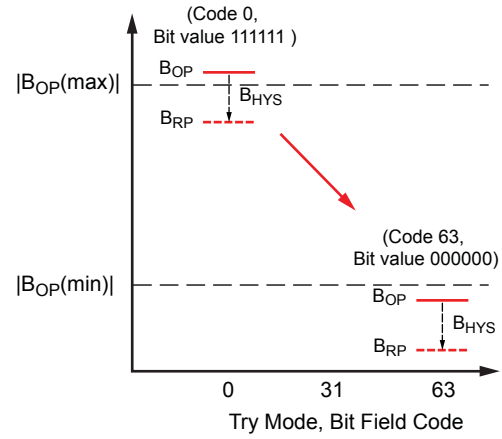


Figure 9. B_{OP} Selection Down Counting

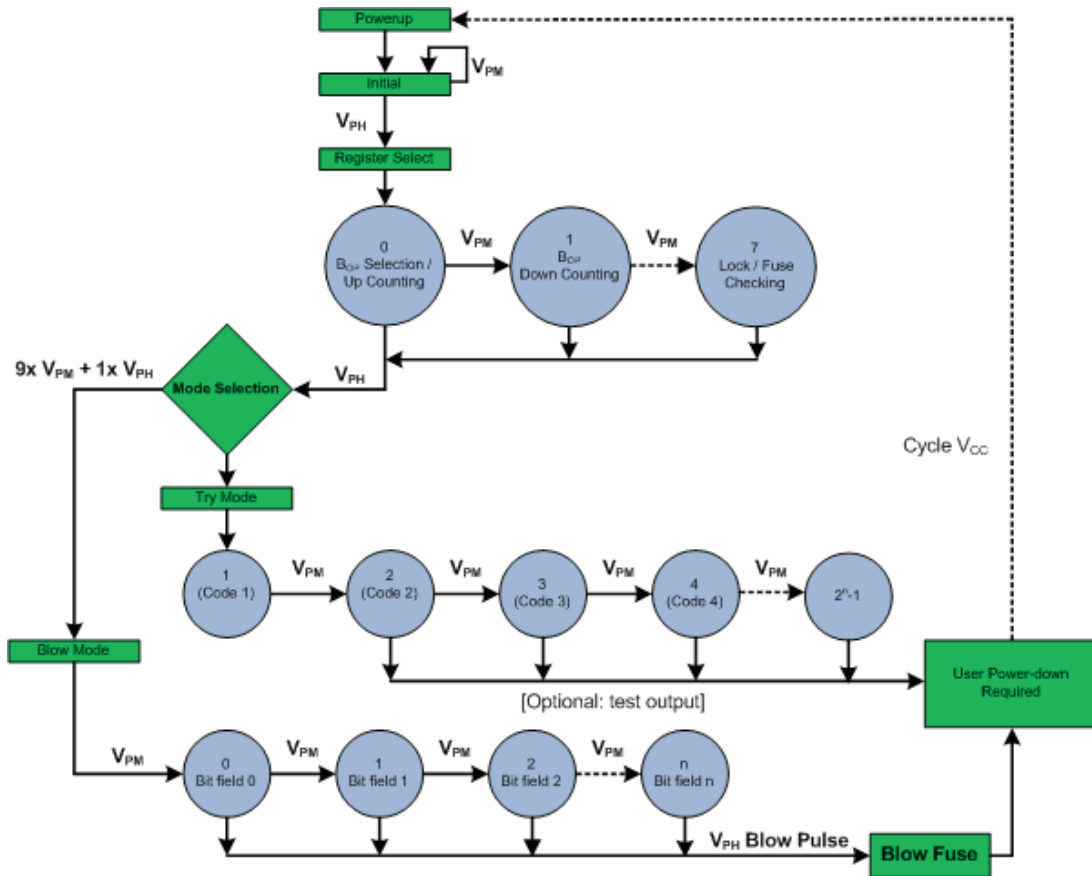


Figure 10. Programming state diagram



Figure 11. Example of Try mode pulse sequence, Register Key = B_{OP} selection down counting

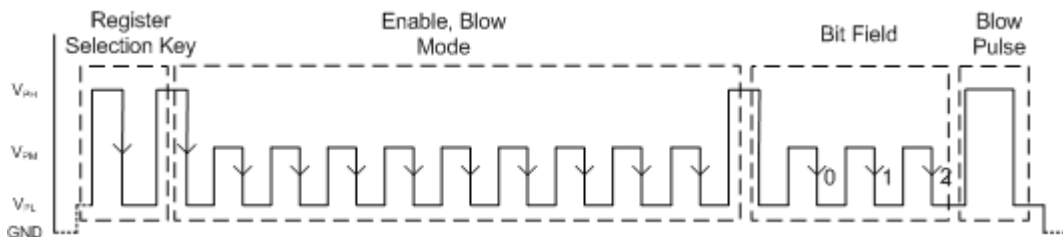


Figure 12. Example of Blow mode pulse sequence, Register Key = B_{OP} selection bit field 2 (code 4)

Power Derating

The device must be operated below the maximum junction temperature of the device, $T_J(\text{max})$. Under certain combinations of peak conditions, reliable operation may require derating supplied power or improving the heat dissipation properties of the application. This section presents a procedure for correlating factors affecting operating T_J . (Thermal data is also available on the Allegro MicroSystems Web site.)

The Package Thermal Resistance, $R_{\theta JA}$, is a figure of merit summarizing the ability of the application and the device to dissipate heat from the junction (die), through all paths to the ambient air. Its primary component is the Effective Thermal Conductivity, K , of the printed circuit board, including adjacent devices and traces. Radiation from the die through the device case, $R_{\theta JC}$, is relatively small component of $R_{\theta JA}$. Ambient air temperature, T_A , and air motion are significant external factors, damped by overmolding.

The effect of varying power levels (Power Dissipation, P_D), can be estimated. The following formulas represent the fundamental relationships used to estimate T_J , at P_D .

$$P_D = V_{IN} \times I_{IN}$$

$$\Delta T = P_D \times R_{\theta JA}$$

$$T_J = T_A + \Delta T$$

For example, given common conditions such as: $T_A = 25^\circ\text{C}$, $V_{CC} = 12\text{ V}$, $I_{CC} = 4\text{ mA}$, and $R_{\theta JA} = 140\text{ }^\circ\text{C/W}$, then:

$$P_D = V_{CC} \times I_{CC} = 12\text{ V} \times 4\text{ mA} = 48\text{ mW}$$

$$\Delta T = P_D \times R_{\theta JA} = 48\text{ mW} \times 140\text{ }^\circ\text{C/W} = 7^\circ\text{C}$$

$$T_J = T_A + \Delta T = 25^\circ\text{C} + 7^\circ\text{C} = 32^\circ\text{C}$$

A worst-case estimate, $P_D(\text{max})$, represents the maximum allowable power level ($V_{CC}(\text{max})$, $I_{CC}(\text{max})$), without exceeding $T_J(\text{max})$, at a selected $R_{\theta JA}$ and T_A .

Example: Reliability for V_{CC} at $T_A = 150^\circ\text{C}$, package UA, using a low-K PCB.

Observe the worst-case ratings for the device, specifically: $R_{\theta JA} = 165\text{ }^\circ\text{C/W}$, $T_J(\text{max}) = 165^\circ\text{C}$, $V_{CC}(\text{max}) = 24\text{ V}$, and $I_{CC}(\text{max}) = 17\text{ mA}$.

Calculate the maximum allowable power level, $P_D(\text{max})$. First, invert equation 3:

$$\Delta T_{\text{max}} = T_J(\text{max}) - T_A = 165^\circ\text{C} - 150^\circ\text{C} = 15^\circ\text{C}$$

This provides the allowable increase to T_J resulting from internal power dissipation. Then, invert equation 2:

$$P_D(\text{max}) = \Delta T_{\text{max}} \div R_{\theta JA} = 15^\circ\text{C} \div 165\text{ }^\circ\text{C/W} = 91\text{ mW}$$

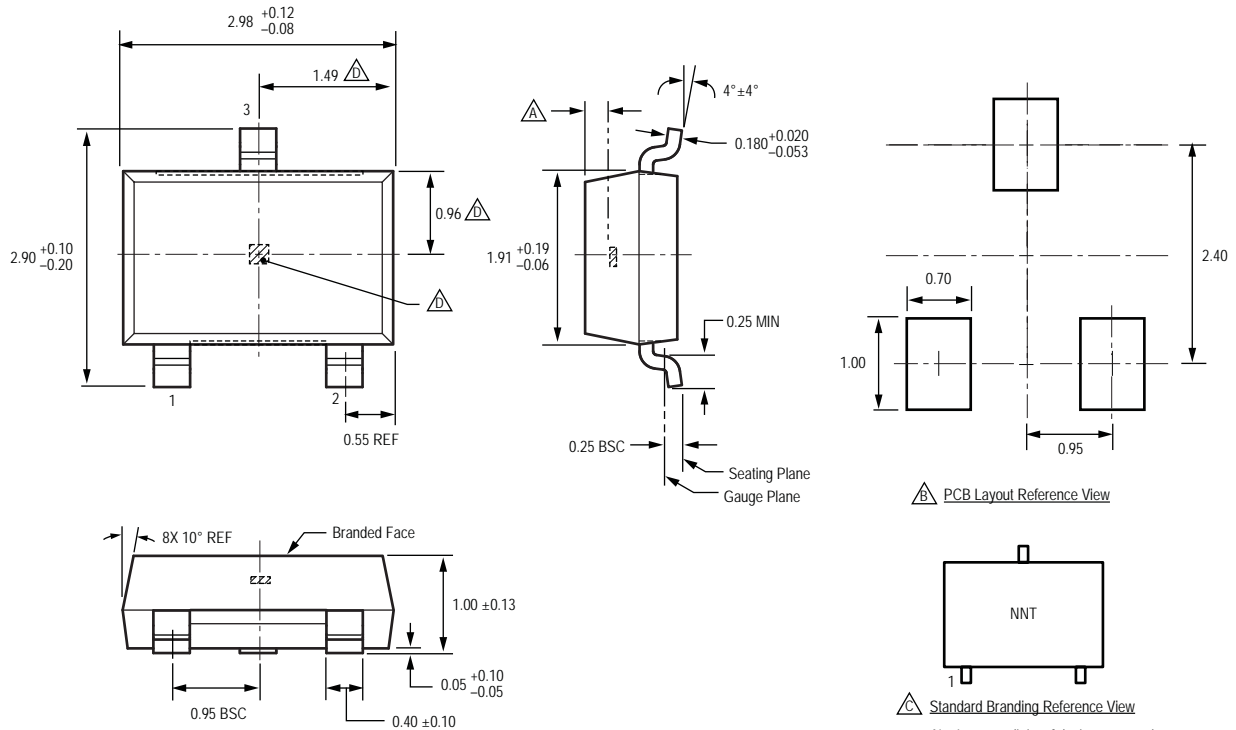
Finally, invert equation 1 with respect to voltage:

$$V_{CC(\text{est})} = P_D(\text{max}) \div I_{CC}(\text{max}) = 91\text{ mW} \div 17\text{ mA} = 5\text{ V}$$

The result indicates that, at T_A , the application and device can dissipate adequate amounts of heat at voltages $\leq V_{CC(\text{est})}$.

- (1) Compare $V_{CC(\text{est})}$ to $V_{CC}(\text{max})$. If $V_{CC(\text{est})} \leq V_{CC}(\text{max})$, then reliable operation between $V_{CC(\text{est})}$ and $V_{CC}(\text{max})$ requires enhanced $R_{\theta JA}$.
- (2) If $V_{CC(\text{est})} \geq V_{CC}(\text{max})$, then operation between $V_{CC(\text{est})}$ and $V_{CC}(\text{max})$ is reliable under these conditions.

Package LH, 3-Pin SOT23W



- For Reference Only; not for tooling use (reference DWG-2840)
 Dimensions in millimeters
 Dimensions exclusive of mold flash, gate burrs, and dambar protrusions
 Exact case and lead configuration at supplier discretion within limits shown
- △ Active Area Depth, 0.28 mm REF
 - △ Reference land pattern layout
 All pads a minimum of 0.20 mm from all adjacent pads; adjust as necessary to meet application process requirements and PCB layout tolerances
 - △ Branding scale and appearance at supplier discretion
 - △ Hall element, not to scale

△ PCB Layout Reference View
 △ Standard Branding Reference View
 N = Last two digits of device part number
 T = Temperature code

Revision History

Revision	Revision Date	Description of Revision
Rev. 3	November 17, 2011	Update product selection and V_{CC} , t_{on} , t_{BLOW} , and programming lock

Copyright ©2009-2011, Allegro MicroSystems, Inc.

Allegro MicroSystems, Inc. reserves the right to make, from time to time, such departures from the detail specifications as may be required to permit improvements in the performance, reliability, or manufacturability of its products. Before placing an order, the user is cautioned to verify that the information being relied upon is current.

Allegro's products are not to be used in life support devices or systems, if a failure of an Allegro product can reasonably be expected to cause the failure of that life support device or system, or to affect the safety or effectiveness of that device or system.

The information included herein is believed to be accurate and reliable. However, Allegro MicroSystems, Inc. assumes no responsibility for its use; nor for any infringement of patents or other rights of third parties which may result from its use.

For the latest version of this document, visit our website:

www.allegromicro.com

