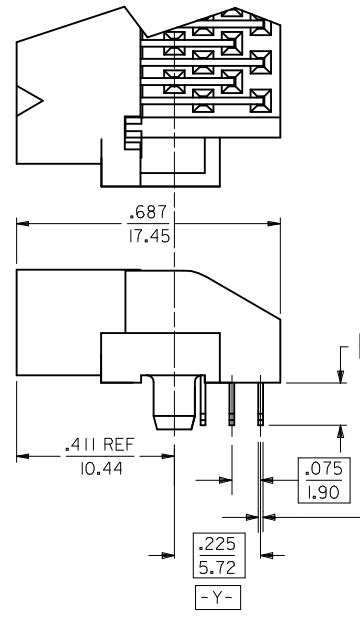
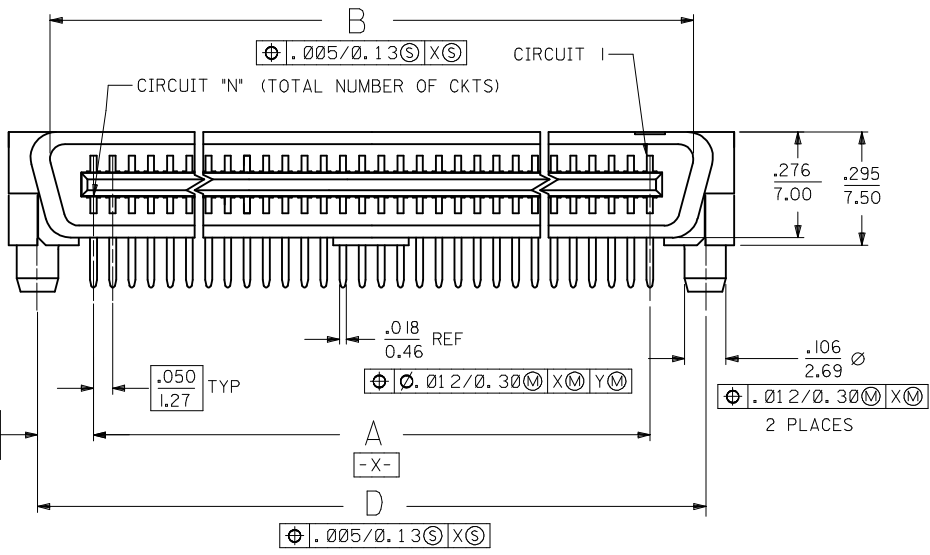
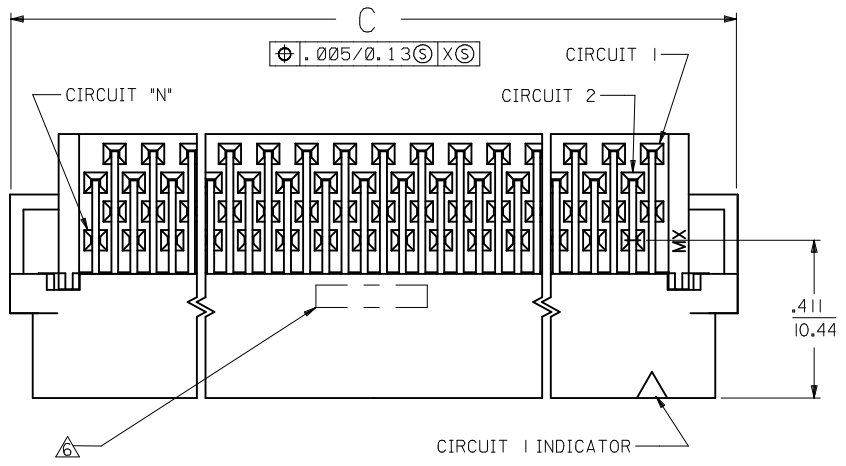
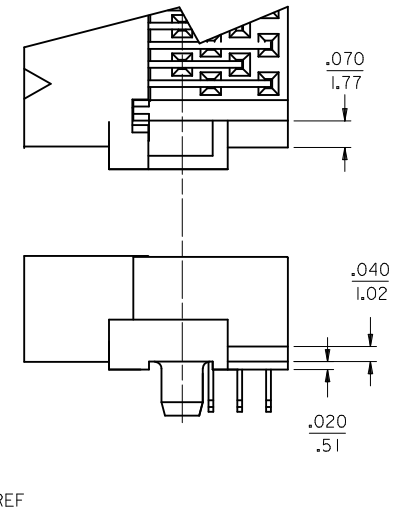


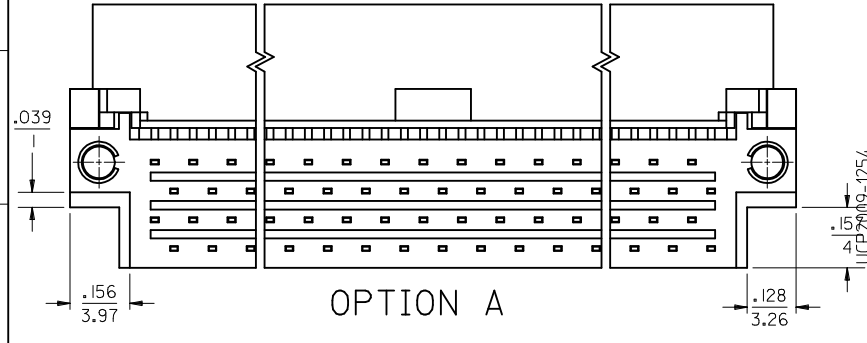
NOTES:  
 1. MATERIAL:  
 HOUSING: LIQUID CRYSTAL POLYMER (LCP), GLAS-FILLED, UL 94V-0,  
 COLOR: BLASK  
 TERMINALS: BRASS  
 2. FINISH:  
 TERMINAL: 0.76 MICROMETERS/30 MICROINCHES MINIMUM SELECTIVE GOLD  
 IN CONTACT AREA, 1.27 MICROMETERS/50 MICROINCHES MINIMUM  
 SELECTIVE TIN IN THE PC TAIL AREA; NICKEL UNDERPLATE OVERALL  
 3. ASSEMBLY MATES WITH MOLEX P/N SDA-71660-\*\*\*\*  
 4. CONFORMS TO PRODUCT SPEC: PS-71660  
 ⚠️ RECOMMENDED PC BOARD THICKNESS IS .062/1.60  
 ⚠️ FOUR DIGIT DATE CODE (WK,YR) EXAMPLE 26 96 LOCATED IN AREA SHOWN  
 ⚠️ TOOLING STATUS: "X" INDICATES NO TOOLING AVAILABLE  
 CONTACT FACTORY FOR FURTHER INFORMATION



END DETAIL  
 OPTION A  
 (BOTH ENDS)



END DETAIL  
 OPTION B  
 (BOTH ENDS)



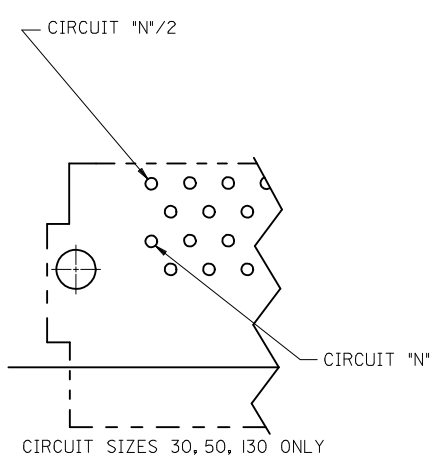
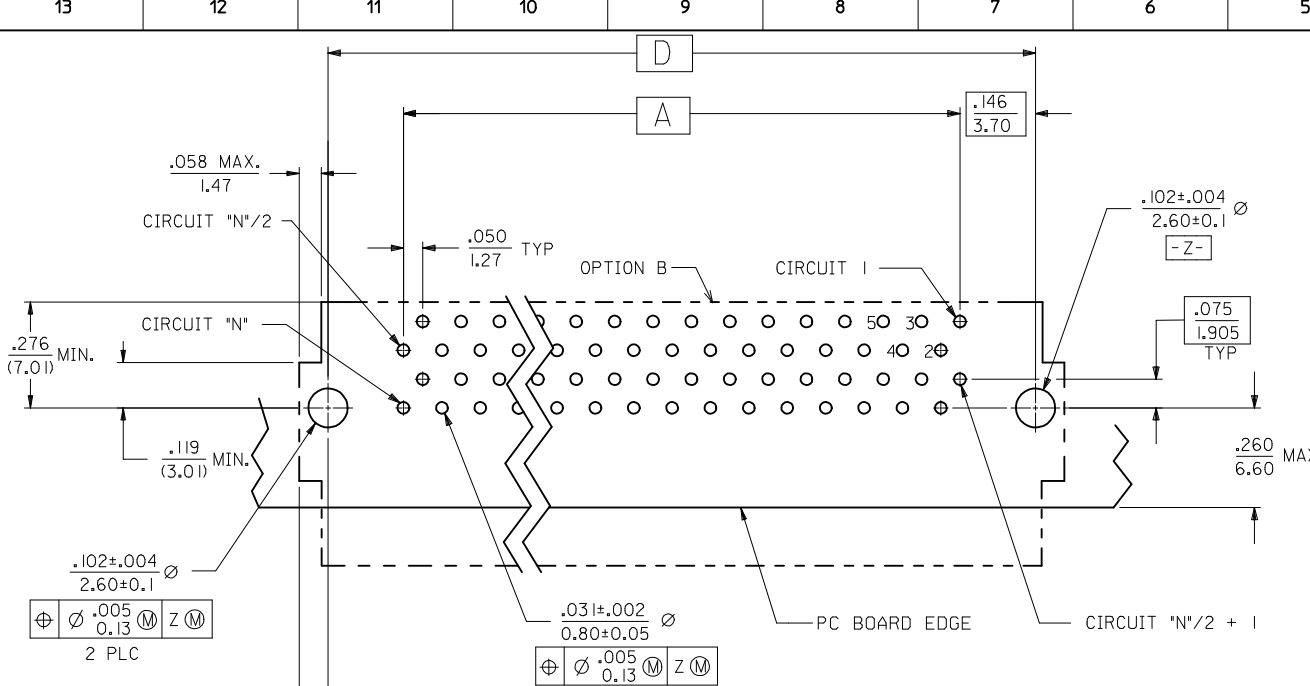
OPTION A

CHANGE MATERIAL	EC NO:	2008/12/19
	DRWING:SBARRA	2009/01/06
	CHKD:BBARKER	2009/01/06
	APPR:SMILLER	2009/01/06
REV	DESCRIPTION	
N		

QUALITY SYMBOLS	▽=0
	▽=0
GENERAL TOLERANCES (UNLESS SPECIFIED)	4 PLACES ± --- ± ---
	3 PLACES ± --- ± .010
	2 PLACES ± 0.25 ± ---
	1 PLACE ± --- ± ---
	ANGULAR ± 1/2°
DRAFT WHERE APPLICABLE MUST REMAIN WITHIN DIMENSIONS	SIZE C

DIMENSION STYLE		SCALE	DESIGN UNITS	THIRD ANGLE PROJECTION
IN/MM		4:1	INCH	
DRAWN BY	DATE	TITLE		
RAN	1993/02/23	SALES ASSEMBLY		
CHECKED BY	DATE	EBBI 50D RIGHT ANGLE		
RAN	1993/02/23	PLUG CONNECTOR		
APPROVED BY	DATE	MOLEX INCORPORATED		
CAB	1993/02/23	MATERIAL NO. SEE TABLE		
DOCUMENT NO.		SHEET NO.		
SDA-71661-2***		1 OF 2		

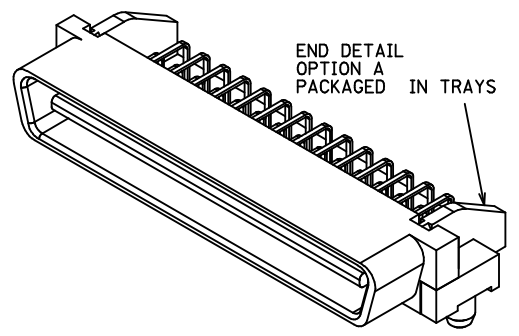
MATERIAL NO.		DOCUMENT NO.		SHEET NO.
SEE TABLE		SDA-71661-2***		1 OF 2
THIS DRAWING CONTAINS INFORMATION THAT IS PROPRIETARY TO MOLEX INCORPORATED AND SHOULD NOT BE USED WITHOUT WRITTEN PERMISSION				



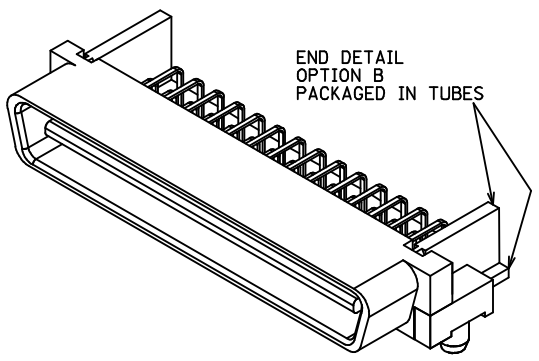
TRAY PACK  
PER SPEC.  
PK-70873-084\*

END DETAIL  
OPTION "A"

RECOMMENDED PC BOARD LAYOUT  
COMPONENT SIDE



50 CIRCUIT ASSEMBLY SHOWN



.125 (3.18)	3.491 (88.68)	3.642 (92.50)	3.426 (87.02)	3.200 (81.28)	130	7166 I-2430
	3.241 (82.33)	3.392 (86.15)	3.176 (80.67)	2.950 (74.93)	120	7166 I-2420
	2.741 (69.63)	2.892 (73.45)	2.676 (67.97)	2.450 (62.23)	100	7166 I-2400
	2.241 (56.93)	2.392 (60.75)	2.176 (55.27)	1.950 (49.53)	80	7166 I-2380
	1.941 (49.31)	2.092 (53.13)	1.875 (47.65)	1.650 (41.91)	68	7166 I-2368
	1.741 (44.23)	1.892 (48.05)	1.676 (42.57)	1.450 (36.83)	60	7166 I-2360
	1.491 (37.88)	1.642 (41.70)	1.426 (36.22)	1.200 (30.48)	50	7166 I-2350
	1.241 (31.53)	1.392 (35.35)	1.176 (29.87)	.950 (24.13)	40	7166 I-2340
	.991 (25.18)	1.142 (29.00)	.925 (23.52)	.700 (17.78)	30	7166 I-2330
	.110 (2.79)	3.491 (88.68)	3.642 (92.50)	3.426 (87.02)	3.200 (81.28)	130
3.241 (82.33)		3.392 (86.15)	3.176 (80.67)	2.950 (74.93)	120	7166 I-2120
2.741 (69.63)		2.892 (73.45)	2.676 (67.97)	2.450 (62.23)	100	7166 I-2100
2.241 (56.93)		2.392 (60.75)	2.176 (55.27)	1.950 (49.53)	80	7166 I-2080
1.941 (49.31)		2.092 (53.13)	1.875 (47.65)	1.650 (41.91)	68	7166 I-2068
1.741 (44.23)		1.892 (48.05)	1.676 (42.57)	1.450 (36.83)	60	7166 I-2060
1.491 (37.88)		1.642 (41.70)	1.426 (36.22)	1.200 (30.48)	50	7166 I-2050
1.241 (31.53)		1.392 (35.35)	1.176 (29.87)	.950 (24.13)	40	7166 I-2040
.991 (25.18)		1.142 (29.00)	.925 (23.52)	.700 (17.78)	30	7166 I-2030
E		D	C	B	A	CKT ("N")

CHANGE MATERIAL EC NO: UCP2009-1254 DRWINSI BARRA 2008/12/19 CHKD:BBARKER 2009/01/06 APPR:SMILLER 2009/01/06	DESCRIPTION	REV
		N

QUALITY SYMBOLS	GENERAL TOLERANCES (UNLESS SPECIFIED)
▽=0	mm INCH
▽=0	4 PLACES ± --- ± ---
	3 PLACES ± --- ± .010
	2 PLACES ± 0.25 ± ---
	1 PLACE ± --- ± ---
	ANGULAR ± 1/2°
	DRAFT WHERE APPLICABLE MUST REMAIN WITHIN DIMENSIONS

DIMENSION STYLE		SCALE	DESIGN UNITS	THIRD ANGLE PROJECTION
IN/MM		4:1	INCH	
DRAWN BY	DATE	TITLE		
RAN	1993/02/23	SALES ASSEMBLY		
CHECKED BY	DATE	EBBI 50D RIGHT ANGLE		
RAN	1993/02/23	PLUG CONNECTOR		
APPROVED BY	DATE	MOLEX INCORPORATED		
CAB	1993/02/23	MATERIAL NO. SEE TABLE		
DOCUMENT NO.		SHEET NO.		
SDA-71661-2***		2 OF 2		

THIS DRAWING CONTAINS INFORMATION THAT IS PROPRIETARY TO MOLEX INCORPORATED AND SHOULD NOT BE USED WITHOUT WRITTEN PERMISSION