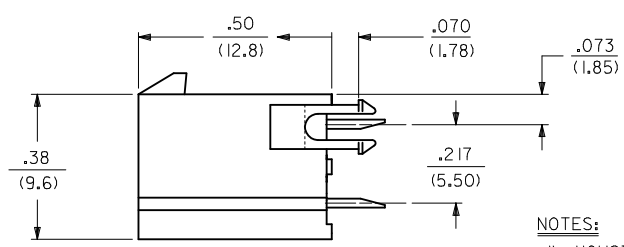
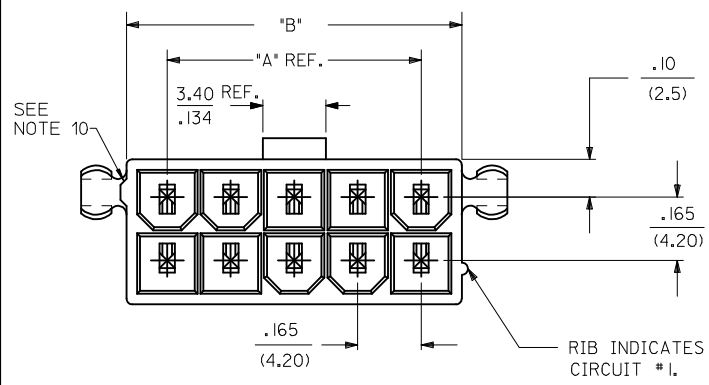
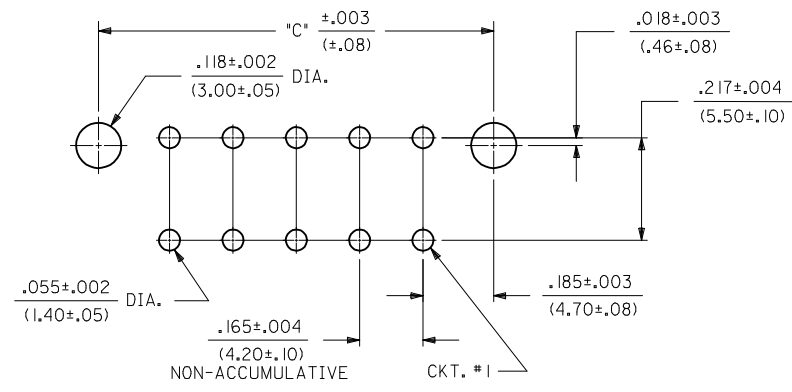
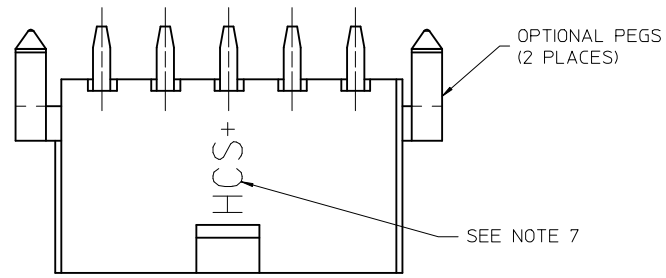
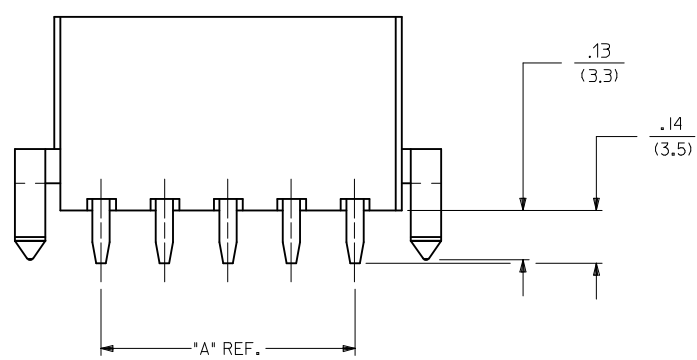


CIRCUIT SIZE	DIM. 'A'	DIM. 'B'	DIM. 'C'
2	—	.21 (5.4)	.370 (9.40)
4	.17 (4.2)	.38 (9.6)	.535 (13.60)
6	.33 (8.4)	.54 (13.8)	.701 (17.80)
8	.50 (12.6)	.71 (18.0)	.866 (22.00)
10	.66 (16.8)	.87 (22.2)	1.031 (26.20)
12	.83 (21.0)	1.04 (26.4)	1.197 (30.40)
14	.99 (25.2)	1.20 (30.6)	1.362 (34.60)
16	1.16 (29.4)	1.37 (34.8)	1.528 (38.80)
18	1.32 (33.6)	1.54 (39.0)	1.693 (43.00)
20	1.49 (37.8)	1.70 (43.2)	1.858 (47.20)
22	1.65 (42.0)	1.87 (47.4)	2.024 (51.40)
24	1.82 (46.2)	2.03 (51.6)	2.189 (55.60)



- NOTES:**
- HOUSING MATERIAL:
V-2 = NYLON 6/6, UNFILLED U.L. 94V-2, COLOR: NATURAL.
V-0 = NYLON 6/6, UNFILLED U.L. 94V-0, COLOR: NATURAL.
GW = NYLON 6, UL94V-0, COLOR: BLACK
IEC 60335-1 4TH EDITION GLOW WIRE CAPABLE
TERMINAL MATERIAL: COPPER ALLOY.
 - TERMINAL PLATING:
TIN = .000100/(.00254) MIN. MATTE TIN OVER .000050/(.00127) MIN. NICKEL OVERALL
GOLD = .000030/(.00080) MIN. SELECT GOLD, .000100/(.00254) MIN. MATTE TIN OVER .000050/(.00127) MIN. NICKEL OVERALL
 - PRODUCT SPECIFICATION: PS-45750-001
 - PACKAGING SPECIFICATION: PK-5566-001.
 - PART MATES WITH MINI-FIT JR. RECEPTACLE NO. 5557.
 - PART ARE NOT TO BE MATED OR UN-MATED WHILE CIRCUITS ARE LIVE.
 - PARTS TO HAVE "HCS+" MARKING
 - PART CONFORMS TO CLASS B OF COSMETIC SPECIFICATION PS-45499-002 WITH THE EXCEPTION OF DISCOLORATION, FLASH, AND SINK MEET CLASS "C" REQUIREMENTS.
 - PART IS NOT DESIGNED FOR CURRENT SHARING.
 - ANTI-SHINGLING RIB MAY OR MAY NOT APPEAR ON HOUSINGS.



CORRECT ERROR EC NO: UCP2013-0706 2012/08/21 DRAWN: NGUYEN 2012/08/21 CHKD: BELL 2012/09/05 APPR: FSMITH	QUALITY SYMBOLS ▽=0 ▽=0 ▽=0	GENERAL TOLERANCES (UNLESS SPECIFIED)		DIMENSION STYLE IN/MM		SCALE 4:1	DESIGN UNITS METRIC	THIRD ANGLE PROJECTION			
		4 PLACES ± --- ± ---	3 PLACES ± --- ± .010	2 PLACES ± 0.25 ± .020	1 PLACE ± 0.50 ± ---	DRAWN BY TGREGORI	DATE 2006/04/27	TITLE VERTICAL HEADER ASSEMBLY DUAL ROW MINI-FIT PLUS HCS SERIES			
		ANGULAR ± 1/2°				CHECKED BY JCOMERCI	DATE				
		DRAFT WHERE APPLICABLE MUST REMAIN WITHIN DIMENSIONS				APPROVED BY FSMITH	DATE 2010/04/09	MATERIAL NO. SEE TABLE			
C1	REV	MATERIAL NO. SD-46015-001				SHEET NO. 1 OF 2					

THIS DRAWING CONTAINS INFORMATION THAT IS PROPRIETARY TO MOLEX INCORPORATED AND SHOULD NOT BE USED WITHOUT WRITTEN PERMISSION

	13	12	11	10	9	8	7	6	5	4	3	2	1							
	ITEM NO.	CKT SIZE	HOUSING MATERIAL	PEGS	PLATING					ITEM NO.	CKT SIZE	HOUSING MATERIAL	PEGS	PLATING						
J	46015-0202	2	V-0	NO	TIN					46015-1402	14	V-0	NO	TIN						
	46015-0203			YES		YES		46015-1403	YES											
	46015-0206			NO				46015-1406	NO											
	46015-0207			YES				46015-1407	YES											
	46015-0209			YES				46015-1409	YES											
	46015-0210	GW	YES	GOLD	46015-1602	NO			46015-1603	16	V-0	NO	TIN							
I	46015-0402	4	V-0	NO	TIN	YES			46015-1606			NO								
	46015-0403			YES				46015-1607	YES											
	46015-0406			NO				46015-1609	YES											
	46015-0407			YES				46015-1802	NO					46015-1803	18	V-0	YES	TIN		
	46015-0409			YES				46015-1806	NO											
	46015-0410	GW	YES	GOLD	46015-1807	YES														
	46015-0602	6	V-0	NO	TIN	YES			46015-1809	YES	GOLD									
H	46015-0603			6		V-2	NO	TIN	YES			46015-2002	NO	20			V-0		NO	GOLD
	46015-0606						NO				46015-2003	YES								
	46015-0607						YES				46015-2006	NO								
	46015-0609						V-0		YES	GOLD	46015-2007	YES								
	46015-0610	GW	YES		GOLD		46015-2009		YES	GOLD										
	46015-0802	8	V-0	NO	TIN	YES			46015-2202	NO	22	V-0	NO	TIN						
G	46015-0803			8		V-2	NO	TIN	YES						46015-2203	YES				
	46015-0806						NO						46015-2206		NO					
	46015-0807						YES						46015-2207		YES					
	46015-0809						V-0		YES	GOLD			46015-2209		YES	GOLD				
	46015-0810	GW	YES		GOLD		46015-2402		NO		46015-2403	24	V-0	NO	TIN					
	46015-1002	10	V-0	NO	TIN	YES			46015-2406	NO										
	46015-1003			10		V-2	NO	TIN	YES					46015-2407		YES				
	46015-1006						10		V-0	YES	TIN			YES				46015-2409	YES	GOLD
	46015-1007									10				V-0		YES	TIN	YES		
	46015-1009											10	V-0		YES	TIN		YES		
	46015-1010	10	V-0		YES										TIN			YES		
	46015-1202			12	V-0	NO		TIN										YES		
	46015-1203					12	V-2		NO		TIN							YES		
	46015-1206								12	V-0				NO			TIN	YES		
	46015-1207											12	V-0	YES		TIN		YES		
	46015-1209	12	V-0											YES	TIN			YES		
	46015-1210			12	V-0			YES						TIN				YES		

SEE SHEET 1 EC NO: UCP2013-0706 DRWINANGUYEN 2012/08/21 CHKD:JBELL 2012/08/21 APPR:FSMITH 2012/09/05	QUALITY SYMBOLS 	GENERAL TOLERANCES (UNLESS SPECIFIED)		DIMENSION STYLE IN/MM		SCALE 1:1	DESIGN UNITS METRIC	THIRD ANGLE PROJECTION		
		4 PLACES ± --- ± ---	mm	INCH	DRAWN BY TGREGORI	DATE 2006/04/27	TITLE VERTICAL HEADER ASSEMBLY DUAL ROW MINI-FIT PLUS HCS SERIES			
		3 PLACES ± --- ± .010			CHECKED BY JCOMERC I	DATE				
		2 PLACES ± 0.25 ± .020			APPROVED BY FSMITH	DATE 2010/04/09	MATERIAL NO. SEE CHART			
		1 PLACE ± 0.50 ± ---			ANGULAR ± 1/2°		DOCUMENT NO. SD-46015-001		SHEET NO. 2 OF 2	
DRAFT WHERE APPLICABLE MUST REMAIN WITHIN DIMENSIONS		SIZE C		THIS DRAWING CONTAINS INFORMATION THAT IS PROPRIETARY TO MOLEX INCORPORATED AND SHOULD NOT BE USED WITHOUT WRITTEN PERMISSION						