

ELECTRICAL SPECIFICATIONS:

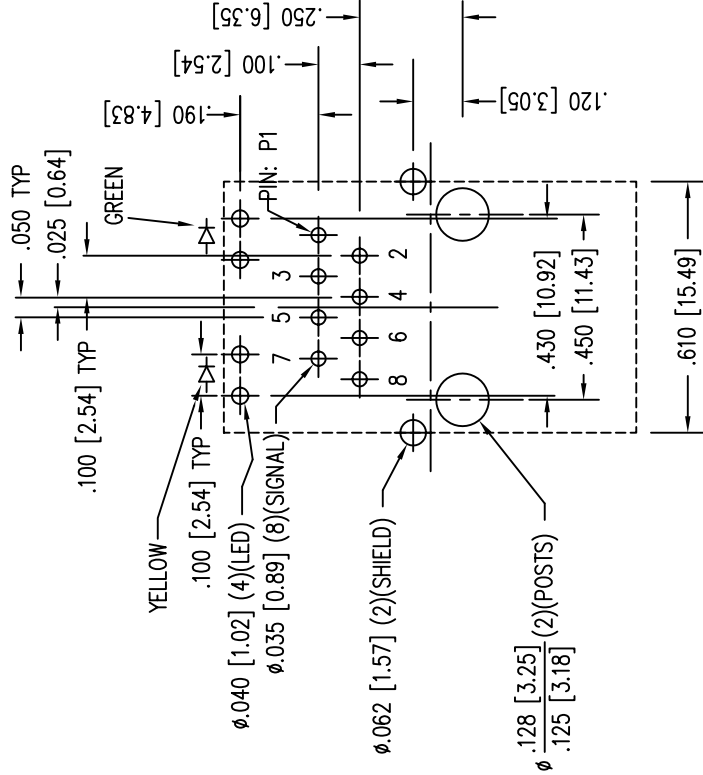
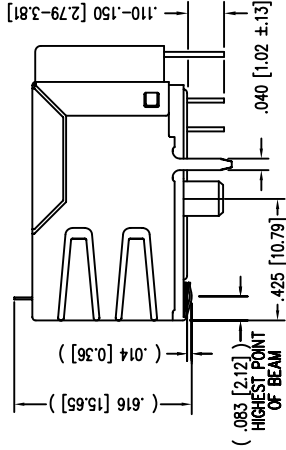
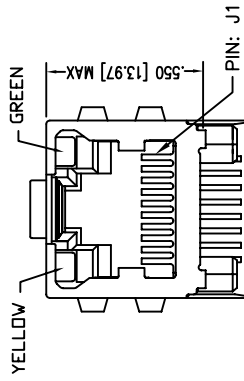
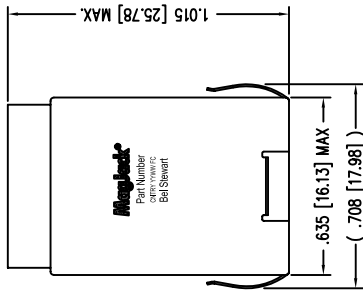
- 1.0 TURNS RATIO: { P6-P8-P3 } : { J6-J3 }
 { P2-P7-P1 } : { J2-J1 }
- 2.0 INDUCTANCE: { P6-P3 }
 { P2-P1 }
- 3.0 LEAKAGE INDUCTANCE: P6-P3 (WITH J6 AND J3 SHORT)
 P2-P1 (WITH J2 AND J1 SHORT)
- 4.0 INTERWINDING CAPACITANCE: { P6,P3 } TO { J6,J3 }
 { P2,P1 } TO { J2,J1 }
- 5.0 DC RESISTANCE: { J6-J3 }={ J2-J1 }
 { P6-P8 }={ P8-P3 }
 { P2-P7 }={ P7-P1 }
- 6.0 DIELECTRIC WITHSTAND: { P6,P3 } TO { J6,J3 }
 { P2,P1 } TO { J2,J1 }

- NOTES
- 1.0 PINS WITHOUT ELECTRICAL CONNECTION ARE OMITTED.

THIS DRAWING AND THE SUBJECT MATTER SHOWN THEREON ARE CONFIDENTIAL AND PROPERTY OF BEL STEWART CONNECTOR AND SHALL NOT BE REPRODUCED, COPIED, OR USED IN ANY MANNER WITHOUT PRIOR WRITTEN CONTENT OF BEL STEWART CONNECTOR. THE SUBJECT MATTER SHOWN THEREON MAY BE PATENTED OR A PATENT MAY BE PENDING FOR BEL STEWART CONNECTOR.

LED SPECIFICATION			
STANDARD LED	WAVELENGTH	FORWARD V (MAX)	*(TYP)
GREEN	565 nm	2.5 V	2.2 V
YELLOW	590 nm	2.5 V	2.1 V

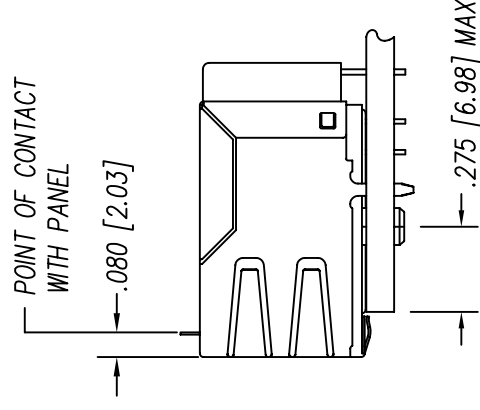
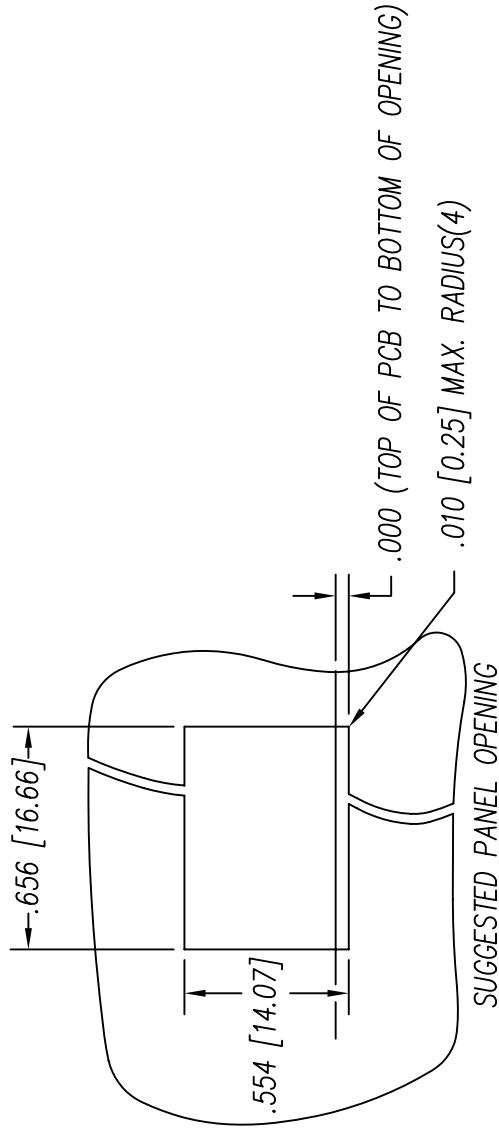
*WITH A FORWARD CURRENT OF 20 mA (TYP)



NOTES:

- CONNECTOR MATERIALS:
HOUSING: THERMOPLASTIC UL94 V-0
CONTACT/SHIELD: COPPER ALLOY
SHIELD PLATING: NICKEL OR TIN
CONTACT PLATING: SELECTIVE GOLD,
50 MICRO-INCHES MIN. IN CONTACT AREA.
- PIN NOT ELECTRICALLY CONNECTED MAYBE OMITTED.
SEE ELECTRICAL DRAWING FOR OMITTED PINS.
- TOLERANCES COMPLY WITH F.C.C. DIMENSION REQUIREMENTS.
- ALL TOLERANCES NOT OTHERWISE SPECIFIED TO BE ±.005 [0.13]
- WAVE SOLDER COMPATIBLE - PREHEAT 125°C/90SECS.

P.C.B. RECOMMENDED HOLE LAYOUT
SEEN FROM COMPONENT SIDE
TOLERANCE ±.003 [0.08] UNLESS OTHERWISE SPECIFIED



1. THE SUGGESTED PANEL OPENING IS INTENDED TO GIVE THE USER THE ABILITY TO HAVE REASONABLE JACK / PANEL CLEARANCES YET MAINTAIN RELIABLE GROUNDING CAPABILITY.
2. ALL TOLERANCES NOT OTHERWISE SPECIFIED TO BE ± 0.005 [0.13]

THIS DRAWING AND THE SUBJECT MATTER SHOWN THEREON ARE CONFIDENTIAL AND PROPERTY OF BEL STEWART CONNECTOR AND SHALL NOT BE REPRODUCED, COPIED, OR USED IN ANY MANNER WITHOUT PRIOR WRITTEN CONTENT BEL STEWART CONNECTOR. THE SUBJECT MATTER SHOWN THEREON MAY BE PATENTED OR A PATENT MAY BE PENDING FOR BEL STEWART CONNECTOR. THE SUBJECT MATTER SHOWN THEREON MAY BE PATENTED OR A PATENT MAY BE PENDING FOR BEL STEWART CONNECTOR.

Bel Stewart Connector
 11118 Susquehanna Trail, South
 Glen Rock, Pa 17327-9199
 717.234.7512

MagJack®

<http://www.stewartconnector.com>

SHEET
 3 OF 3

DRAWING NO. SI-50046

REV. 07