



C Female Bulkhead Connector Solder Attachment Solder Cup Terminal, .720 inch D Hole, High Voltage

TECHNICAL DATA SHEET

PE4972

C Female Bulkhead Connector Solder Attachment Solder Cup Terminal, .720 inch D Hole, High Voltage

Configuration

Connector	C Female
Connector Specification	MIL-C-39012
Connector Interface Type	Solder Cup
Cable Attachment Method (Shield/Contact)	Solder
Body Style	Straight
Mount Method	Bulkhead

Electrical Specifications

Impedance, Ohms	50
-----------------	----

Mechanical Specifications

Temperature

Operating Range, deg C	-65 to +165
------------------------	-------------

Size

Length, in [mm]	1.315 [33.4]
Width/Dia., in [mm]	1 [25.40]
Weight, lbs [g]	0.089 [40.37]

Connector

Type	C Female
Contact Material and Plating	Silver
Contact Plating Specification	QQ-S-365
Body Material and Plating	Brass, Nickel
Dielectric Type	Teflon

Compliance Certifications (visit www.Pasternack.com for current document)

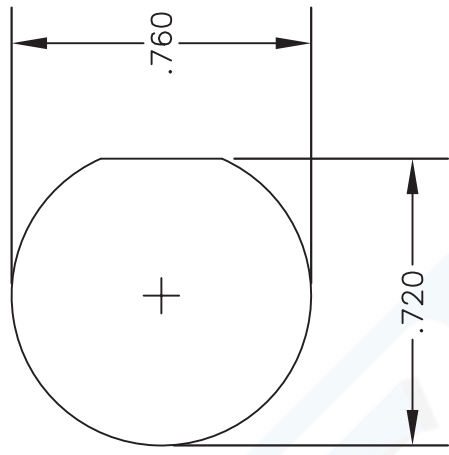
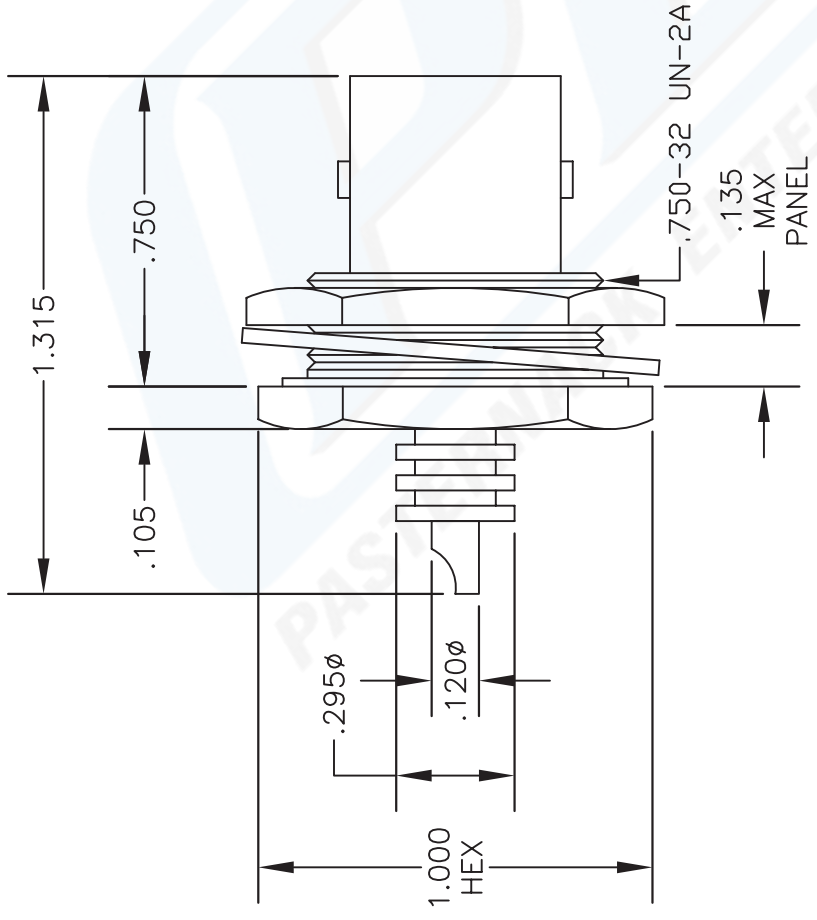
RoHS Compliant	Yes
----------------	-----

Click the following link (or enter part number in "SEARCH" on website) to obtain additional part information including price, inventory and certifications: [C Female Bulkhead Connector Solder Attachment Solder Cup Terminal, .720 inch D Hole, High Voltage PE4972](#)

The information contained in this document is accurate to the best of our knowledge and representative of the part described herein. It may be necessary to make modifications to the part and/or the documentation of the part, in order to implement improvements. Pasternack reserves the right to make such changes as required. Unless otherwise stated, all specifications are nominal.



MATERIALS	
BODY	BRASS NICKEL PLATED
CONTACT	SILVER PLATED
INSULATOR	PTFE



MOUNTING HOLE



PASTERNAK ENTERPRISES, INC.
 P O BOX 16759, IRVINE, CA 92623
 PHONE (949) 261-1920 FAX (949) 261-7451
 WEB ADDRESS: www.pasternack.com
 E-MAIL ADDRESS: sales@pasternack.com
COAXIAL & FIBER OPTICS

DWG TITLE	PE4972		
DES.	C FEMALE; BULKHEAD REAR MOUNT, HIGH VOLTAGE 3000 VOLTS RMS, SOLDER CUP CONTACT		
SIZE A	FSCM NO. 53919	CAD FILE	061402
		SCALE	N/A
			127

NOTES:
 1. UNLESS OTHERWISE SPECIFIED ALL DIMENSIONS ARE NOMINAL.
 2. ALL SPECIFICATIONS ARE SUBJECT TO CHANGE WITHOUT NOTICE AT ANY TIME.