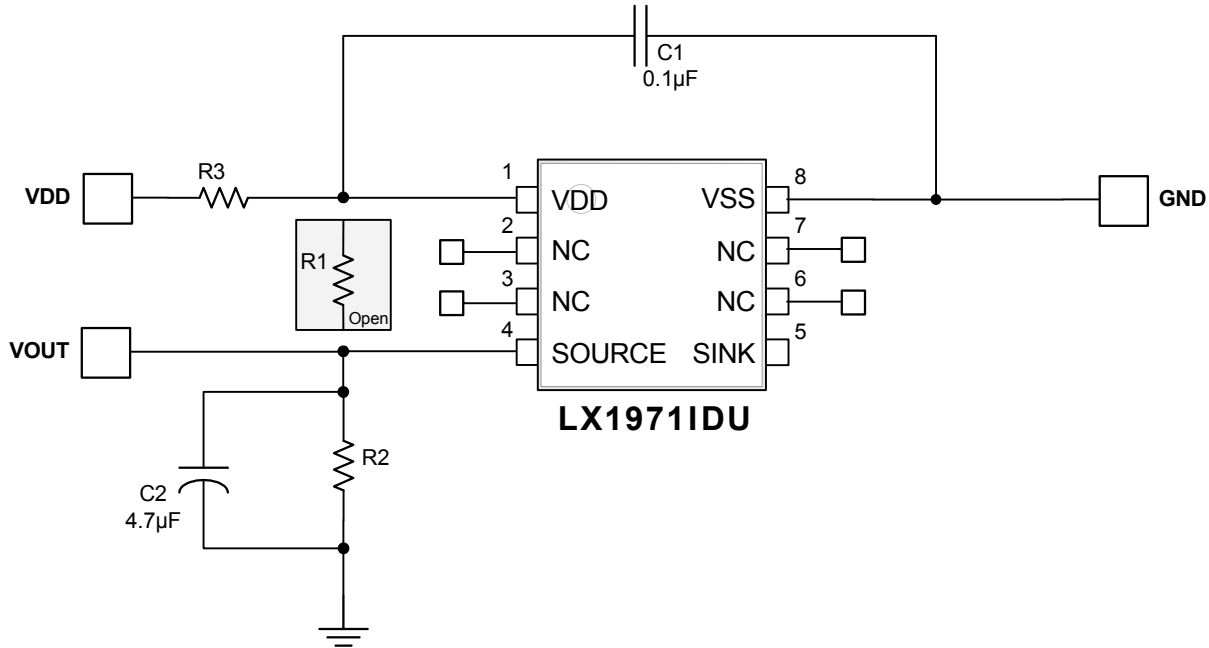


SCHEMATIC



The LX1971 Mini Light Sensor Board has been designed to easily interface and control virtually any lighting requirement. Resistor values can be changed to adjust desired minimum brightness range and slope. See LX1971 datasheet and application note for additional information.

$$V_{OUT} = I_{SRC} \times R2$$

R1 = OPEN

R2 = 60.4KΩ

R3 = 0Ω

$V_{DD} = 3.3V$

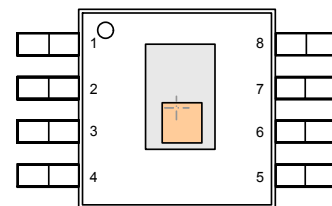
At total dark, $V_{OUT} = 10mV$

at maximum LUX, $V_{OUT} = 2.5V$

PHOTO



PACKAGE PIN OUT



DU PACKAGE
(Top View)

FUNCTIONAL PIN DESCRIPTION

NAME	DESCRIPTION
V_{DD}	Input Supply Voltage (Some boards wired with a RED pigtail.)
V_{SS}	Ground Reference for Power and Signal Output (Some boards wired with a BLACK pigtail.)
SNK	Output Current Sink
SRC	Output Current Source (Some boards wired with a PURPLE pigtail.)