



NPN BSS60A-61A-62A

SILICON PLANAR EPITAXIAL TRANSISTORS

They are PNP transistors mounted in TO-39 metal package.

They are designed for use in industrial switching applications e.g. print hammer, solenoid, relay and lamp driving .

NPN complements are the BSS50A – 51A – 52A .

Compliance to RoHS.

ABSOLUTE MAXIMUM RATINGS

Symbol	Ratings	Value	Unit	
V_{CBO}	Collector-Base Voltage	BSS60A	60	V
		BSS61A	80	
		BSS62A	90	
V_{CES}	Collector-Emitter Voltage $V_{BE} = 0$	BSS60A	45	V
		BSS61A	60	
		BSS62A	80	
V_{EBO}	Emitter-Base Voltage	5	V	
I_C	Collector Current	I_C	1	A
		I_{CM}	2	
I_B	Base Current	0.1	A	
P_{tot}		@ $T_{case} = 25^\circ$	5	W
		@ $T_{amb} = 25^\circ$	0.8	
T_J	Junction Temperature	200	$^\circ C$	
T_{Stg}	Storage Temperature range	-65 to +150	$^\circ C$	

THERMAL CHARACTERISTICS

Symbol	Ratings	Value	Unit
R_{thJ-c}	Thermal Resistance, Junction-case	35	K/ W
$R_{thJ-amb}$	Thermal Resistance, Junction-ambient	220	K/ W

ELECTRICAL CHARACTERISTICS

NPN BSS60A-61A-62A

TC=25°C unless otherwise noted

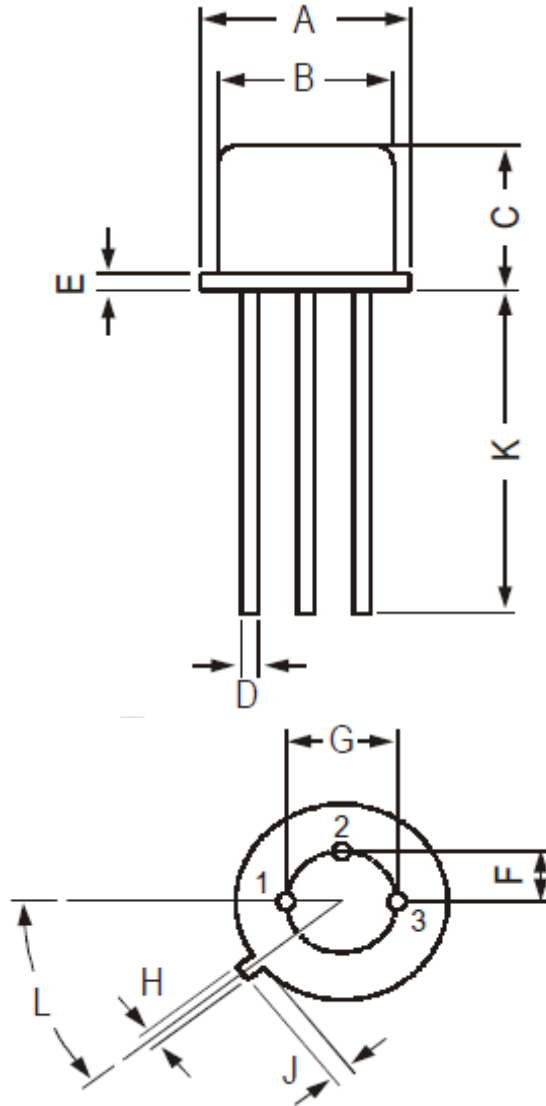
Symbol	Ratings	Test Condition(s)	Min	Typ	Max	Unit	
$-I_{CBO}$	Collector Cutoff Current	$I_E = 0, -V_{CB} = 45V$	BSS60A	-	-	50	nA
		$I_E = 0, -V_{CB} = 60V$	BSS61A				
		$I_E = 0, -V_{CB} = 80V$	BSS62A				
$-I_{EBO}$	Emitter Cutoff Current	$I_C = 0, -V_{EB} = 4 V$	BSS60A	-	-	700	μA
			BSS61A				
			BSS62A				
$-V_{CE(SAT)}$	Collector-Emitter saturation Voltage	$-I_C = 500 \text{ mA}$ $-I_B = 0.5 \text{ mA}$		-	-	1.3	V
		$-I_C = 500 \text{ mA}$ $-I_B = 0.5 \text{ mA}$ $T_j = 200^\circ C$		-	-	1.3	
		$-I_C = 1 \text{ A}, -I_B = 1 \text{ mA}$	BSS61A	-	-	1.6	
		$-I_C = 1 \text{ A}, -I_B = 1 \text{ mA}$ $T_j = 200^\circ C$		-	-	1.6	
		$-I_C = 1 \text{ A}$ $-I_B = 4 \text{ mA}$	BSS60A / BSS62A	-	-	1.6	
		$-I_C = 1 \text{ A}$ $-I_B = 4 \text{ mA}$ $T_j = 200^\circ C$		-	-	1.6	
$-V_{BE(SAT)}$	Base-Emitter saturation Voltage	$-I_C = 500 \text{ mA}$ $-I_B = 0.5 \text{ mA}$		-	-	1.9	
		$-I_C = 1 \text{ A}$ $-I_B = 1 \text{ mA}$	BSS61A	-	-	2.2	
		$-I_C = 1 \text{ A}$ $-I_B = 4 \text{ mA}$	BSS60A / BSS62A	-	-	2.2	
h_{FE}	DC Current Gain	$-I_C = 150 \text{ mA}$ $-V_{CE} = 10 \text{ V}$	BSS60A	800	-	-	-
			BSS61A				
			BSS62A				
		$-I_C = 500 \text{ mA}$ $-V_{CE} = 10 \text{ V}$	BSS60A	2000	-	-	
			BSS61A				
			BSS62A				
h_{fe}	Small Signal Current Gain	$-I_C = 500 \text{ mA}$ $-V_{CE} = 5 \text{ V}$ $f = 35 \text{ MHz}$	BSS60A	-	10	-	-
			BSS61A				
			BSS62A				
t_{on}	Switching times	$-I_{Con} = 500 \text{ mA}$ $-I_{B1} = I_{B2} = 0.5 \text{ mA}$		-	0.4	-	μs
t_{off}				-	1.5	-	
t_{on}	Switching times	$-I_{Con} = 1 \text{ mA}$ $-I_{B1} = I_{B2} = 1 \text{ mA}$		-	0.4	-	μs
t_{off}				-	1.5	-	

MECHANICAL DATA CASE TO-39

NPN BSS60A-61A-62A

DIMENSIONS (mm)		
	min	max
A	8.50	9.39
B	7.74	8.50
C	6.09	6.60
D	0.40	0.53
E	-	0.88
F	2.41	2.66
G	4.82	5.33
H	0.71	0.86
J	0.73	1.02
K	12.70	-
L	42°	48°

Pin 1 :	Emitter
Pin 2 :	Base
Pin 3 :	Collector
Case :	Collector



Revised september 2012

Information furnished is believed to be accurate and reliable. However, Comset Semiconductors assumes no responsibility for the consequences of use of such information nor for any infringement of patents or other rights of third parties which may result from its use. Data are subject to change without notice. Comset Semiconductors makes no warranty, representation or guarantee regarding the suitability of its products for any particular purpose, nor does Comset Semiconductors assume any liability arising out of the application or use of any product and specifically disclaims any and all liability, including without limitation consequential or incidental damages. Comset Semiconductors' products are not authorized for use as critical components in life support devices or systems.