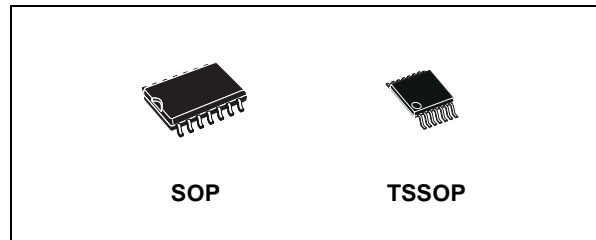




# 74LCX86

## LOW VOLTAGE CMOS QUAD EXCLUSIVE OR GATE WITH 5V TOLERANT INPUTS

- 5V TOLERANT INPUTS
- HIGH SPEED :  
 $t_{PD} = 6.5ns$  (MAX.) at  $V_{CC} = 3V$
- POWER DOWN PROTECTION ON INPUTS AND OUTPUTS
- SYMMETRICAL OUTPUT IMPEDANCE:  
 $|I_{OH}| = I_{OL} = 24mA$  (MIN) at  $V_{CC} = 3V$
- PCI BUS LEVELS GUARANTEED AT 24 mA
- BALANCED PROPAGATION DELAYS:  
 $t_{PLH} \approx t_{PHL}$
- OPERATING VOLTAGE RANGE:  
 $V_{CC}(OPR) = 2.0V$  to  $3.6V$  (1.5V Data Retention)
- PIN AND FUNCTION COMPATIBLE WITH 74 SERIES 86
- LATCH-UP PERFORMANCE EXCEEDS 500mA (JESD 17)
- ESD PERFORMANCE:  
 $HBM > 2000V$  (MIL STD 883 method 3015);  
 $MM > 200V$



### ORDER CODES

| PACKAGE | TUBE     | T & R      |
|---------|----------|------------|
| SOP     | 74LCX86M | 74LCX86MTR |
| TSSOP   |          | 74LCX86TTR |

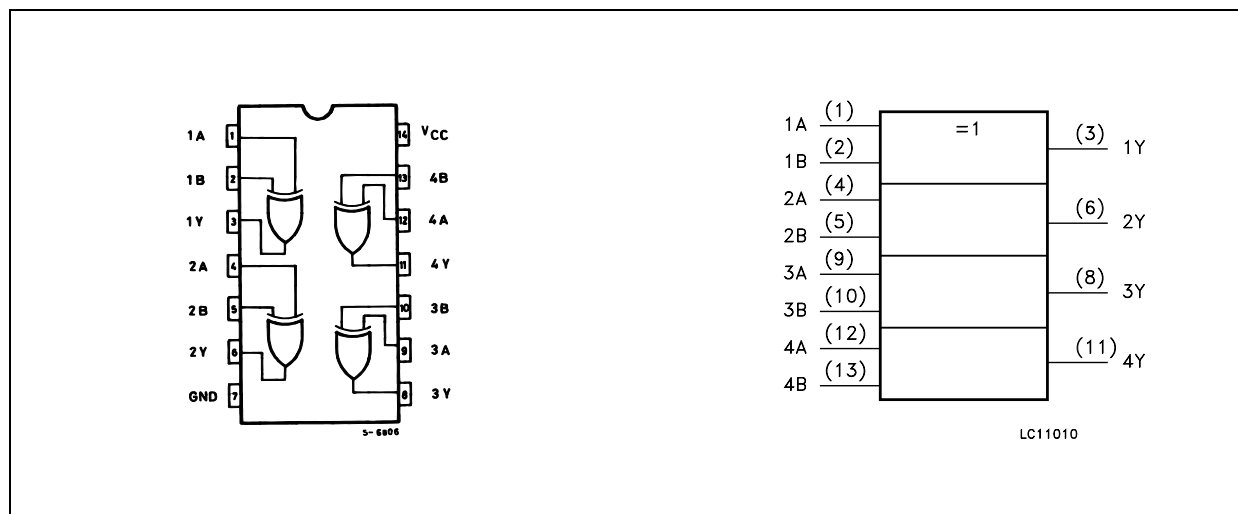
wiring C<sup>2</sup>MOS technology. It is ideal for low power and high speed 3.3V applications; it can be interfaced to 5V signal environment for inputs. It has same speed performance at 3.3V than 5V AC/ACT family, combined with a lower power consumption.

All inputs and outputs are equipped with protection circuits against static discharge, giving them 2KV ESD immunity and transient excess voltage.

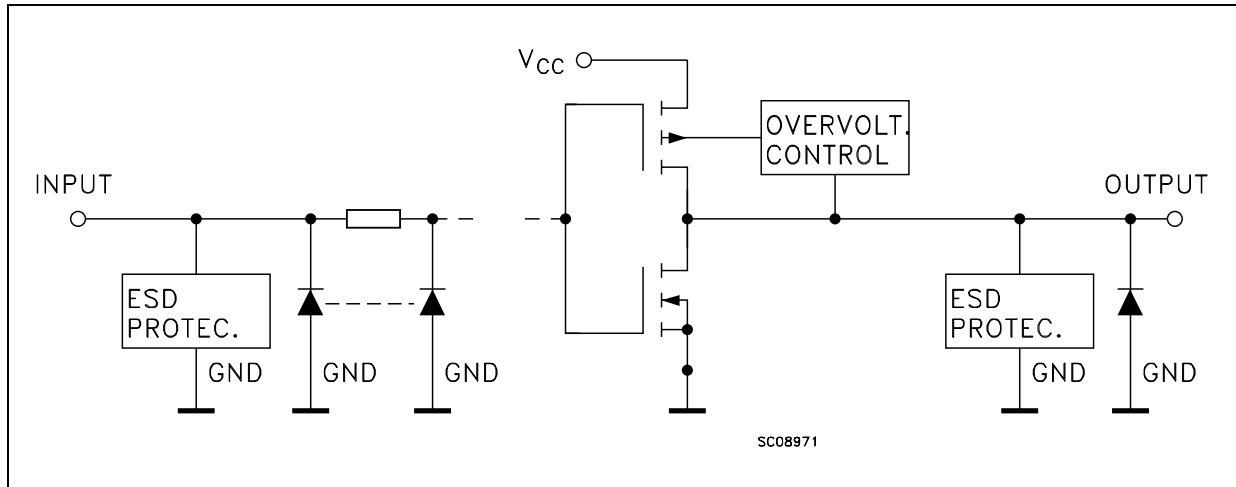
### DESCRIPTION

The 74LCX86 is a low voltage CMOS QUAD EXCLUSIVE OR GATE fabricated with sub-micron silicon gate and double-layer metal

### PIN CONNECTION AND IEC LOGIC SYMBOLS



INPUT AND OUTPUT EQUIVALENT CIRCUIT



PIN DESCRIPTION

| PIN No       | SYMBOL          | NAME AND FUNCTION       |
|--------------|-----------------|-------------------------|
| 1, 4, 9, 12  | 1A to 4A        | Data Inputs             |
| 2, 5, 10, 13 | 1B to 4B        | Data Inputs             |
| 3, 6, 8, 11  | 1Y to 4Y        | Data Outputs            |
| 7            | GND             | Ground (0V)             |
| 14           | V <sub>CC</sub> | Positive Supply Voltage |

TRUTH TABLE

| A | B | Y |
|---|---|---|
| L | L | L |
| L | H | H |
| H | L | H |
| H | H | L |

ABSOLUTE MAXIMUM RATINGS

| Symbol           | Parameter                                      | Value                         | Unit |
|------------------|--|-------------------------------|------|
| V <sub>CC</sub>  | Supply Voltage                                 | -0.5 to +7.0                  | V    |
| V <sub>I</sub>   | DC Input Voltage                               | -0.5 to +7.0                  | V    |
| V <sub>O</sub>   | DC Output Voltage (V <sub>CC</sub> = 0V)       | -0.5 to +7.0                  | V    |
| V <sub>O</sub>   | DC Output Voltage (High or Low State) (note 1) | -0.5 to V <sub>CC</sub> + 0.5 | V    |
| I <sub>IK</sub>  | DC Input Diode Current                         | - 50                          | mA   |
| I <sub>OK</sub>  | DC Output Diode Current (note 2)               | - 50                          | mA   |
| I <sub>O</sub>   | DC Output Current                              | ± 50                          | mA   |
| I <sub>CC</sub>  | DC Supply Current per Supply Pin               | ± 100                         | mA   |
| I <sub>GND</sub> | DC Ground Current per Supply Pin               | ± 100                         | mA   |
| T <sub>stg</sub> | Storage Temperature                            | -65 to +150                   | °C   |
| T <sub>L</sub>   | Lead Temperature (10 sec)                      | 300                           | °C   |

Absolute Maximum Ratings are those values beyond which damage to the device may occur. Functional operation under these conditions is not implied

- 1) I<sub>O</sub> absolute maximum rating must be observed
- 2) V<sub>O</sub> < GND

## RECOMMENDED OPERATING CONDITIONS

| Symbol           | Parameter   | Value         | Unit        |
|------------------|---|---------------|-------------|
| $V_{CC}$         | Supply Voltage (note 1)                                       | 2.0 to 3.6    | V           |
| $V_I$            | Input Voltage   | 0 to 5.5      | V           |
| $V_O$            | Output Voltage ( $V_{CC} = 0V$ )                              | 0 to 5.5      | V           |
| $V_O$            | Output Voltage (High or Low State)                            | 0 to $V_{CC}$ | V           |
| $I_{OH}, I_{OL}$ | High or Low Level Output Current ( $V_{CC} = 3.0$ to $3.6V$ ) | $\pm 24$      | mA          |
| $I_{OH}, I_{OL}$ | High or Low Level Output Current ( $V_{CC} = 2.7V$ )          | $\pm 12$      | mA          |
| $T_{op}$         | Operating Temperature   | -55 to 125    | $^{\circ}C$ |
| dt/dv            | Input Rise and Fall Time (note 2)                             | 0 to 10       | ns/V        |

1) Truth Table guaranteed: 1.5V to 3.6V

2)  $V_{IN}$  from 0.8V to 2V at  $V_{CC} = 3.0V$ 

## DC SPECIFICATIONS

| Symbol          | Parameter                 | Test Condition  |                                | Value                 |          |                        |          | Unit    |
|-----------------|---------------------------|-----------------|--------------------------------|-----------------------|----------|------------------------|----------|---------|
|                 |                           | $V_{CC}$<br>(V) |                                | -40 to 85 $^{\circ}C$ |          | -55 to 125 $^{\circ}C$ |          |         |
|                 |                           |                 |                                | Min.                  | Max.     | Min.                   | Max.     |         |
| $V_{IH}$        | High Level Input Voltage  | 2.7 to 3.6      |                                | 2.0                   |          | 2.0                    |          | V       |
| $V_{IL}$        | Low Level Input Voltage   |                 |                                |                       |          | 0.8                    |          | 0.8     |
| $V_{OH}$        | High Level Output Voltage | 2.7 to 3.6      | $I_O = -100 \mu A$             | $V_{CC} - 0.2$        |          | $V_{CC} - 0.2$         |          | V       |
|                 |                           | 2.7             | $I_O = -12 mA$                 | 2.2                   |          | 2.2                    |          |         |
|                 |                           | 3.0             | $I_O = -18 mA$                 | 2.4                   |          | 2.4                    |          |         |
|                 |                           |                 | $I_O = -24 mA$                 | 2.2                   |          | 2.2                    |          |         |
| $V_{OL}$        | Low Level Output Voltage  | 2.7 to 3.6      | $I_O = 100 \mu A$              |                       | 0.2      |                        | 0.2      | V       |
|                 |                           | 2.7             | $I_O = 12 mA$                  |                       | 0.4      |                        | 0.4      |         |
|                 |                           | 3.0             | $I_O = 16 mA$                  |                       | 0.4      |                        | 0.4      |         |
|                 |                           |                 | $I_O = 24 mA$                  |                       | 0.55     |                        | 0.55     |         |
| $I_I$           | Input Leakage Current     | 2.7 to 3.6      | $V_I = 0$ to $5.5V$            |                       | $\pm 5$  |                        | $\pm 5$  | $\mu A$ |
| $I_{off}$       | Power Off Leakage Current | 0               | $V_I$ or $V_O = 5.5V$          |                       | 10       |                        | 10       | $\mu A$ |
| $I_{CC}$        | Quiescent Supply Current  | 2.7 to 3.6      | $V_I = V_{CC}$ or GND          |                       | 10       |                        | 10       | $\mu A$ |
|                 |                           |                 | $V_I$ or $V_O = 3.6$ to $5.5V$ |                       | $\pm 10$ |                        | $\pm 10$ |         |
| $\Delta I_{CC}$ | $I_{CC}$ incr. per Input  | 2.7 to 3.6      | $V_{IH} = V_{CC} - 0.6V$       |                       | 500      |                        | 500      | $\mu A$ |

## DYNAMIC SWITCHING CHARACTERISTICS

| Symbol    | Parameter                               | Test Condition  |  | Value                        |      |      | Unit |
|-----------|---|-----------------|--|------------------------------|------|------|------|
|           |   | $V_{CC}$<br>(V) |  | $T_A = 25 \text{ }^{\circ}C$ |      |      |      |
|           |   |                 |  | Min.                         | Typ. | Max. |      |
| $V_{OLP}$ | Dynamic Low Level Quiet Output (note 1) | 3.3             | $C_L = 50pF$<br>$V_{IL} = 0V, V_{IH} = 3.3V$ |                              | 0.8  |      | V    |
| $V_{OLV}$ |   |                 |  |                              | -0.8 |      |      |

1) Number of outputs defined as "n". Measured with "n-1" outputs switching from HIGH to LOW or LOW to HIGH. The remaining output is measured in the LOW state.

AC ELECTRICAL CHARACTERISTICS

| Symbol                                 | Parameter                             | Test Condition         |                        |                       |   | Value        |            |               |            | Unit |
|--|---------------------------------------|------------------------|------------------------|-----------------------|---|--------------|------------|---------------|------------|------|
|  |                                       | V <sub>CC</sub><br>(V) | C <sub>L</sub><br>(pF) | R <sub>L</sub><br>(Ω) | t <sub>s</sub> = t <sub>r</sub><br>(ns) | -40 to 85 °C |            | -55 to 125 °C |            |      |
|  |                                       |                        |                        |                       |   | Min.         | Max.       | Min.          | Max.       |      |
| t <sub>PLH</sub> t <sub>PHL</sub>      | Propagation Delay Time                | 2.7<br>3.0 to 3.6      | 50                     | 500                   | 2.5                                     |              | 6.0<br>6.5 |               | 6.0<br>6.5 | ns   |
| t <sub>OSLH</sub><br>t <sub>OSHL</sub> | Output To Output Skew Time (note1, 2) | 3.0 to 3.6             | 50                     | 500                   | 2.5                                     |              | 1.0        |               | 1.0        | ns   |

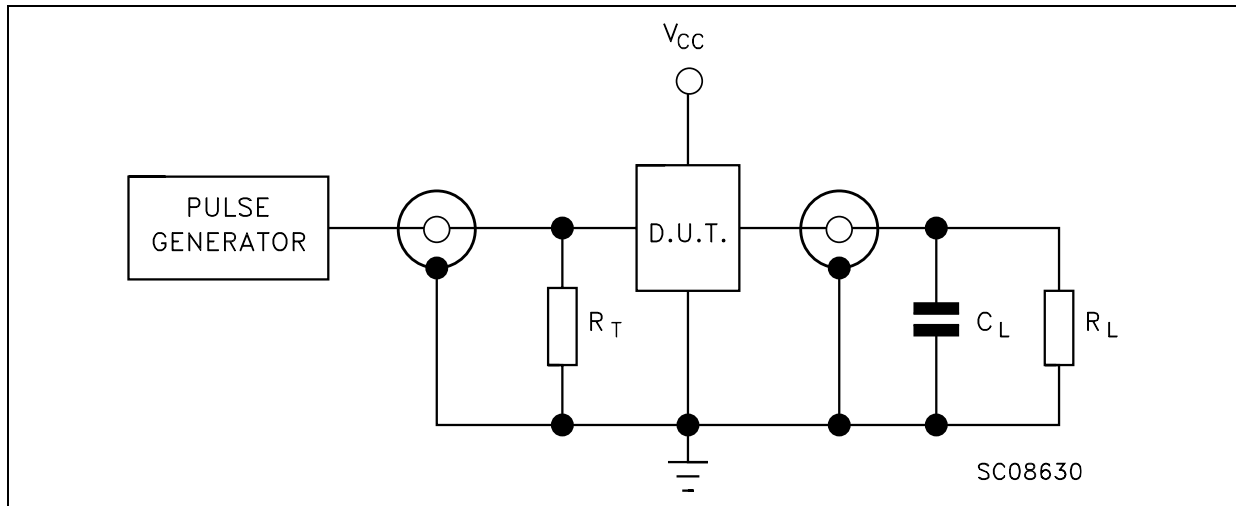
1) Skew is defined as the absolute value of the difference between the actual propagation delay for any two outputs of the same device switching in the same direction, either HIGH or LOW (t<sub>OSLH</sub> = |t<sub>PLHm</sub> - t<sub>PLHn</sub>|, t<sub>OSHL</sub> = |t<sub>PHLm</sub> - t<sub>PHLn</sub>|)  
 2) Parameter guaranteed by design

CAPACITIVE CHARACTERISTICS

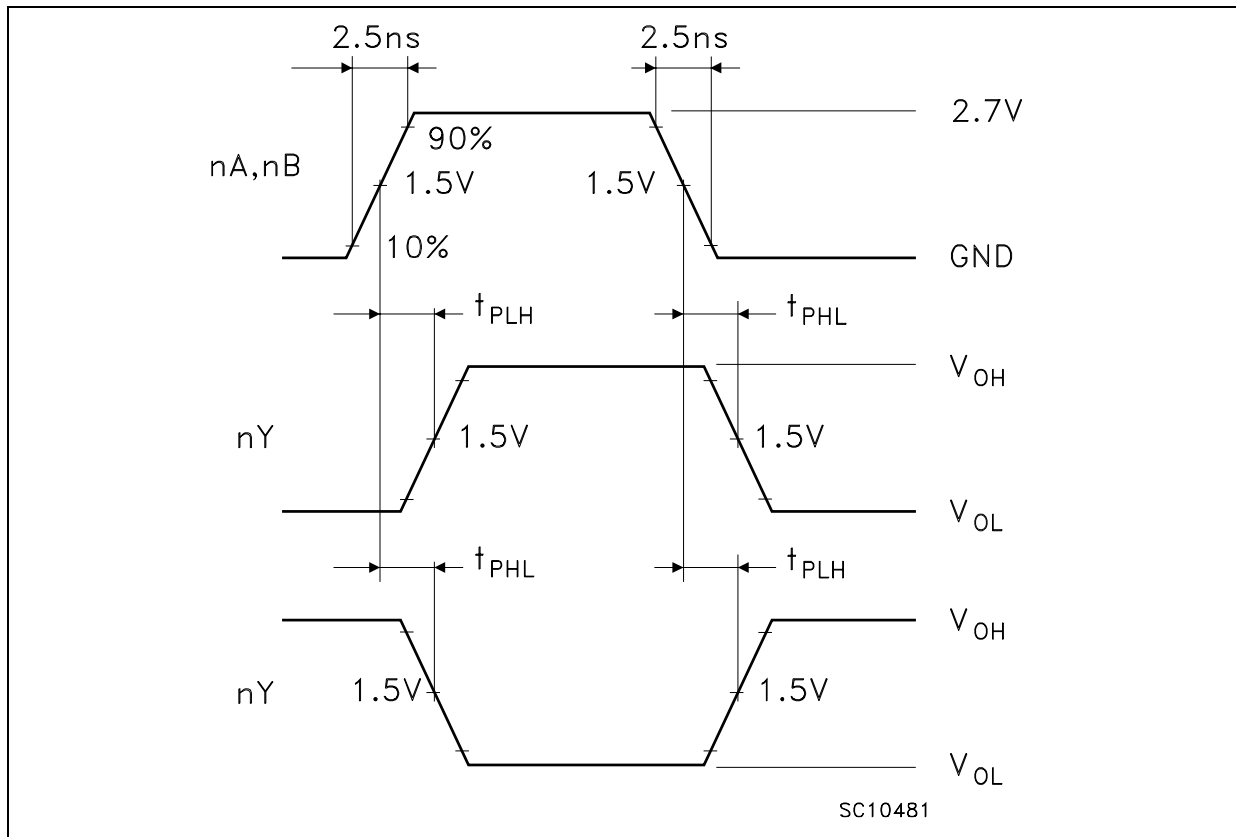
| Symbol          | Parameter                              | Test Condition         |   | Value                  |      |      | Unit |
|-----------------|--|------------------------|---|------------------------|------|------|------|
|                 |  | V <sub>CC</sub><br>(V) |   | T <sub>A</sub> = 25 °C |      |      |      |
|                 |  |                        |   | Min.                   | Typ. | Max. |      |
| C <sub>IN</sub> | Input Capacitance                      | 3.3                    | V <sub>IN</sub> = 0 to V <sub>CC</sub>                            |                        | 6    |      | pF   |
| C <sub>PD</sub> | Power Dissipation Capacitance (note 1) | 3.3                    | f <sub>IN</sub> = 10MHz<br>V <sub>IN</sub> = 0 or V <sub>CC</sub> |                        | 43   |      | pF   |

1) C<sub>PD</sub> is defined as the value of the IC's internal equivalent capacitance which is calculated from the operating current consumption without load. (Refer to Test Circuit). Average operating current can be obtained by the following equation. I<sub>CC(opr)</sub> = C<sub>PD</sub> × V<sub>CC</sub> × f<sub>IN</sub> + I<sub>CC</sub>/4 (per gate)

TEST CIRCUIT



C<sub>L</sub> = 50 pF or equivalent (includes jig and probe capacitance)  
 R<sub>L</sub> = 500Ω or equivalent  
 R<sub>T</sub> = Z<sub>OUT</sub> of pulse generator (typically 50Ω)

**WAVEFORM : PROPAGATION DELAYS** ( $f=1\text{MHz}$ ; 50% duty cycle)

## SO-14 MECHANICAL DATA

| DIM. | mm.        |      |      | inch  |       |       |
|------|------------|------|------|-------|-------|-------|
|      | MIN.       | TYP. | MAX. | MIN.  | TYP.  | MAX.  |
| A    |            |      | 1.75 |       |       | 0.068 |
| a1   | 0.1        |      | 0.2  | 0.003 |       | 0.007 |
| a2   |            |      | 1.65 |       |       | 0.064 |
| b    | 0.35       |      | 0.46 | 0.013 |       | 0.018 |
| b1   | 0.19       |      | 0.25 | 0.007 |       | 0.010 |
| C    |            | 0.5  |      |       | 0.019 |       |
| c1   | 45° (typ.) |      |      |       |       |       |
| D    | 8.55       |      | 8.75 | 0.336 |       | 0.344 |
| E    | 5.8        |      | 6.2  | 0.228 |       | 0.244 |
| e    |            | 1.27 |      |       | 0.050 |       |
| e3   |            | 7.62 |      |       | 0.300 |       |
| F    | 3.8        |      | 4.0  | 0.149 |       | 0.157 |
| G    | 4.6        |      | 5.3  | 0.181 |       | 0.208 |
| L    | 0.5        |      | 1.27 | 0.019 |       | 0.050 |
| M    |            |      | 0.68 |       |       | 0.026 |
| S    | 8° (max.)  |      |      |       |       |       |



PO13G

## TSSOP14 MECHANICAL DATA

| DIM. | mm.  |          |      | inch  |            |        |
|------|------|----------|------|-------|------------|--------|
|      | MIN. | TYP.     | MAX. | MIN.  | TYP.       | MAX.   |
| A    |      |          | 1.2  |       |            | 0.047  |
| A1   | 0.05 |          | 0.15 | 0.002 | 0.004      | 0.006  |
| A2   | 0.8  | 1        | 1.05 | 0.031 | 0.039      | 0.041  |
| b    | 0.19 |          | 0.30 | 0.007 |            | 0.012  |
| c    | 0.09 |          | 0.20 | 0.004 |            | 0.0089 |
| D    | 4.9  | 5        | 5.1  | 0.193 | 0.197      | 0.201  |
| E    | 6.2  | 6.4      | 6.6  | 0.244 | 0.252      | 0.260  |
| E1   | 4.3  | 4.4      | 4.48 | 0.169 | 0.173      | 0.176  |
| e    |      | 0.65 BSC |      |       | 0.0256 BSC |        |
| K    | 0°   |          | 8°   | 0°    |            | 8°     |
| L    | 0.45 | 0.60     | 0.75 | 0.018 | 0.024      | 0.030  |



Information furnished is believed to be accurate and reliable. However, STMicroelectronics assumes no responsibility for the consequences of use of such information nor for any infringement of patents or other rights of third parties which may result from its use. No license is granted by implication or otherwise under any patent or patent rights of STMicroelectronics. Specifications mentioned in this publication are subject to change without notice. This publication supersedes and replaces all information previously supplied. STMicroelectronics products are not authorized for use as critical components in life support devices or systems without express written approval of STMicroelectronics.

© The ST logo is a registered trademark of STMicroelectronics

© 2000 STMicroelectronics - Printed in Italy - All Rights Reserved  
STMicroelectronics GROUP OF COMPANIES

Australia - Brazil - China - Finland - France - Germany - Hong Kong - India - Italy - Japan - Malaysia - Malta - Morocco  
Singapore - Spain - Sweden - Switzerland - United Kingdom

© <http://www.st.com>