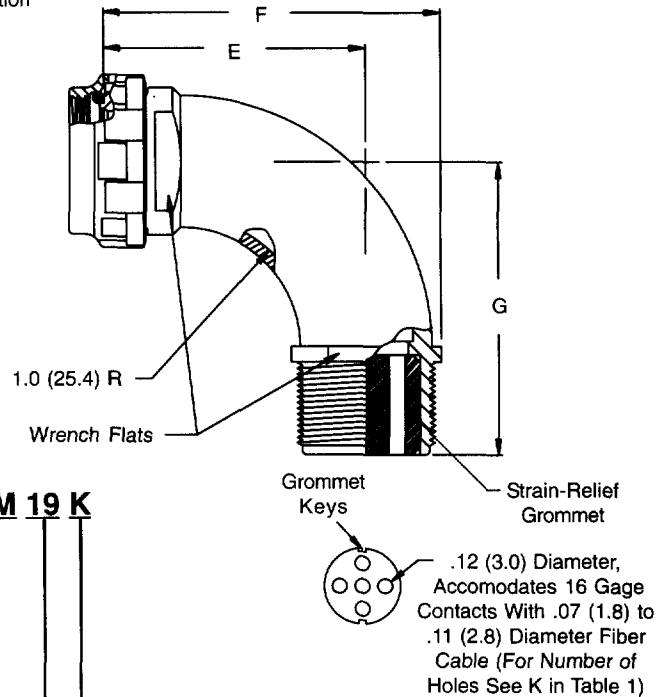
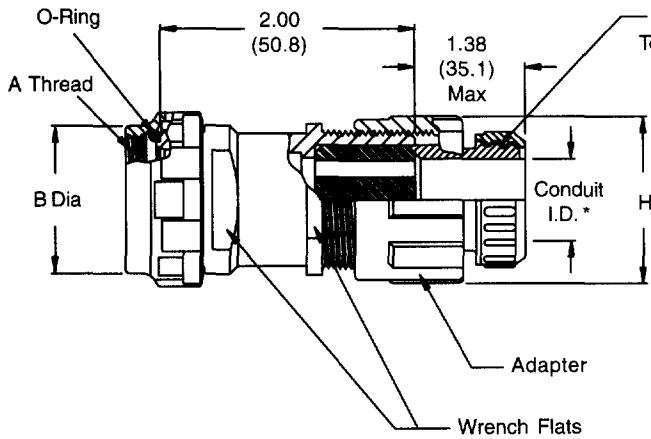


Composite MIL-DTL-38999, Series III FiberCon Conduit Adapter 377H-041



Fiber Optic Backshells



* Conduit I.D. Accommodates Glenair Series 74 Type A Convuluted Tubing, In Accordance With MIL-T-81914.

377 H S 041 XM 19 K

Product Series ————
 Connector Designator, MIL-DTL-38999, Series III ————
 Angular Function ————
 S = Straight
 W = 90° Elbow
 Basic Number ————
 Finish Symbol (Table I) ————
 Shell Size Designator (Table II) ————
 Add letter K for transition to accommodate PEEK® conduit material. Omit for standard Teflon® conduit material.

TABLE II: SHELL SIZE

Shell Size	A Thread ISO Metric	B Max	E ±.06 (1.5)	F ±.09 (2.3)	G ±.06 (1.5)	H Max	Conduit I.D. (Ref.)	K (# of Holes)*
11	M15 x 1 - 6H	.77 (19.6)	1.70 (43.2)	2.39 (60.7)	1.90 (48.3)	1.41 (35.8)	.28 (7.1)	2
13	M18 x 1 - 6H	.89 (22.6)	1.78 (45.2)	2.47 (62.7)	1.96 (49.8)	1.41 (35.8)	.28 (7.1)	4
15	M22 x 1 - 6H	1.03 (26.2)	1.82 (46.2)	2.51 (63.8)	2.02 (51.3)	1.41 (35.8)	.31 (7.9)	5
17	M25 x 1 - 6H	1.15 (29.2)	1.89 (48.0)	2.70 (68.6)	2.09 (53.1)	1.64 (41.7)	.44 (11.2)	8
19	M28 x 1 - 6H	1.28 (32.5)	1.93 (49.0)	2.74 (69.6)	2.13 (54.1)	1.64 (41.7)	.50 (12.7)	11
21	M31 x 1 - 6H	1.41 (35.8)	2.00 (50.8)	2.94 (74.7)	2.19 (55.6)	1.89 (48.0)	.50 (12.7)	16
23	M34 x 1 - 6H	1.53 (38.9)	2.08 (52.8)	3.02 (76.7)	2.25 (57.2)	1.89 (48.0)	.63 (16.0)	21
25	M37 x 1 - 6H	1.66 (42.2)	2.14 (54.4)	3.20 (81.3)	2.32 (58.9)	2.16 (54.9)	.75 (19.1)	29

* Use Glenair 687-142 seal plug in vacant holes

TABLE I: FINISH

XB No Plating - Black Material
XO No Plating - Base Material Non-conductive

Metric dimensions (mm) are in parentheses and are for reference only.