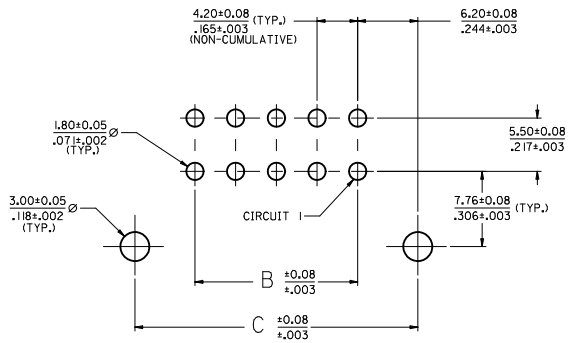
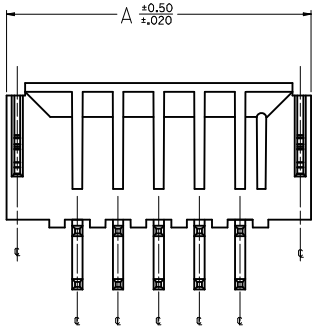
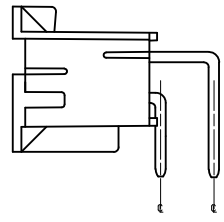


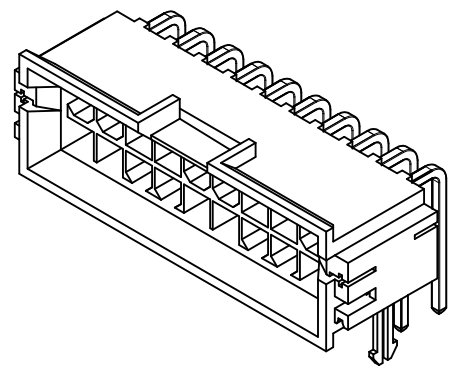
- NOTES
- MATERIALS
HOUSING: NYLON 4/6 UL 94V-0 GLASS FILLED, COLOR: BLACK
TERMINAL: BRASS
BOARD RETENTION CLIP: BRASS
 - FINISHES:
TERMINAL:
1-(0.00254)/.000100 MIN. BRIGHT TIN OVER
(0.00127)/.000050 MIN. NICKEL
2-(0.000761)/.000030 MIN. SELECT GOLD AND
(0.00254)/.000100 MIN. SELECT MATTE TIN
OVER (0.00127)/.000050 MIN. NICKEL OVERALL
MOUNTING CLIP:
(0.00254)/.000100 MIN. MATTE TIN OVER
(0.00127)/.000050 MIN. NICKEL
 - PRODUCT SPECIFICATION: PS-43810-001
 - PACKAGING SPECIFICATION: PK-43810-001
 - PARTS MATES WITH MOLEX RECEPTACLE #5557 AND #42474 AND #42385 HEADER
 - PART ALLOWS FOR (1.27)/.050 MAX MIS-ALIGNMENT WITH MATING HOUSINGS IN ANY DIRECTION
 - CONNECTOR ASSEMBLIES ARE NOT TO BE MATED AND UNMATED WHILE CIRCUITS ARE LIVE
 - PARTS ARE NOT DESIGNED FOR CURRENT SHARING
 - DISCOLORATION IN THE BANDOLIER CARRIER AREA OF THE PIN IS INHERENT TO THE PLATING PROCESS AND IS DUE TO THE MASKING EFFECT OF THE CARRIER. THIS DISCOLORATION IS IN A NON-FUNCTIONAL AREA OF THE PIN AND WILL NOT AFFECT THE PERFORMANCE OF THE HEADER ASSEMBLY.
 - PART CONFORMS TO CLASS 'B' REQUIREMENTS OF COSMETIC SPECIFICATION PS-45499-002
- ▲ FORMING MARKS ARE ACCEPTABLE



PCB LAYOUT: COMPONENT SIDE
RECOMMENDED PCB THICKNESS: 1.60±0.18
.063±.007



HEADER ASSEMBLY WITH NO CLIP OPTION



20 CKT SHOWN

CHANGE PLATING EC NO: UCP2012-1560 DRAWING/REV: 2012/01/20 CHKD: BELL APPR: FSMITH DATE: 2012/02/02	QUALITY SYMBOLS	GENERAL TOLERANCES (UNLESS SPECIFIED)	DIMENSION STYLE	SCALE	DESIGN UNITS	THIRD ANGLE PROJECTION	
	∇=0 ∇=0 ∇=0	mm INCH 4 PLACES ±--- ±--- 3 PLACES ±--- ±.010 2 PLACES ±.25 ±.014 1 PLACE ±.35 ±--- ANGULAR ±1/2°	MM/IN	4:1	METRIC	DRAWN BY: MANLAPAZ DATE: 01-06-97 CHECKED BY: BANDURA DATE: 03-26-97 APPROVED BY: FSMITH DATE: 2012/01/19	TITLE: MINI-FIT JR BMI RIGHT ANGLE HEADER ASM. FOR 1.6/.063 THK. PCB MOLEX INCORPORATED
	DRAFT WHERE APPLICABLE MUST REMAIN WITHIN DIMENSIONS	SEE CHART	MATERIAL NO.	DOCUMENT NO.	SHEET NO.		
			SD-43810-011	SD-43810-011	1 OF 2		

	20	19	18	17	16	15	14	13	12	11	10	9	8	7	6	5	4	3	2	1
	MATERIAL NO.	CIRCUIT SIZE	CLIP OPTION	DIM. 'A'	DIM. 'B'	DIM. 'C'	FINISH		MATERIAL NO.	CIRCUIT SIZE	CLIP OPTION	DIM. 'A'	DIM. 'B'	DIM. 'C'	FINISH					
M	43810-0001	4	YES	18.81 .740	4.20 .165	16.60 .653	I		43810-0199	4	NO	18.81 .740	4.20 .165	16.60 .653	I					
	43810-0002	6	YES	23.01 .906	8.40 .331	20.80 .819	I		43810-0200	6	NO	23.01 .906	8.40 .331	20.80 .819	I					
N	43810-0003	8	YES	27.21 1.071	12.60 .496	25.00 .984	I	N	43810-0201	8	NO	27.21 1.071	12.60 .496	25.00 .984	I					
L	43810-0004	10	YES	31.41 1.237	16.80 .661	29.20 1.150	I		43810-0202	10	NO	31.41 1.237	16.80 .661	29.20 1.150	I					
N	43810-0005	12	YES	35.61 1.402	21.00 .828	33.40 1.315	I	N	43810-0203	12	NO	35.61 1.402	21.00 .828	33.40 1.315	I					
	43810-0006	14	YES	39.81 1.567	25.20 .992	37.60 1.480	I		43810-0204	14	NO	39.81 1.567	25.20 .992	37.60 1.480	I					
K	43810-0007	16	YES	44.01 1.733	29.40 1.157	41.80 1.646	I	N	43810-0205	16	NO	44.01 1.733	29.40 1.157	41.80 1.646	I					
	43810-0008	18	YES	48.21 1.898	33.60 1.323	46.00 1.811	I		43810-0206	18	NO	48.21 1.898	33.60 1.323	46.00 1.811	I					
N	43810-0009	20	YES	52.41 2.063	37.80 1.488	50.20 1.976	I	N	43810-0207	20	NO	52.41 2.063	37.80 1.488	50.20 1.976	I					
J	43810-0010	22	YES	56.61 2.229	42.00 1.654	54.40 2.142	I	N	43810-0208	22	NO	56.61 2.229	42.00 1.654	54.40 2.142	I					
	43810-0011	24	YES	60.81 2.394	46.20 1.819	58.60 2.307	I		43810-0209	24	NO	60.81 2.394	46.20 1.819	58.60 2.307	I					
I	43810-0012	4	YES	18.81 .740	4.20 .165	16.60 .653	2		43810-0210	4	NO	18.81 .740	4.20 .165	16.60 .653	2					
	43810-0013	6	YES	23.01 .906	8.40 .331	20.80 .819	2		43810-0211	6	NO	23.01 .906	8.40 .331	20.80 .819	2					
N	43810-0014	8	YES	27.21 1.071	12.60 .496	25.00 .984	2	N	43810-0212	8	NO	27.21 1.071	12.60 .496	25.00 .984	2					
	43810-0015	10	YES	31.41 1.237	16.80 .661	29.20 1.150	2		43810-0213	10	NO	31.41 1.237	16.80 .661	29.20 1.150	2					
H	43810-0016	12	YES	35.61 1.402	21.00 .828	33.40 1.315	2	N	43810-0214	12	NO	35.61 1.402	21.00 .828	33.40 1.315	2					
	43810-0017	14	YES	39.81 1.567	25.20 .992	37.60 1.480	2		43810-0215	14	NO	39.81 1.567	25.20 .992	37.60 1.480	2					
N	43810-0018	16	YES	44.01 1.733	29.40 1.157	41.80 1.646	2	N	43810-0216	16	NO	44.01 1.733	29.40 1.157	41.80 1.646	2					
G	43810-0019	18	YES	48.21 1.898	33.60 1.323	46.00 1.811	2		43810-0217	18	NO	48.21 1.898	33.60 1.323	46.00 1.811	2					
	43810-0020	20	YES	52.41 2.063	37.80 1.488	50.20 1.976	2	N	43810-0218	20	NO	52.41 2.063	37.80 1.488	50.20 1.976	2					
N	43810-0021	22	YES	56.61 2.229	42.00 1.654	54.40 2.142	2	N	43810-0219	22	NO	56.61 2.229	42.00 1.654	54.40 2.142	2					
F	43810-0022	24	YES	60.81 2.394	46.20 1.819	58.60 2.307	2		43810-0220	24	NO	60.81 2.394	46.20 1.819	58.60 2.307	2					

N = NOT TOOLED

N = NOT TOOLED

SEE SHEET 1 IEC NO. UCP2012-1560 DRAWN BY: DRWNINGUEN CHYD:BELL APPROV:FSMTH 2012/01/20 2012/02/02	QUALITY SYMBOLS ▽=0 ▽=0 ▽=0	GENERAL TOLERANCES (UNLESS SPECIFIED)		DIMENSION STYLE MM/IN	SCALE 1:1	DESIGN UNITS METRIC	THIRD ANGLE PROJECTION
		4 PLACES ± mm ± INCH 3 PLACES ± --- ± .010 2 PLACES ± 0.25 ± .014 1 PLACE ± 0.35 ± ---		DRAWN BY: MANLAPAZ DATE: 01-06-97	CHECKED BY: BANDURA DATE: 03-26-97	TITLE MINI-FIT JR BMI RIGHT ANGLE HEADER ASM. FOR 1.6/063 THK. PCB	
		ANGULAR ±1/2°		APPROVED BY: FSMTH DATE: 2012/01/19	MATERIAL NO. SD-43810-011 DOCUMENT NO.		SHEET NO. 2 OF 2
		DRAFT WHERE APPLICABLE MUST REMAIN WITHIN DIMENSIONS		SEE CHART		THIS DRAWING CONTAINS INFORMATION THAT IS PROPRIETARY TO MOLEX INCORPORATED AND SHOULD NOT BE USED WITHOUT WRITTEN PERMISSION	