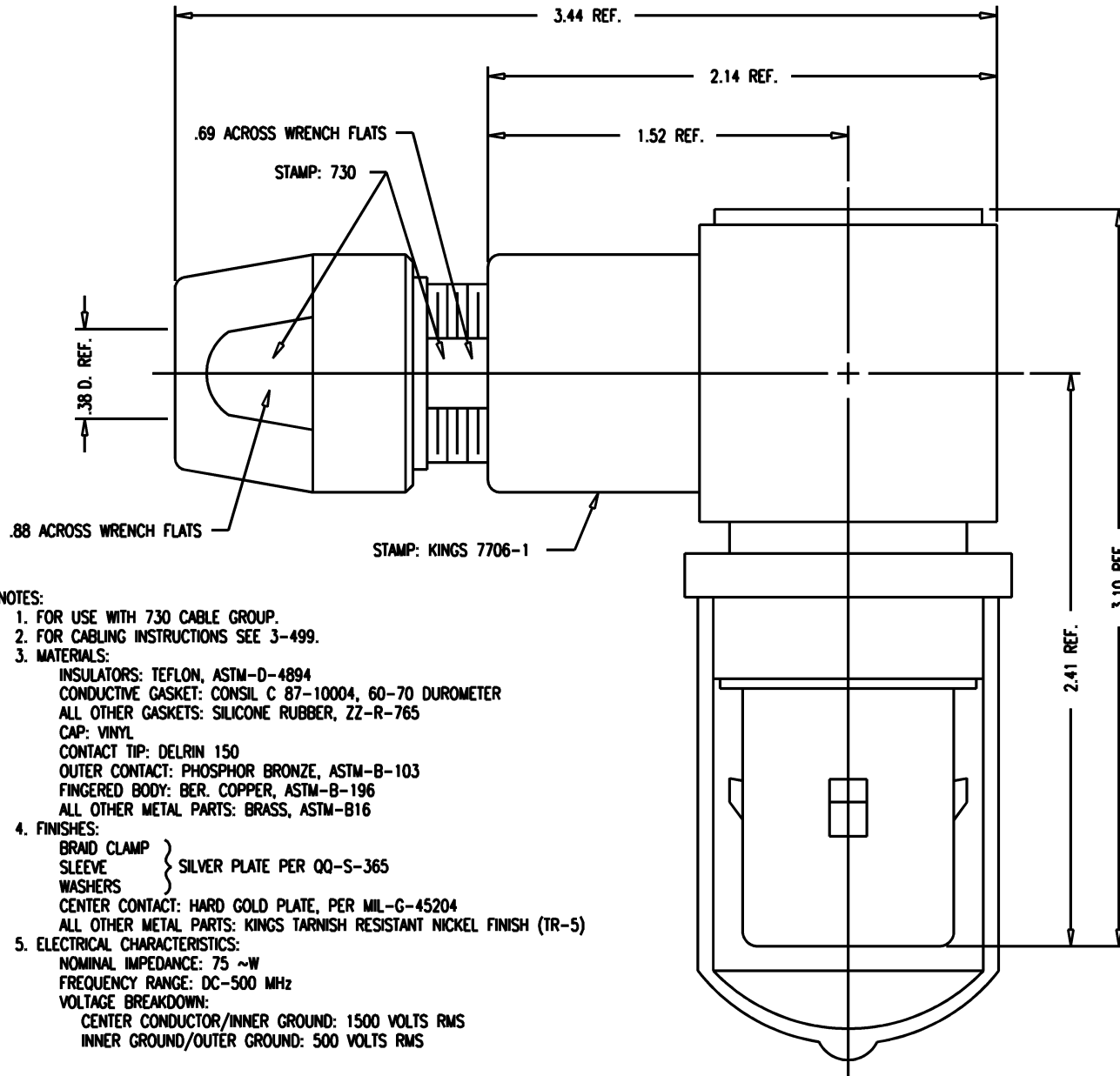


SD



## NOTES:

- FOR USE WITH 730 CABLE GROUP.
- FOR CABLING INSTRUCTIONS SEE 3-499.
- MATERIALS:
  - INSULATORS: TEFLON, ASTM-D-4894
  - CONDUCTIVE GASKET: CONSIL C 87-10004, 60-70 DUROMETER
  - ALL OTHER GASKETS: SILICONE RUBBER, ZZ-R-765
  - CAP: VINYL
  - CONTACT TIP: DELRIN 150
  - OUTER CONTACT: PHOSPHOR BRONZE, ASTM-B-103
  - FINGERED BODY: BR. COPPER, ASTM-B-196
  - ALL OTHER METAL PARTS: BRASS, ASTM-B16
- FINISHES:
  - BRAID CLAMP } SILVER PLATE PER QQ-S-365
  - SLEEVE } SILVER PLATE PER QQ-S-365
  - WASHERS } SILVER PLATE PER QQ-S-365
  - CENTER CONTACT: HARD GOLD PLATE, PER MIL-G-45204
  - ALL OTHER METAL PARTS: KINGS TARNISH RESISTANT NICKEL FINISH (TR-5)
- ELECTRICAL CHARACTERISTICS:
  - NOMINAL IMPEDANCE: 75  $\sim$ W
  - FREQUENCY RANGE: DC-500 MHz
  - VOLTAGE BREAKDOWN:
    - CENTER CONDUCTOR/INNER GROUND: 1500 VOLTS RMS
    - INNER GROUND/OUTER GROUND: 500 VOLTS RMS

7706-1

## REVISIONS

ISSUE	CHANGES
0	ER 35445 ME 04/21/95
1	CN 37652 A HVN 08/18/98
2	CN 37692 C HVN 10/05/98
3	CN 38864 E JPK 06/03/03

7706-1SD

SCALE 2:1

APPROX SURFACE AREA

USED ON

REF: KP-8013-730-400

PLUG, ANGLE, TRI-LOC  
SERIAL DIGITAL

DRAWN	ME	DATE	04/21/95
DESIGN	DW	DATE	04/22/95
APPR.		DATE	

**KINGS**  
ELECTRONICS CO., INC.  
ROCK HILL, SOUTH CAROLINA 29730

7706-1

SD