

PLEASE CHECK WWW.MOLEX.COM FOR LATEST PART INFORMATION

Part Number: [0945509303](#)
Status: **Active**
Overview: [rast 5 connector system](#)
Description: 5.00mm (.197") Pitch, Rast 5, PA Polyamide (Nylon) 6/6, UL 94V-2, 3 Circuits, Natural

Documents:

[3D Model](#) [RoHS Certificate of Compliance \(PDF\)](#)
[Drawing \(PDF\)](#)

Agency Certification

CSA LR19980
 UL E29179

General

Product Family Crimp Housings
 Series [94550](#)
 Overview [rast 5 connector system](#)
 Product Name RAST 5

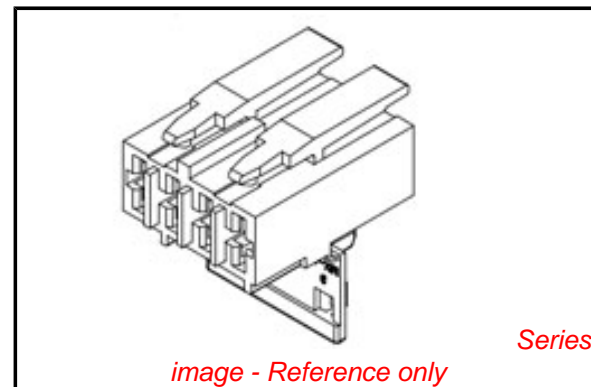
Physical

Breakaway No
 Circuits (maximum) 3
 Color - Resin Natural
 Flammability 94V-0
 Gender Female
 Glow-Wire Compliant No
 Lock to Mating Part Yes
 Material - Resin Nylon
 Number of Rows 1
 Packaging Type Bag
 Panel Mount No
 Pitch - Mating Interface (in) 0.197 In
 Pitch - Mating Interface (mm) 5.00 mm
 Pitch - Term. Interface (in) 0.197 In
 Pitch - Term. Interface (mm) 5.00 mm
 Polarized to Mating Part Yes
 Ports 1
 Stackable No
 Temperature Range - Operating -40°C to +85°C

Material Info

Reference - Drawing Numbers

Sales Drawing SD-94550-029
 Test Summary TS-94550-002



EU RoHS

**ELV and RoHS
 Compliant
 REACH SVHC
 Not Reviewed
 Halogen-Free
 Status
 Not Reviewed**

China RoHS



**Need more information on product
 environmental compliance?**

Email productcompliance@molex.com
 For a multiple part number RoHS Certificate of
 Compliance, [click here](#)

Please visit the [Contact Us](#) section for any
 non-product compliance questions.

Search Parts in this Series

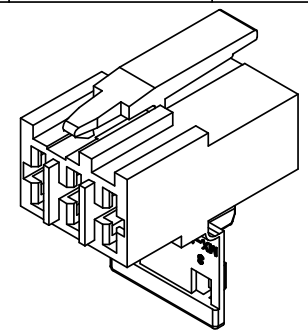
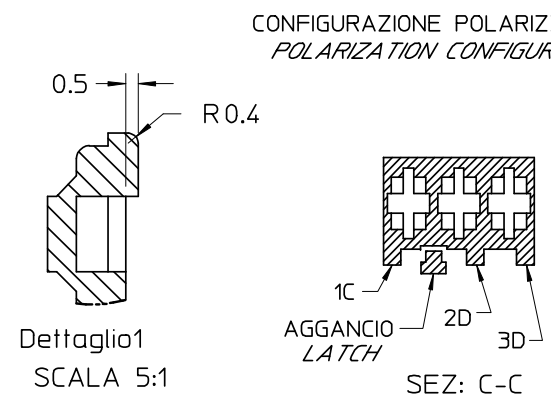
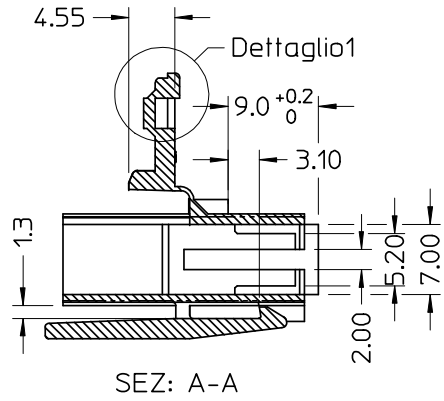
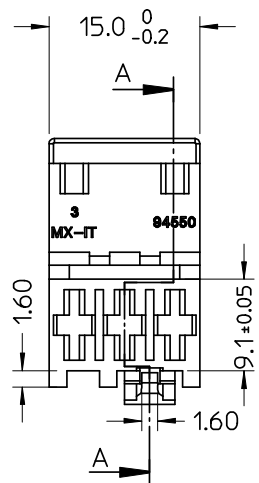
[94550Series](#)

Mates With

Rast 5 Headers, [90858](#) Vertical Header,
[90879](#) Right Angle Header

Use With

[94518](#) Crimp Terminal, [94549](#) Crimp
 Terminal



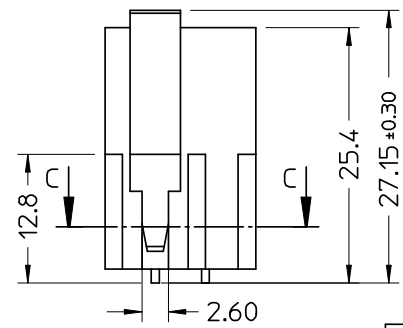
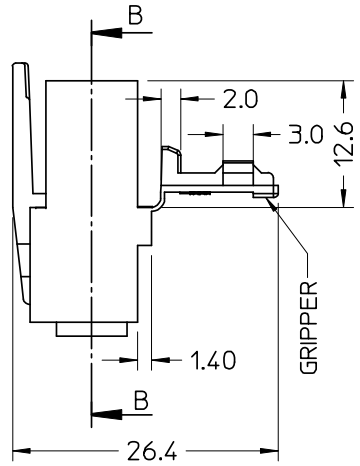
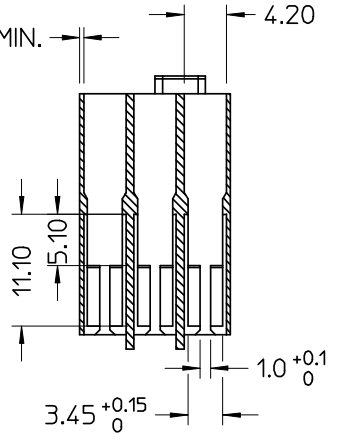
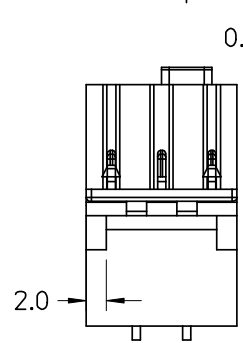
NOTE:

- USATO CON TERMINALE 94518-0XXX E 94549-0XXX
- SPECIFICA DI RIFERIMENTO PER IL CONNETTORE PS-94550-001
- PER CARATTERISTICHE DI CRIMPATURA RIF. SD-94518-005 E SD-94549-001
- FORZA DI DISACCOPIAMENTO CONNETTORE (TRAZIONANDO DAI CAVI SENZA AZIONARE L'AGGANCIO): 40 N MIN.
- SPESSORE MINIMO PARETI CONNETTORE 0.40 mm.

NOTE:

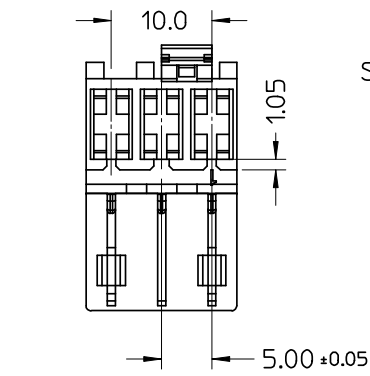
- USED WITH TERMINALS 94518-0XXX AND 94549-0XXX
- REFER TO PS-94550-001 FOR CONNECTOR SPECIFICATION
- REFER TO SD-94518-005 AND SD-94549-001 FOR CRIMPING CHARACTERISTICS
- CONNECTOR DISENGAGEMENT FORCE (PULLING BY THE WIRES, WITHOUT ACTUATING THE LATCH): 40 N MIN.
- MINIMUM CONNECTOR WALL THICKNESS 0.40 mm.

CONFEZIONE: Box da 2200 Pz.
PACKAGING: 2200 pcs in carton box



AGENCY
RECOGNIZATIONS
CSA (file LR19980)
UL (file E-29179)

P/N	MATERIAL/COLOR
94550-9303	NYLON 6.6 VO NATURAL



SPQ =2200

Std. Descr: "HSG W/SEC LOCK AND EXT LATCH 3 CKT _____ COLOR"

EC NO: Z2006-0060 DRWN: FGOTTARD 2005/10/19 CHKD: RSANDANO 2005/10/19 APPR: GZUIN 2005/10/21	QUALITY SYMBOLS ▽ = 0 ▽ = 0	GENERAL TOLERANCES (UNLESS SPECIFIED)	SCALE 2:1	DESIGN UNITS METRIC	FIRST ANGLE PROJECTION	REVISE ON CAD ONLY
		4 PLACES ± --- ± --- 3 PLACES ± --- ± --- 2 PLACES ± 0.10 ± --- 1 PLACE ± 0.2 ± ---	DIMENSION STYLE MM ONLY	TITLE HSG 3 CKT WITH SEC. LOCK AND EXTERNAL LATCH		
		ANGULAR ± 2 ° DRAFT WHERE APPLICABLE MUST REMAIN WITHIN DIMENSIONS	DRAWN BY FGOTTARD CHECKED BY RSANDANO APPROVED BY GZUIN	DATE 2005/10/18 DATE 2005/10/18 DATE 2005/10/18	MOLEX INCORPORATED MATERIAL NO. SEE TABLE DOCUMENT NO. SD-94550-029	
		THIS DRAWING CONTAINS INFORMATION THAT IS PROPRIETARY TO MOLEX INCORPORATED AND SHOULD NOT BE USED WITHOUT WRITTEN PERMISSION	SHEET NO. 1 OF 1	A3		