

PLEASE CHECK WWW.MOLEX.COM FOR LATEST PART INFORMATION

Part Number: [0945504482](#)
Status: **Active**
Overview: [rast 5 connector system](#)
Description: 5.00mm (.197") Pitch, Rast 5, PA Polyamide (Nylon) 6/6, UL 94V-2, 2 Circuits, Black, Glow Wire Compatible

Documents:

[3D Model](#) [Product Specification PS-94550-001 \(PDF\)](#)
[Drawing \(PDF\)](#) [RoHS Certificate of Compliance \(PDF\)](#)

General

Product Family Crimp Housings
 Series [94550](#)
 Overview [rast 5 connector system](#)
 Product Name RAST 5

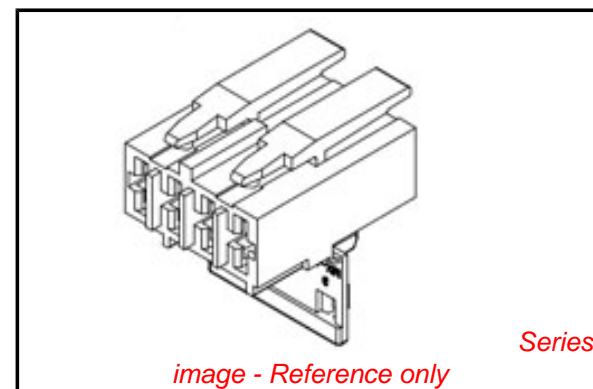
Physical

Breakaway No
 Circuits (maximum) 2
 Color - Resin Black
 Gender Female
 Glow-Wire Compliant Yes
 Lock to Mating Part Yes
 Material - Resin Nylon
 Number of Rows 1
 Packaging Type Bag
 Panel Mount No
 Pitch - Mating Interface (in) 0.197 In
 Pitch - Mating Interface (mm) 5.00 mm
 Pitch - Term. Interface (in) 0.197 In
 Pitch - Term. Interface (mm) 5.00 mm
 Polarized to Mating Part Yes
 Ports 1
 Stackable No
 Temperature Range - Operating -40°C to +85°C

Material Info

Reference - Drawing Numbers

Product Specification PS-94550-001
 Sales Drawing SD-94550-014
 Test Summary TS-94550-002



EU RoHS

ELV and RoHS Compliant
REACH SVHC
 Not Reviewed
Halogen-Free Status
Not Reviewed

China RoHS



Need more information on product environmental compliance?

Email productcompliance@molex.com
 For a multiple part number RoHS Certificate of Compliance, [click here](#)

Please visit the [Contact Us](#) section for any non-product compliance questions.

Search Parts in this Series

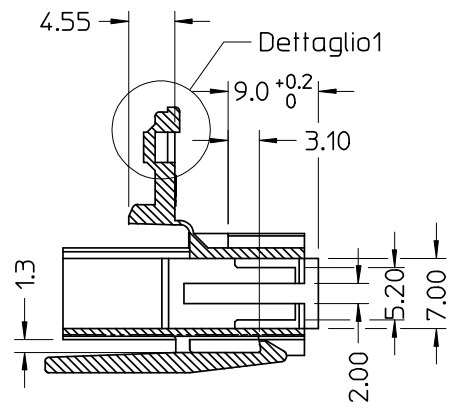
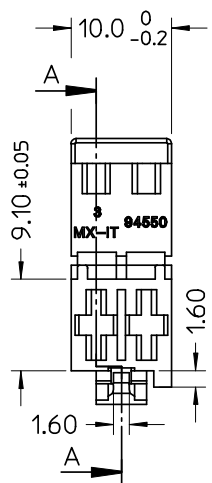
[94550Series](#)

Mates With

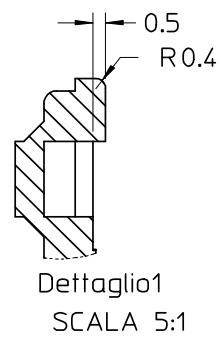
Rast 5 Headers, [90858](#) Vertical Header, [90879](#) Right Angle Header

Use With

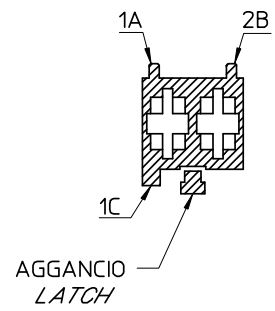
[94518](#) Crimp Terminal, [94549](#) Crimp Terminal



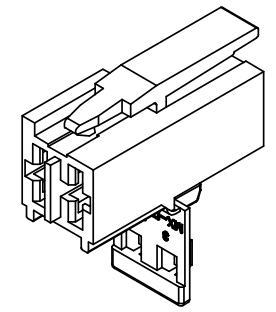
SEZ: A-A



CONFIGURAZIONE POLARIZZAZIONI
POLARIZATION CONFIGURATION



SEZ: C-C

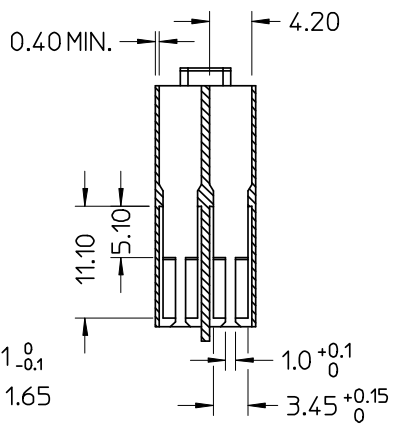
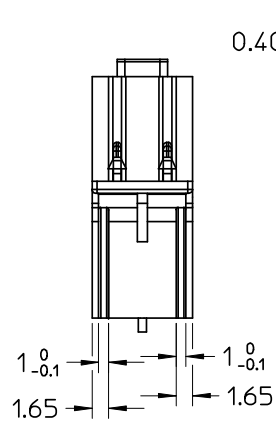


- NOTE:
- USATO CON TERMINALE 94518-0XXX E 94549-0XXX
 - SPECIFICA DI RIFERIMENTO PER IL CONNETTORE PS-94550-001
 - PER CARATTERISTICHE DI CRIMPATURA RIF. SD-94518-005 E SD-94549-001
 - FORZA DI DISACCOUPLAMENTO CONNETTORE (TRAZIONANDO DAI CAVI SENZA AZIONARE L'AGGANCIO): 40 N MIN.
 - SPESSORE MINIMO PARETI CONNETTORE 0.40 mm.

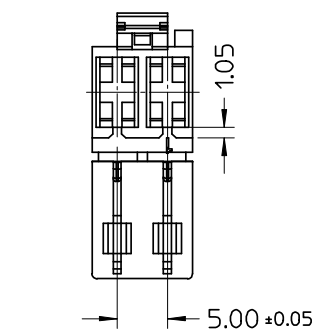
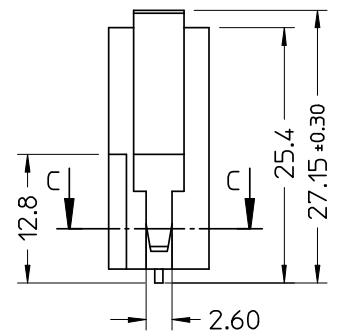
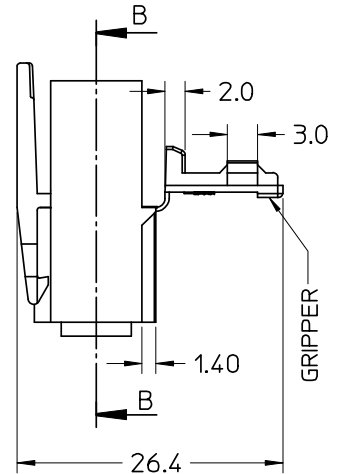
- NOTE:
- USED WITH TERMINALS 94518-0XXX AND 94549-0XXX
 - REFER TO PS-94550-001 FOR CONNECTOR SPECIFICATION
 - REFER TO SD-94518-005 AND SD-94549-001 FOR CRIMPING CHARACTERISTICS
 - CONNECTOR DISENGAGEMENT FORCE (PULLING BY THE WIRES, WITHOUT ACTUATING THE LATCH): 40 N MIN.
 - MINIMUM CONNECTOR WALL THICKNESS 0.40 mm.

P/N	MATERIAL/COLOR
94550-8482	NYLON 6.6 V2 BLACK
94550-4482	NYLON 6.6 GWT 750 °C sec.IEC 60335-1 TEST METHOD IEC 60695-2-11 BLACK

CONFEZIONE: Box da 3500 Pz.
PACKAGING: 3500 pcs in carton box



SEZ: B-B



SPQ = 3500

Std. Descr.: HSG W/SEC LOCK AND EXT LATCHES 2 CKT _____ COLOR"

EC NO: Z2006-0107 DRWN: FGOTTARD 2005/12/20 CHKD: RSANDANO 2005/12/20 APPR: GZUIN 2006/01/09	QUALITY SYMBOLS	GENERAL TOLERANCES (UNLESS SPECIFIED)	SCALE 2:1	DESIGN UNITS METRIC	FIRST ANGLE PROJECTION	REVISE ON CAD ONLY	
	▲ = 0 ▽ = 0	mm INCH 4 PLACES ± --- ± --- 3 PLACES ± --- ± --- 2 PLACES ± 0.10 ± --- 1 PLACE ± 0.2 ± ---	DIMENSION STYLE MM ONLY		TITLE HSG 2 CKT WITH SEC. LOCK AND EXTERNAL LATCH		
		ANGULAR ± 2 °	DRAWN BY FGOTTARD	DATE 2004/03/08	MOLEX INCORPORATED MATERIAL NO. SEE TABLE DOCUMENT NO. SD-94550-014 SHEET NO. 1 OF 1		
		DRAFT WHERE APPLICABLE	CHECKED BY RSANDANO	DATE 2004/03/08			
MUST REMAIN WITHIN DIMENSIONS	THIS DRAWING CONTAINS INFORMATION THAT IS PROPRIETARY TO MOLEX INCORPORATED AND SHOULD NOT BE USED WITHOUT WRITTEN PERMISSION		A3				