

PLEASE CHECK WWW.MOLEX.COM FOR LATEST PART INFORMATION

Part Number: [0475780006](#)
Status: **Active**
Description: Cover for Mobile Phone Camera Socket, 6x6, Top Mount, Stainless Steel, Lead free

Documents:

[3D Model](#) [RoHS Certificate of Compliance \(PDF\)](#)
[Drawing \(PDF\)](#)

General

Product Family	Other Sockets
Series	47578
Component Type	Cover
Product Name	Camera Socket Cover

Physical

Circuits (Loaded)	0
Circuits (maximum)	0
Durability (mating cycles max)	Contact Molex
Entry Angle	Bottom Entry
Keying to Mating Part	N/A
Material - Metal	Stainless Steel
Material - Plating Mating	Unplated
Material - Plating Termination	Unplated
PCB Locator	No
PCB Retention	N/A
Packaging Type	Tray
Pitch - Mating Interface (in)	0.000 In
Pitch - Mating Interface (mm)	0.00 mm
Pitch - Term. Interface (in)	0.000 In
Pitch - Term. Interface (mm)	0.00 mm

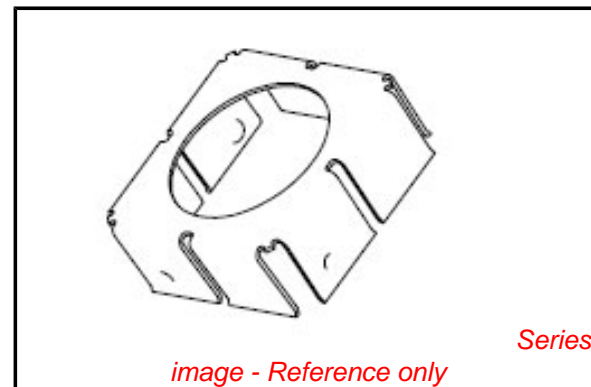
Electrical

Current - Maximum per Contact	N/A
Voltage - Maximum	N/A

Material Info

Reference - Drawing Numbers

Sales Drawing	SD-47578-006
---------------	--------------



EU RoHS

**ELV and RoHS
Compliant**
**REACH SVHC
Not Reviewed**
**Halogen-Free
Status
Not Reviewed**

China RoHS



**Need more information on product
environmental compliance?**

Email productcompliance@molex.com
 For a multiple part number RoHS Certificate of
 Compliance, [click here](#)

Please visit the [Contact Us](#) section for any
 non-product compliance questions.

Search Parts in this Series

[47578Series](#)

Use With

[47578-0001](#) Camera Socket

10 9 8 7 6 5 4 3 2 1

F

E

D

C

B

A

F

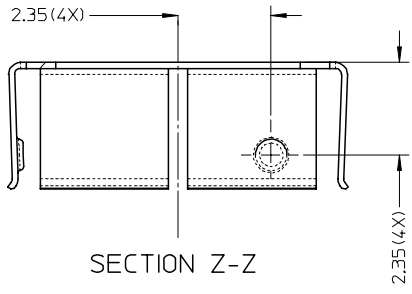
E

D

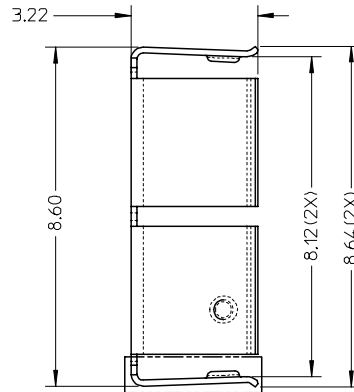
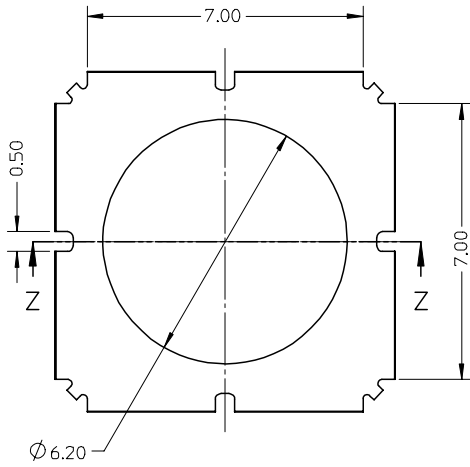
C

B

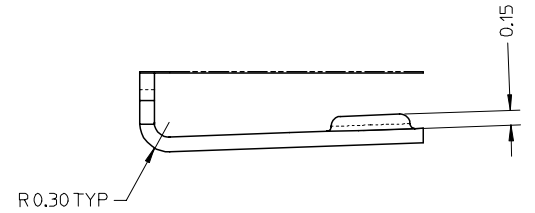
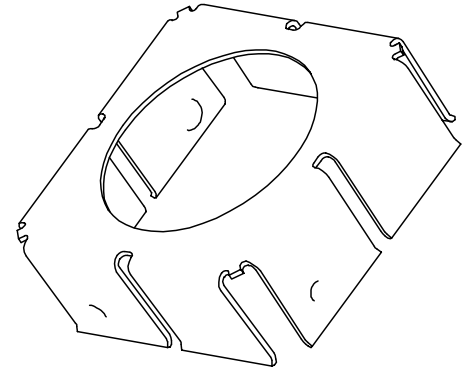
A



SECTION Z-Z



DETAIL1



DETAIL1

NOTES:

- 1.MATERIAL:STAINLESS STEEL, THICKNESS 0.15MM.
- 2.FINISHED: UNPLATING.

RELEASE EC NO: SH2007-0799 DRWN: IHE CHKD: XIXU APPR: JNCHEN	2007/05/11 2007/05/11 2007/05/15	QUALITY SYMBOLS ▽=4 ▽=0	GENERAL TOLERANCES (UNLESS SPECIFIED)		DIMENSION STYLE MM ONLY		SCALE 8:1	DESIGN UNITS METRIC	THIRD ANGLE PROJECTION		
			4 PLACES ± --- ± ---	DRAWN BY DATE IVAN HE 2006/11/06		TITLE TOP COVER FOR CAMERA SOCKET 6X6 (TOP MOUNT)					
			3 PLACES ± --- ± ---	CHECKED BY DATE XIXU 2006/11/06							
			2 PLACES ± 0.15 ± ---	APPROVED BY DATE JNCHEN 2006/11/06		MOLEX INCORPORATED					
		1 PLACE ± 0.25 ± ---	MATERIAL NO. 475780006		DOCUMENT NO. SD-47578-006						SHEET NO. 1 OF 1
		ANGULAR ± 2 °		DRAFT WHERE APPLICABLE MUST REMAIN WITHIN DIMENSIONS		THIS DRAWING CONTAINS INFORMATION THAT IS PROPRIETARY TO MOLEX INCORPORATED AND SHOULD NOT BE USED WITHOUT WRITTEN PERMISSION					

9 8 7 6 5 4 3 2 1