

PLEASE CHECK WWW.MOLEX.COM FOR LATEST PART INFORMATION

Part Number: [0351009002](#)
Status: **Active**
Description: Crimp Terminal 35100, Reel, Tin (Sn) Brass Tin (Sn)

Documents:

[Drawing \(PDF\)](#) [RoHS Certificate of Compliance \(PDF\)](#)
[Product Specification PS-35241-003 \(PDF\)](#)

General

Product Family	Crimp Terminals
Series	35100
Crimp Quality Equipment	Yes
Product Name	N/A

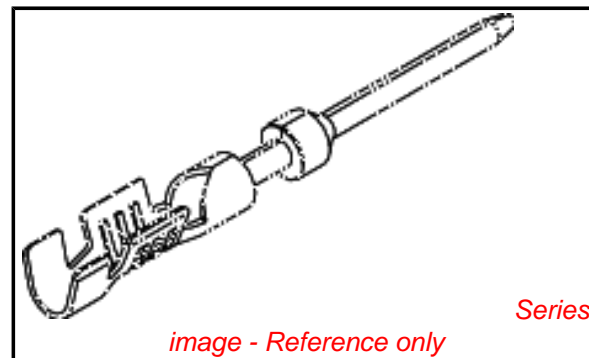
Physical

Gender	Male
Material - Metal	Brass
Material - Plating Mating	Tin
Packaging Type	Reel
Termination Interface: Style	Crimp or Compression
Wire Insulation Diameter	2.83 mm Max (.111" Max)
Wire Size AWG	18, 22
Wire Size mm ²	N/A

Material Info

Reference - Drawing Numbers

Product Specification	PS-35241-003
Sales Drawing	SD-35100-9002



EU RoHS

**ELV and RoHS
Compliant**
**REACH SVHC
Contains SVHC: No**
**Halogen-Free
Status
Halogen-Free**

China RoHS



**Need more information on product
environmental compliance?**

Email productcompliance@molex.com
 For a multiple part number RoHS Certificate of Compliance, [click here](#)

Please visit the [Contact Us](#) section for any non-product compliance questions.

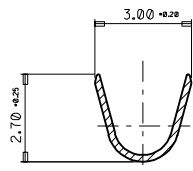
Search Parts in this Series

[35100Series](#)

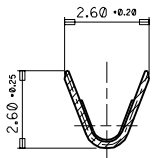
Use With

[35242 Housing](#)

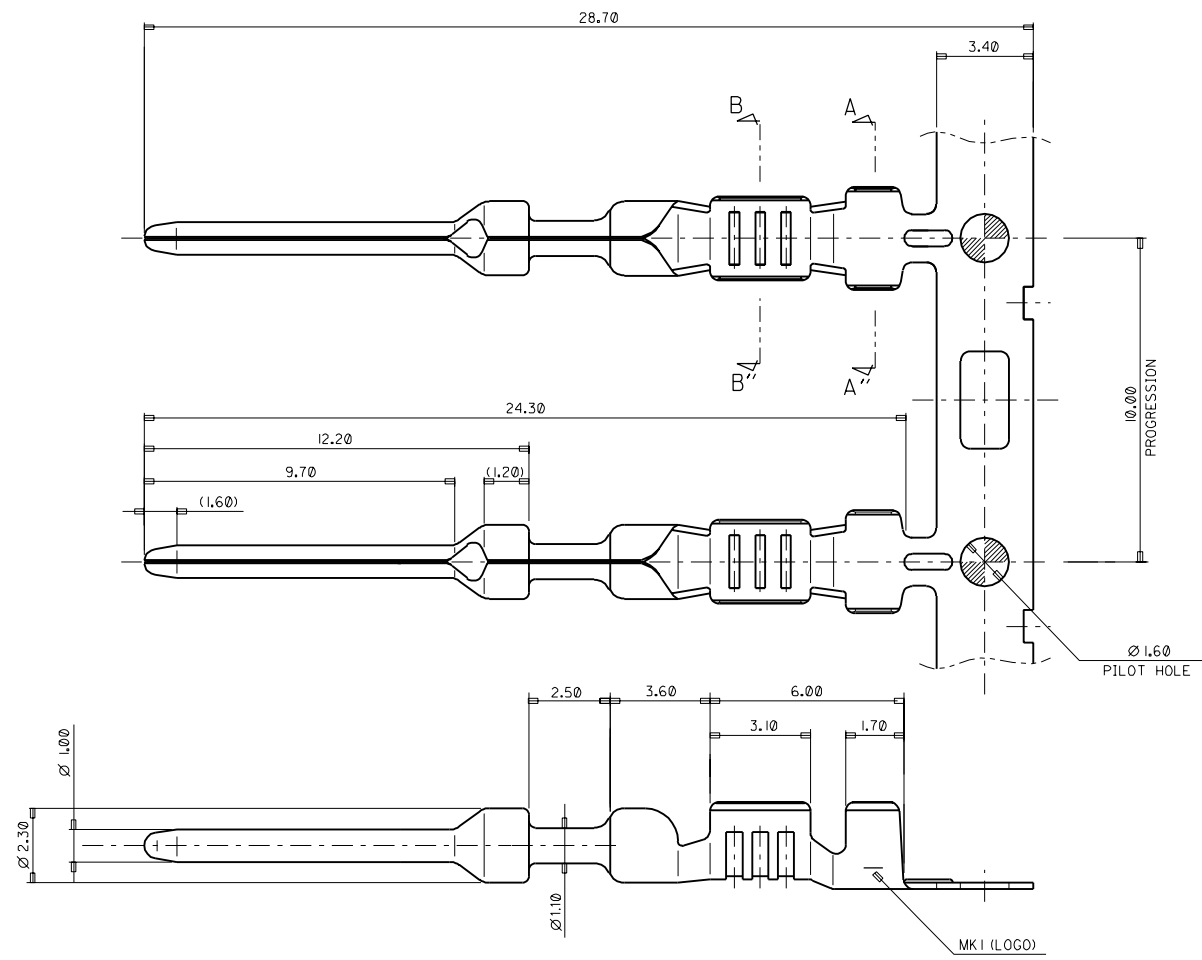
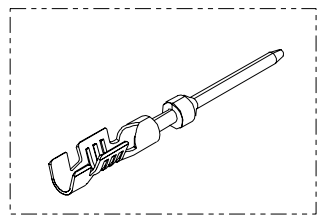
PROJECT NO. EDP NO. SIMILAR ITEM ENG. NO. SD 35100-9002



SECTION A-A''



SECTION B-B''



NOTE

1. MATERIAL: BRASS 0.25 mm THICKNESS.
PRE-TIN PLATE
2. RECOMMENDED LENGTH OF WIRE STRIP: 4.0 ~ 4.6.
3. WIRE RANGE: AVSS(AVS), 0.3 ~ 0.85 mm²
AWG, #22 ~ #8

		MATERIAL SEE NOTE		MOLEX MOLEX-KOREA CO.,LTD.	
		GENERAL TOLERANCE		DRAWN BY B.C.YOON	
		DIMENSION : ± 0.3		CHK'D BY	
		ANGLE : 1°		APP'D BY	
		DIMENSION CLASSIFICATION		SCALE 10:1	
		▽ : CRITICAL		TITLE : CIRCULOCK MALE TER'L	
		() : REFERENCE		SHEET 1/1	
A		NEW RELEASED		REV	
LTR		REVISION RECORD		ENG. NO. SD 35100 - 9002	
		ECN		DATE	
		DESCRIPTION		ASS'Y PART	
		ENG. NO.		REV	
REVISE ONLY ON CAD SYSTEM					