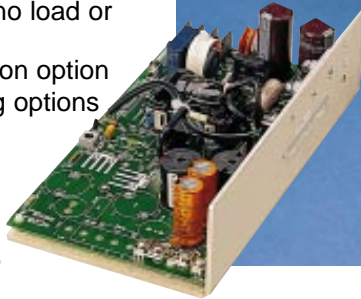
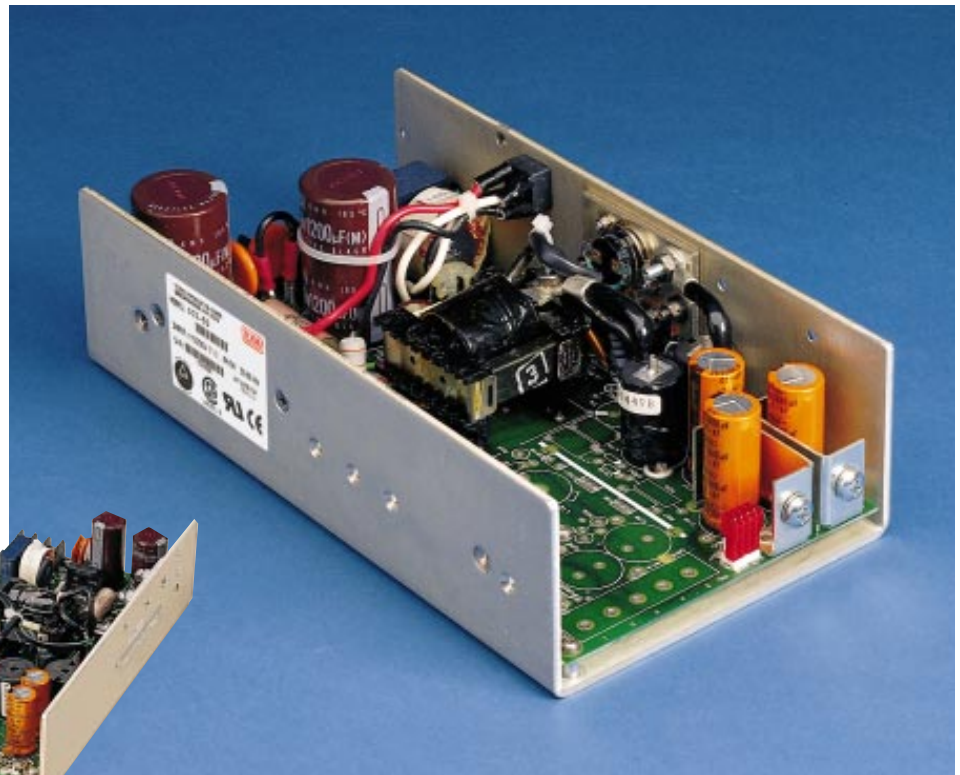


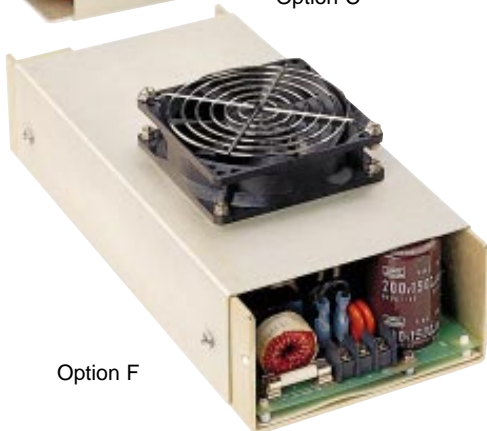
**SC-100**    **SC-350**  
**SC-150**    **SC-360**  
**SC-165**    **SC-500**  
**SC-180**    **SC-520**  
**SC-250**

**Featuring:**

- Output voltages from 3.3 V to 48 V
- Power density to 3.6 watts/in<sup>3</sup>
- Meets international safety agency requirements
- Remote sense, thermal protection, and OVP
- Cannot be damaged by no load or low line conditions
- AC automatic line selection option
- System air or self cooling options
- Available in 48 Vdc input



Option C



Option F

**STANDARD SC SERIES**

**150 WATTS 9" x 5" x 2.5" L FRAME**

MODEL	OUTPUT RATING	PWR OUT
SC-3.3-30	3.3V @ 30A	100
SC-5-30	5V @ 30A	150
SC-12-15	12V @ 15A	180
SC-15-12	15V @ 12A	180
SC-24-7.5	24V @ 7.5A	180
SC-28-6.5	28V @ 6.5A	180
SC-48-3.7	48V @ 3.7A	180

**250 WATTS 9" x 5" x 2.5"**

MODEL	OUTPUT RATING	PWR OUT
SC-3.3-50	3.3V @ 50A	165
SC-5-50	5V @ 50A	250
SC-12-21	12V @ 21A	250
SC-15-17	15V @ 17A	250
SC-24-11	24V @ 11A	250
SC-28-9	28V @ 9A	250
SC-48-5.5	48V @ 5.5A	250

**350 WATTS 11.5" x 5" x 2.5"**

MODEL	OUTPUT RATING	PWR OUT
SC-5-70	5V @ 70A	350
SC-12-30	12V @ 30A	360
SC-15-24	15V @ 24A	360
SC-24-15	24V @ 15A	360
SC-28-13	28V @ 13A	360
SC-48-8	48V @ 8A	360

**500 WATTS 11.5" x 5" x 2.5"**

MODEL	OUTPUT RATING	PWR OUT
SC-5-100	5V @ 100A	500
SC-12-42	12V @ 42A	500
SC-15-34	15V @ 34A	500
SC-24-21	24V @ 21A	500
SC-28-18	28V @ 18A	500
SC-48-11	48V @ 11A	520

Consider this series of single output switching power supplies for the design of your high end OEM products ranging from process controls to sophisticated telecommunications systems.

Incorporating Condor design features such as surface mount components and single PCB construction for high reliability, these switchers are rugged enough to

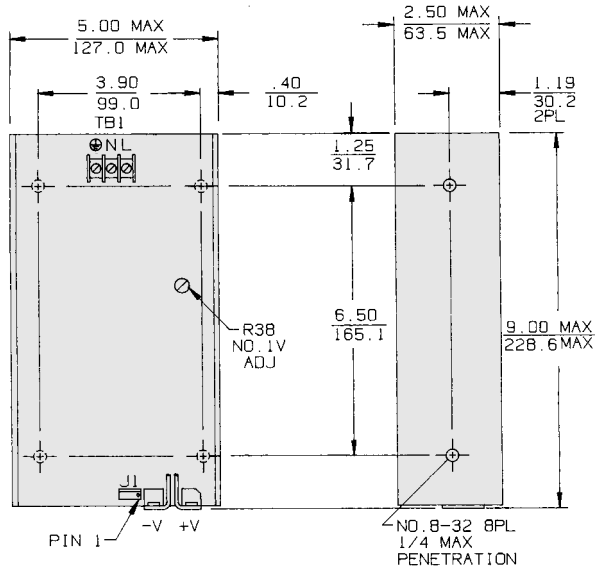
withstand the harsh environments that typify industrial control applications. They also incorporate the sophistication and advance design features needed to power computer and telecommunications systems.

Check out the specifications of this series, your single choice for single output switchers.

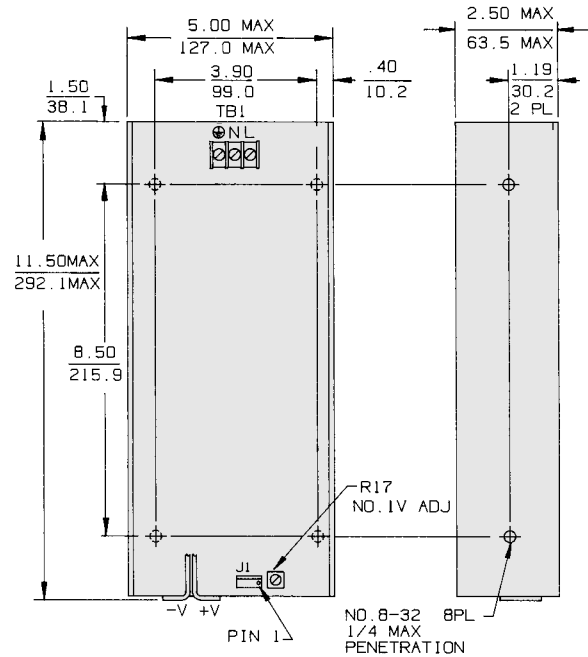
100, 150, 165, 180, 250 WATTS  
 9" x 5" x 2.5"  
 SC-100, 150, 180, 250

350, 360, 500, 520 WATTS  
 11.5" x 5" x 2.5"  
 SC-350, 360, 500, 520

**SC-100, 150, 165, 180, 250**  
 2.0 lbs - 0.9 kgs



**SC-350, 360, 500, 520**  
 3.8 lbs - 1.7 kgs



Dimensions: Inches  
 Millimeters

**SPECIFICATIONS: ALL MODELS**

**INPUT**

**AC Input:** 90-132 Vac/180-264 Vac, 47 to 63 Hz. User selectable. See option "A" for automatic line selection. 150 watt units fused for 7 A. 250 watt units fused for 10 A. 350 and 500 watt units fused for 15 A.  
**Inrush:** Cold start AC current is less than 16 A at 115 Vac and 32 A at 230 Vac for 150 watt models; 10 A at 115 Vac and 18 A at 230 Vac for 250 watt models; 80 A at 115 Vac and 20 A at 230 Vac for 350 and 500 watt models. Limited by thermistor.  
**Holdup Time:** 16 ms minimum after removal of power, at nominal line, full load.  
**Efficiency:** 80% typical.  
**Brownout Protection:** Holds regulation to 85 Vac or 170 Vac.

**OUTPUT**

**Adjustability:** User adjustable  $\pm 10\%$  minimum.  
**Line & Load Reg:**  $\pm 1\%$  over AC input range and 0 to 100% load change.  
**Ripple & Noise:** Less than 1% p-p or 100 mV, whichever is greater.  
**Remote Sense:** Compensates for 250 mV total line drop. Open sense lead protection.  
**Temperature Coefficient:** 0.02% per degree C.  
**Stability:** 0.1% over 8 hours after 30 minutes warm-up.  
**Transient Response:** Output voltage returns to within 1% in less than 500  $\mu$ s for a 50% load change. Peak transient does not exceed 5%.  
**Overload Protection:** All outputs are protected against overload and short circuit. Automatic recovery upon removal of fault.  
**Overvoltage Protection:** Protects load against power supply induced overvoltage. Trip point is factory set so that output voltage cannot exceed 136% of nominal.  
**Remote Inhibit:** Contact closure to the negative sense line drops output power to nominal zero. Not available in 150 or 180 watt units.  
**Reverse Voltage:** Protected against reverse voltage up to supply current rating.

**ENVIRONMENTAL**

**Thermal Protection:** Shuts down power supply if overheated. Automatic recovery.  
**Temperature Range:** 0° to 50°C at full ratings. Derate to half power at 70 °C.  
**Safety Agencies:** Most models are approved to UL1950; CSA 22.2 #234; IEC 950 and TÜV EN60950, Class 1 SELV., CE 72/23/EEC/93/68EEC (low voltage directive).  
**Conducted RFI:** Meets FCC Part 15, Subpart J, Class A; EN55022 Class B; CISPR 22 Class B.  
**Output Isolation:** Isolated from ground 50 Vdc, except 100 Vdc for 48 Vdc models.  
**Cooling:** 30 CFM required to achieve full ratings.

**OPTIONS:**

**Option "A", AC Auto-Range:** Automatically selects proper AC line voltage range to enable power operation at either 115 or 230 Vac without user intervention.  
**Option "C", Cover\*:** Limits contact with power supply interior.  
**Option "F", Fan/Cover Assembly\*:** Cover with integral ball-bearing fan provides proper cooling to achieve full ratings at 50°C ambient temperature.

**Option "G", DC Power Good (5 V outputs)\*:** Provides a TTL "1" open collector when output is above 4.6 V nominal. Not available if option "P" is selected.  
**Option "P", AC Power Fail:** Provides TTL "0" 5 ms before output voltage goes out of regulation band upon loss of AC power. VMEbus compatible, provides 48 mA sink current capability. Not available if option "G" is selected.  
**Option "V", Fan/Cover Assembly\*:** Low profile, end venting cover with integral ball-bearing fan.

\*Options C, F, G, and V not available on 150 and 180 watt models.  
 Consult factory for other available options.

**AC INPUT**

FUNCTION	115 VAC	230 VAC	CONNECTOR
Input Select	Short	Open	0.110, 0.187, or 0.250 male Fastons
TB1-(L)	Line	Line 1	Barrier strip
TB1-(N)	Neutral	Line 2	#6-32 screws
TB1-(G)	Safety Ground	Safety Ground	3/8" centers

**DC OUTPUT**

FUNCTION	MODEL	LOCATION	CONNECTOR
Output Voltage	All SC-150W models	Terminal +5V	Bus bars
		Terminal COM	#6-32 screws
	All SC-250W models	Terminal +V	Bus bars
		Terminal COM	#8-32 screws
All SC-350W and 500W models	Terminal +V	Bus bars	
	Terminal COM	#1/4-20 screws	

**STATUS AND CONTROL**

FUNCTION	SC-150W	CONNECTOR	SC-250W	SC-350 & 500W	CONNECTOR
Remote Sense	+S	#6-32 screw terminals	J1-1 (+S)	J1-4 (+S)	AMP MTA type 640456-4 pin header (locking)
	-S		J1-2 (-S)	J1-3 (-S)	
AC Power Fail	PF	J1-3 (PF)	J1-2 (PF)		
DC Power Good					
Inhibit		J1-4 (IH)	J1-1 (INH)		