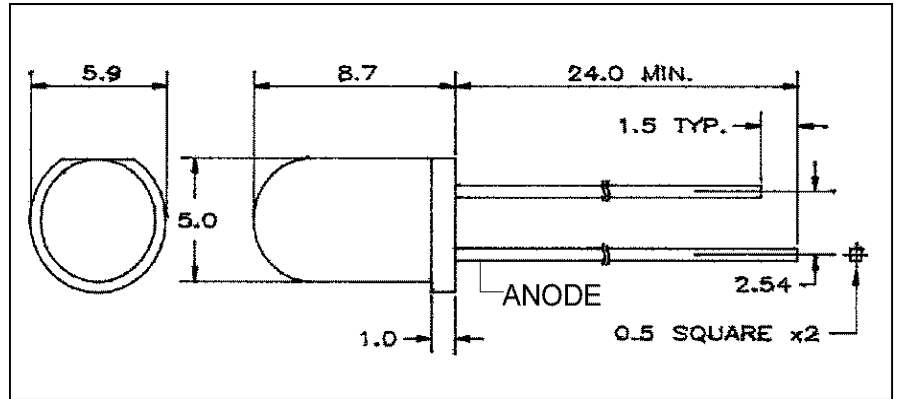


Features

- Choice of lens color
- Low drive current
- Can be packaged on tape in a reel or in a box
- Excellent on/off contrasts



Series Line-Up

Part Number	Color	Material
MT1118-RG	Red	GaP
MT1418-RG	Red	GaP
MT2118-G	Yellow Green	GaP
MT2418-G	Yellow Green	GaP
MT3118-Y	Pure Yellow	GaAsP
MT3418-Y	Pure Yellow	GaAsP
MT4118-O	High Efficiency Red	GaAsP
MT4118-HR	High Efficiency Red	GaAsP
MT4418-HR	High Efficiency Red	GaAsP
MT4418-O	High Efficiency Red	GaAsP

Maximum Ratings (Ta=25°C)

Part Number	Forward Current I _F	Reverse Voltage V _R	Power Dissipation P _D	Operating Temperature T _{opr}	Storage Temperature T _{stg}
MT1118-RG	30	5	85.00	-25 ~ +85	-25 ~ +100
MT1418-RG	30	5	85.00	-25 ~ +85	-25 ~ +100
MT2118-G	30	5	85.00	-25 ~ +85	-25 ~ +100
MT2418-G	30	5	85.00	-25 ~ +85	-25 ~ +100
MT3118-Y	30	5	85.00	-25 ~ +85	-25 ~ +100
MT3418-Y	30	5	85.00	-25 ~ +85	-25 ~ +100
MT4118-O	30	5	85.00	-25 ~ +85	-25 ~ +100
MT4118-HR	30	5	85.00	-25 ~ +85	-25 ~ +100
MT4418-HR	30	5	85.00	-25 ~ +85	-25 ~ +100
MT4418-O	30	5	85.00	-25 ~ +85	-25 ~ +100
Unit	mA	V	mW	°C	°C

Electrical and Optical Characteristics (Ta=25°C)

Part Number	PWL nm λP	Material	View Angle 2θ _{1/2}	Luminous Intensity I _v				Forward Voltage V _F				Rev Current I _R		
				min.	typ.	max.	IF@	min.	typ.	max.	IF@	max.	VR@	
MT1118-RG	700	GaP	44°	1.40	3.60	-	20mA	-	2.10	3.00	20mA	100	5V	
MT1418-RG	700	GaP	22°	5.00	12.40	-	20mA	-	2.10	3.00	20mA	100	5V	
MT2118-G	567	GaP	44°	7.20	100.00	-	20mA	-	2.10	3.00	20mA	100	5V	
MT2418-G	567	GaP	22°	24.20	330.00	-	20mA	-	2.10	3.00	20mA	100	5V	
MT3118-Y	585	GaAsP	44°	5.80	65.00	-	20mA	-	2.10	3.00	20mA	100	5V	
MT3418-Y	585	GaAsP	22°	19.80	210.00	-	20mA	-	2.10	3.00	20mA	100	5V	
MT4118-O	635	GaAsP	44°	8.20	75.00	-	20mA	-	2.10	3.00	20mA	100	5V	
MT4118-HR	635	GaAsP	44°	8.20	75.00	-	20mA	-	2.10	3.00	20mA	100	5V	
MT4418-HR	635	GaAsP	22°	28.00	250.00	-	20mA	-	2.10	3.00	20mA	100	5V	
MT4418-O	635	GaAsP	22°	28.00	250.00	-	20mA	-	2.10	3.00	20mA	100	5V	
-	nm	-	deg	mcd				-	V			-	μ A	-

NOTES:

- All Dimensions are in millimeters.
- Tolerance is ±0.25mm unless otherwise stated.
- An Epoxy Meniscus may extend about 1mm down the leads.
- Burr around bottom of epoxy may be around 0.5mm MAX.
- Specifications are subject to change without notice.