

ED-TI Intelligent Heat Detector

SPECIFICATIONS

Normal Operating Voltage:	15 to 30 VDC
Standby Current:	451 µA maximum @ 30 VDC (continuous broadcasts)
LED Current:	2 mA maximum @ 30 VDC (LEDs on)
Operating Humidity Range:	10% to 93% Relative Humidity, Non-condensing
Installation Temperatures:	-4°F to 100°F (-20°C to 38°C); 135°F to 174°F setpoint; -4°F to 150°F (-20°C to 66°C); 175°F to 190°F setpoint
Fixed Temperature Rating:	135°F to 190°F (57°C to 88°C); programmable
Rate of Rise Detection:	Responds to greater than 15°F/min. (8°C/min.); programmable
Height:	2.1" (51 mm)
Diameter:	6.1" (155 mm) installed; 4.1" (104 mm) installed
Weight:	4.8 ounces (137 g)

BEFORE INSTALLING

This detector must be installed in compliance with the control panel system installation manual. The installation must meet the requirements of the Authority Having Jurisdiction (AHJ). Detectors offer maximum performance when installed in compliance with the National Fire Protection Association (NFPA); see NFPA 72.

PRODUCT DESCRIPTION

Model ED-TI is an intelligent, spot-type heat detector, designed to be programmable for a setpoint range of 135°F to 174°F for ordinary detection or 175°F to 190°F for intermediate detection. Detectors in the ordinary range may be programmed for either fixed or 15°F rate of rise operation. Detectors set between 135°F to 155°F or 175°F to 190°F are designed 50 foot spacing. Detectors set between 156°F to 174°F are designed for 15 foot spacing.

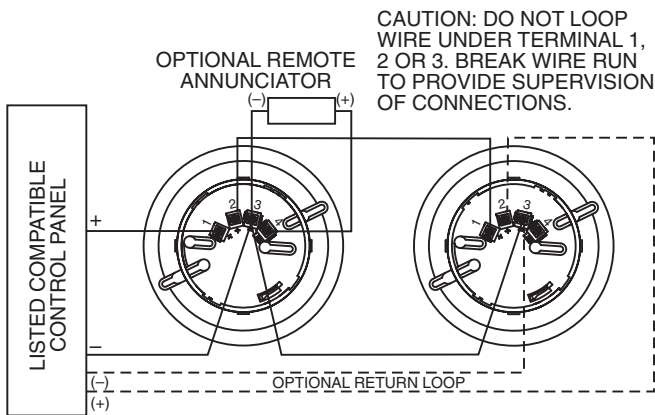
The detector is designed with tri-color LEDs to indicate detector status. The detector can be programmed to make the LEDs blink or be steady green, amber, or red. The detector remote output can be configured to follow the LED or be independently controlled. A remote LED annunciator is available as an accessory (RA400Z). The detector has on-board short circuit isolators to prevent shorts on the signaling line circuit from disabling all devices on the intelligent loop.

WIRING GUIDE

All wiring must be installed in compliance with the National Electrical Code, applicable local codes and the Authority Having Jurisdiction. Proper wire gauges should be used. The installation wires should be color coded to limit wiring mistakes and ease system troubleshooting. Improper connections will prevent a system from responding properly in the event of a fire.

1. Wire the detector base (supplied separately) per the wiring diagram, see Figure 1.
2. Install the detector into the base. Push the detector into the base while turning it clockwise to secure it in place.
3. Set the desired address using the IR configuration tool (model no. EA-CT).
4. Test the detector as described in the TESTING section of this manual.

FIGURE 1. WIRING DIAGRAM:



C0360-00

BRANCH MARKERS

In order to determine the beginning of a branch, a branch marker can be set at a particular device. The branch marker can be physical or electronic. Electronic branch markers are set with the IR configuration tool, EA-CT. An electronic branch marker is a value from 0 to 255 stored in the device memory. Physical branch markers are resistors that are wired from the detector remote LED terminal to the (-) communication terminal.

There are five possible values:

Resistive Value	Branch Number
33k ohm	5
15k ohm	4
6.8k ohm	3
2.2k ohm	2
100*	1

*A 100 ohm branch marker precludes the use of the RA400Z.

TAMPER RESISTANCE

The detector bases have a tamper-resistant capability. When this capability is enabled, detector cannot be removed from the base without the use of a tool. Refer to the detector base installation instruction manual for details in using this capability.

TESTING

Before testing, notify the proper authorities that the system is undergoing maintenance, and will temporarily be out of service. Disable the system to prevent unwanted alarms.

The detector can be tested in the following ways:

- A. Functional: This detector can be functionally tested by using the EA-CT. Following the instructions, initiate the detector test sequence. The detector will then send a test alarm message to the panel. Refer to the control panel technical documentation for further information.
- B. Direct Heat: A hair dryer, heat gun, or test apparatus designed for this purpose should be used to test the sensing circuit. Direct the heat toward the thermistor, using care to avoid dam-aging the plastic housing. The detector will reset only after it has had sufficient time to cool.

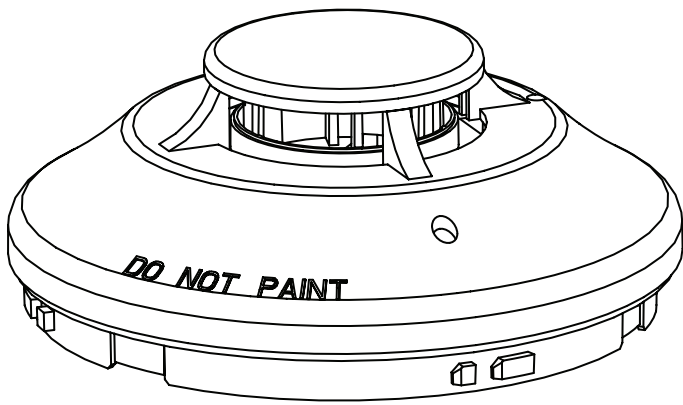
Detectors that fail these tests should be cleaned as described under CLEANING and retested. If the detectors still fail these tests they should be returned for repair.

CLEANING

NOTE: Before cleaning notify the proper authorities that the system is undergoing maintenance, and therefore the system will temporarily be out of service. Disable the loop or system undergoing maintenance to prevent unwanted alarms.

It is recommended that the detector be removed from its mounting base for easier cleaning and that detectors be cleaned at least once a year. Use a vacuum cleaner to remove dust from the sensing chamber.

FIGURE 2.



C0101-00

Please refer to insert for the Limitations of Fire Alarm Systems

THREE-YEAR LIMITED WARRANTY

System Sensor warrants its enclosed heat detector to be free from defects in materials and workmanship under normal use and service for a period of three years from date of manufacture. System Sensor makes no other express warranty for this heat detector. No agent, representative, dealer, or employee of the Company has the authority to increase or alter the obligations or limitations of this Warranty. The Company's obligation of this Warranty shall be limited to the repair or replacement of any part of the heat detector which is found to be defective in materials or workmanship under normal use and service during the three year period commencing with the date of manufacture. After phoning System Sensor's toll free number 800-SENSOR2 (736-7672) for a Return Authorization number, send defective units postage prepaid to: System Sensor, Returns Department, RA

_____, 3825 Ohio Avenue, St. Charles, IL 60174. Please include a note describing the malfunction and suspected cause of failure. The Company shall not be obligated to repair or replace units which are found to be defective because of damage, unreasonable use, modifications, or alterations occurring after the date of manufacture. In no case shall the Company be liable for any consequential or incidental damages for breach of this or any other Warranty, expressed or implied whatsoever, even if the loss or damage is caused by the Company's negligence or fault. Some states do not allow the exclusion or limitation of incidental or consequential damages, so the above limitation or exclusion may not apply to you. This Warranty gives you specific legal rights, and you may also have other rights which vary from state to state.

FCC STATEMENT

This device complies with part 15 of the FCC Rules. Operation is subject to the following two conditions: (1) This device may not cause harmful interference, and (2) this device must accept any interference received, including interference that may cause undesired operation.

NOTE: This equipment has been tested and found to comply with the limits for a Class B digital device, pursuant to Part 15 of the FCC Rules. These limits are designed to provide reasonable protection against harmful interference in a residential installation. This equipment generates, uses and can radiate radio frequency energy and, if not installed and used in accordance with the instructions, may cause harmful interference to radio communications. However, there is no guarantee that interference will not occur in a particular installation. If this equipment does cause harmful interference to radio or television reception, which can be determined by turning the equipment off and on, the user is encouraged to try to correct the interference by one or more of the following measures:

- Reorient or relocate the receiving antenna.
- Increase the separation between the equipment and receiver.
- Connect the equipment into an outlet on a circuit different from that to which the receiver is connected.
- Consult the dealer or an experienced radio/TV technician for help.