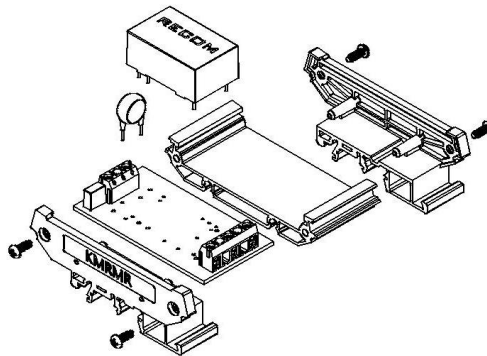
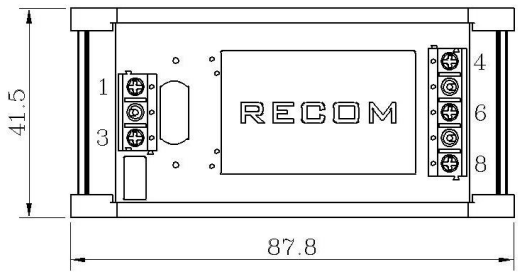
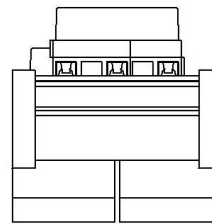
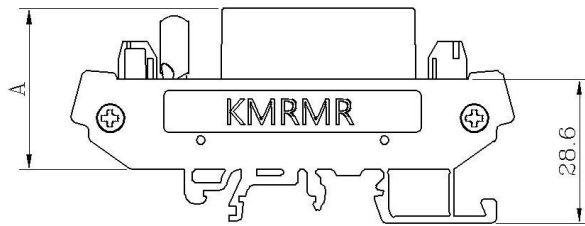


RECOM Removable DIN-Rail Mounting Bracket

RAC01~03-xxSC Series Screw Terminal Module Option



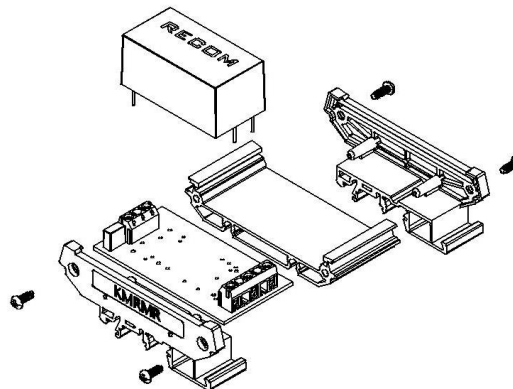
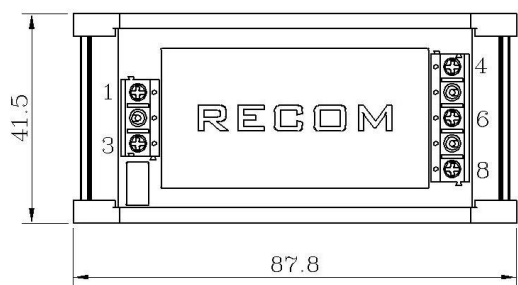
3rd angle projection



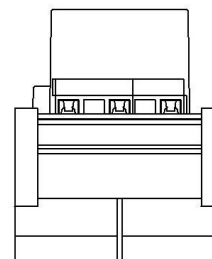
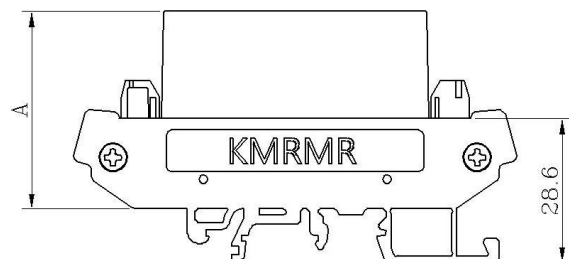
| Pin Connections | |
|------------------------------|-----------------------------|
| Pin# | |
| 1 | VAC in(N) |
| 3 | VAC in(L) |
| 4 | Dual -VDC out |
| 6 | Dual Com Single -VDC out |
| 8 | +VDC out |
| Tolerance $\pm 0.5\text{mm}$ | |

A: RAC01~02-xxSC Series = 32.8 mm. RAC03-xxSC Series = 31.5 mm.

RAC04C-xxS(D)H , RAC05~06-xxSC RAC10-xxS(D)C Series Screw Terminal Module Option



3rd angle projection



| Pin Connections | |
|------------------------------|-----------------------------|
| Pin# | |
| 1 | VAC in(N) |
| 3 | VAC in(L) |
| 4 | Dual -VDC out |
| 6 | Dual Com Single -VDC out |
| 8 | +VDC out |
| Tolerance $\pm 0.5\text{mm}$ | |

**A: RAC04C-xxS(D)H Series = 32.2 mm. RAC05~06-xxSC Series = 31.5 mm.
RAC10-xxS(D)C Series = 38.6 mm.**

Products Figure

