

# MF0ULx1

## MIFARE Ultralight EV1 - contactless ticket IC

Rev. 3.0 — 19 February 2013  
234530

Product data sheet  
COMPANY PUBLIC

## 1. General description

NXP Semiconductors developed the MIFARE Ultralight EV1 MF0ULx1 for use in a contactless smart ticket, smart card or token in combination with a Proximity Coupling Device (PCD). The MF0ULx1 is designed to work in an ISO/IEC 14443 Type A compliant environment (see [Ref. 1](#)). The target applications include single trip or limited use tickets in public transportation networks, loyalty cards or day passes for events. The MF0ULx1 serves as a replacement for conventional ticketing solutions such as paper tickets, magnetic stripe tickets or coins. It is also a perfect ticketing counterpart to contactless card families such as MIFARE DESFire or MIFARE Plus.

The MIFARE Ultralight EV1 is succeeding the MIFARE Ultralight ticketing IC and is fully functional backwards compatible. Its enhanced feature and command set enable more efficient implementations and offer more flexibility in system designs.

The mechanical and electrical specifications of MIFARE Ultralight EV1 are tailored to meet the requirements of inlay and paper ticket manufacturers.

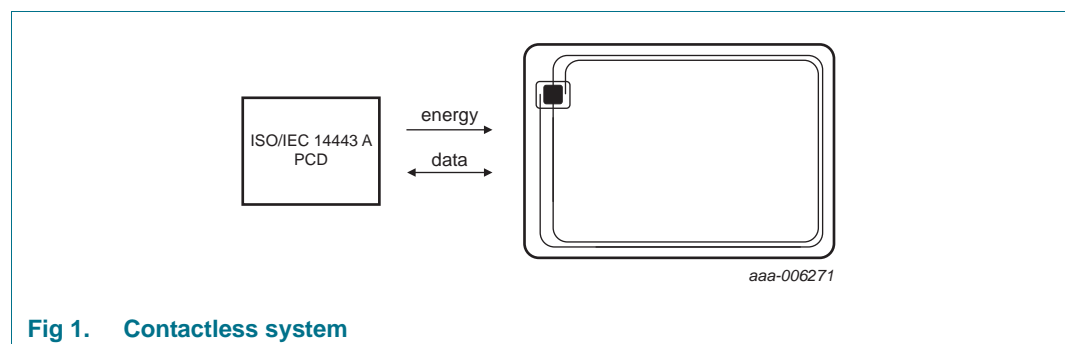
### 1.1 Contactless energy and data transfer

In a MIFARE system, the MF0ULx1 is connected to a coil with a few turns. The MF0ULx1 fits the TFC.0 (Edmondson) and TFC.1 (ISO) ticket formats as defined in [Ref. 8](#).

The MF0ULx1 chip, which features a 17 pF on-chip resonance capacitor, supports both TFC.1 and TFC.0 ticket formats.

### 1.2 Anticollision

An intelligent anticollision function allows more than one card to operate in the field simultaneously. The anticollision algorithm selects each card individually. It ensures that the execution of a transaction with a selected card is performed correctly without interference from another card in the field.



### 1.3 Simple integration and user convenience

The MF0ULx1 is designed for simple integration and user convenience which allows complete ticketing transactions to be handled in less than 35 ms.

### 1.4 Security

- Manufacturer programmed 7-byte UID for each device
- 32-bit user definable One-Time Programmable (OTP) area
- 3 independent 24-bit true one-way counters
- Field programmable read-only locking function per page (per 2 pages for the extended memory section)
- ECC based originality signature
- 32-bit password protection to prevent unintended memory operations

### 1.5 Naming conventions

Table 1. Naming conventions

MF0ULx101Dyy	Description
MF	MIFARE family
0	Ultralight product family
UL	Product: MIFARE Ultralight
x	One character identifier defining the memory size 1... 640 bit total memory, 384 bit free user memory 2... 1312 bit total memory, 1024 bit free user memory
Dyy	yy defining the delivery type UF... bare die, 75 μm thickness, Au bumps, e-map file UD... bare die, 120 μm thickness, Au bumps, e-map file A8... MOA8 contactless module

## 2. Features and benefits

- Contactless transmission of data and supply energy
- Operating frequency of 13.56 MHz
- Data integrity of 16-bit CRC, parity, bit coding, bit counting
- 7 byte serial number (cascade level 2 according to ISO/IEC 14443-3)
- Fast counter transaction: < 10 ms
- Operating distance up to 100 mm depending on antenna geometry and reader configuration
- Data transfer of 106 kbit/s
- True anticollision
- Typical ticketing transaction: < 35 ms

### 2.1 EEPROM

- 640-bit or 1312-bit, organized in 20 or 41 pages with 4 bytes per page
- Field programmable read-only locking function per page for the first 512 bits
- 32-bit user definable One-Time Programmable (OTP) area
- 3 independent, true one-way 24-bit counters on top of the user area
- Configurable password protection with optional limit of unsuccessful attempts
- Data retention time of 10 years
- Write endurance for one-way counters 1.000.000 cycles
- First 512 bits compatible to MF01CU1
- Field programmable read-only locking function per double page above the first 512 bits
- 384-bit or 1024-bit freely available user Read/Write area (12 or 32 pages)
- Anti-tearing support for counters, OTP area and lock bits
- ECC based originality signature
- Write endurance 100.000 cycles

## 3. Applications

- Public transportation
- Event ticketing
- Loyalty

## 4. Quick reference data

Table 2. Quick reference data

Symbol	Parameter	Conditions	Min	Typ	Max	Unit
$C_i$	input capacitance	[1]	-	17.0	-	pF
$f_i$	input frequency		-	13.56	-	MHz
<b>EEPROM characteristics</b>						
$t_{ret}$	retention time	$T_{amb} = 22\text{ °C}$	10	-	-	year
$N_{endu(W)}$	write endurance	$T_{amb} = 22\text{ °C}$	100000	-	-	cycle
$N_{endu(W)}$	write endurance counters	$T_{amb} = 22\text{ °C}$	100000	1000000	-	cycle

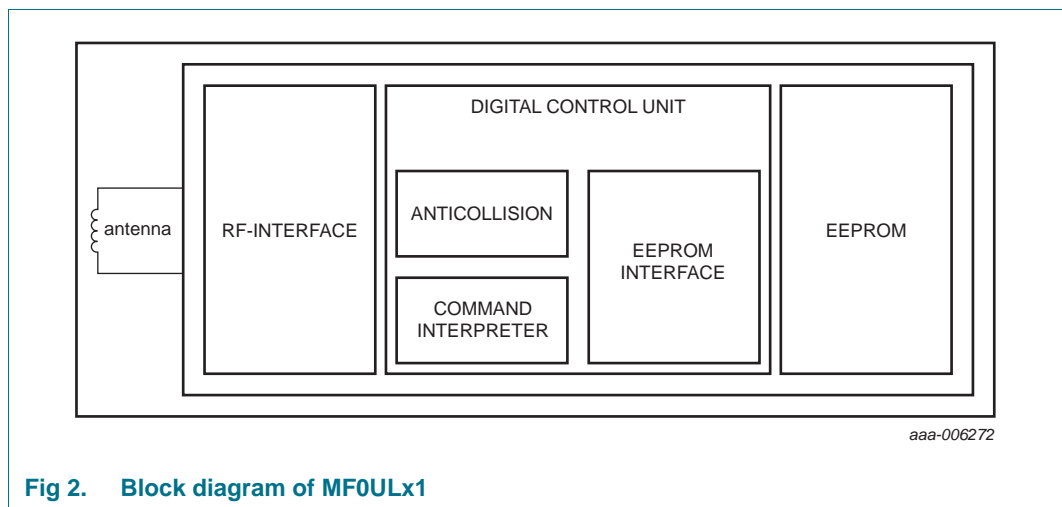
[1] LCR meter,  $T_{amb} = 22\text{ °C}$ ,  $f_i = 13.56\text{ MHz}$ , 2 V RMS.

## 5. Ordering information

**Table 3. Ordering information**

Type number	Package		Version
	Name	Description	
MF0UL1101DUF	FFC Bump	8 inch wafer, 75 μm thickness, on film frame carrier, electronic fail die marking according to SECS-II format), Au bumps, 384 bit user memory, 17 pF input capacitance	-
MF0UL1101DUD	FFC Bump	8 inch wafer, 120 μm thickness, on film frame carrier, electronic fail die marking according to SECS-II format), Au bumps, 384 bit user memory, 17 pF input capacitance	-
MF0UL2101DUF	FFC Bump	8 inch wafer, 75 μm thickness, on film frame carrier, electronic fail die marking according to SECS-II format), Au bumps, 1024 bit user memory, 17 pF input capacitance	-
MF0UL2101DUD	FFC Bump	8 inch wafer, 120 μm thickness, on film frame carrier, electronic fail die marking according to SECS-II format), Au bumps, 1024 bit user memory, 17 pF input capacitance	-
MF0UL2101DA8	MOA8	plastic lead less module carrier package; 35 mm wide tape, 1024 bit user memory, 17 pF input capacitance	SOT500-4

## 6. Block diagram

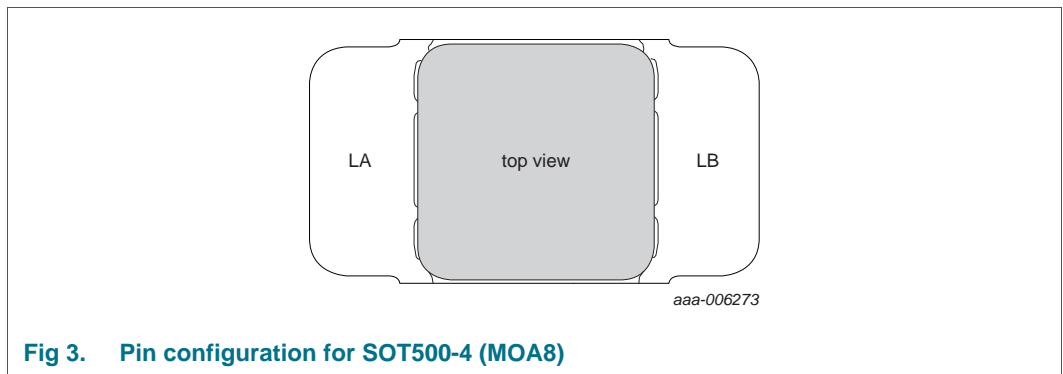


**Fig 2. Block diagram of MF0ULx1**

## 7. Pinning information

### 7.1 Pinning

The pinning for the MF0ULx1DAx is shown [Figure 3](#) for a contactless MOA8 module.



**Table 4. Pin allocation table**

Pin	Symbol	
LA	LA	antenna coil connection LA
LB	LB	antenna coil connection LB

## 8. Functional description

### 8.1 Block description

The MF0ULx1 chip consists of a 640-bit or a 1312-bit EEPROM, RF interface and Digital Control Unit (DCU). Energy and data are transferred via an antenna consisting of a coil with a few turns which is directly connected to the MF0ULx1. No further external components are necessary. Refer to [Ref. 2](#) for details on antenna design.

- RF interface:
  - modulator/demodulator
  - rectifier
  - clock regenerator
  - Power-On Reset (POR)
  - voltage regulator
- Anticollision: multiple cards may be selected and managed in sequence
- Command interpreter: processes memory access commands that the MF0ICU1 supports
- EEPROM interface
- EEPROM: 640 bit, organized in 20 pages of 4 byte per page.
  - 208 bit reserved for manufacturer and configuration data
  - 16 bit used for the read-only locking mechanism
  - 32 bit available as OTP area
  - 384 bit user programmable read/write memory
- EEPROM: 1312 bit, organized in 41 pages of 4 byte per page.
  - 208 bit reserved for manufacturer and configuration data
  - 31 bit used for the read-only locking mechanism
  - 32 bit available as OTP area
  - 1024 bit user programmable read/write memory

## 8.2 RF interface

The RF-interface is based on the ISO/IEC 14443 Type A standard for contactless smart cards.

During operation, the reader generates an RF field. This RF field must always be present (with short pauses for data communication), as it is used for the power supply of the card.

For both directions of data communication, there is one start bit at the beginning of each frame. Each byte is transmitted with an odd parity bit at the end. The LSB of the byte with the lowest address of the selected block is transmitted first. The maximum length of a PCD to PICC frame is 199 bits (20 data bytes + 2 CRC bytes =  $20 \times 9 + 2 \times 9 + 1$  start bit). The maximum length for a fixed size PICC to PCD frame is 307 bits (32 data bytes + 2 CRC bytes =  $32 \times 9 + 2 \times 9 + 1$  start bit). The FAST\_READ response has a variable frame length depending on the start and end address parameters. When issuing this command, take into account the maximum frame length that the PCD supports.

For a multi-byte parameter, the least significant byte is always transmitted first. As an example, take reading from the memory using the READ command. Byte 0 from the addressed block is transmitted first after which, byte 1 to byte 3 are transmitted. The same sequence continues for the next block and all subsequent blocks.

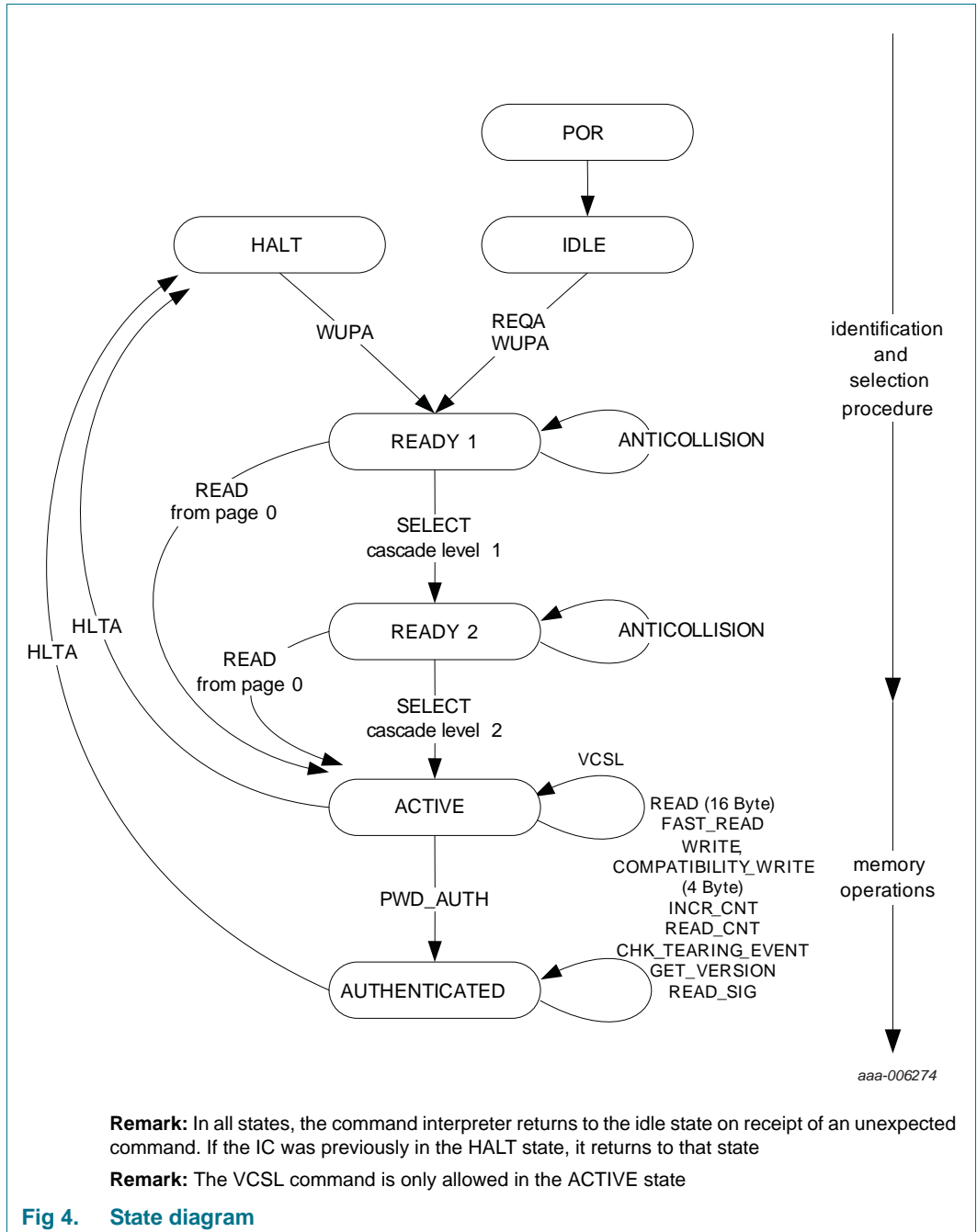
## 8.3 Data integrity

Following mechanisms are implemented in the contactless communication link between reader and card to ensure very reliable data transmission:

- 16 bits CRC per block
- parity bits for each byte
- bit count checking
- bit coding to distinguish between “1”, “0” and “no information”
- channel monitoring (protocol sequence and bit stream analysis)

### 8.4 Communication principle

The reader initiates the commands and the Digital Control Unit of the MF0ULx1 controls them. The command response is depending on the state of the IC and for memory operations also on the access conditions valid for the corresponding page.





### 8.4.1 IDLE state

After a power-on reset (POR), the MF0ULx1 switches to the IDLE state. It only exits this state when a REQA or a WUPA command is received from the PCD. Any other data received while in this state is interpreted as an error and the MF0ULx1 remains in the IDLE state.

Refer to [Ref. 4](#) for implementation hints for a card polling algorithm that respects relevant timing specifications from ISO/IEC 14443 Type A.

After a correctly executed HLTA command, for example out of the ACTIVE or AUTHENTICATED state, the default waiting state changes from IDLE to HALT. This state can then be exited with a WUPA command only.

### 8.4.2 READY1 state

In this state, the PCD resolves the first part of the UID (3 bytes) using the ANTICOLLISION or SELECT commands in cascade level 1. This state is exited correctly after execution of either of the following commands:

- SELECT command from cascade level 1: the PCD switches the MF0ULx1 into READY2 state where the second part of the UID is resolved.
- READ command (from address 0): all anticollision mechanisms are bypassed and the MF0ULx1 switches directly to the ACTIVE state.

**Remark:** If more than one MF0ULx1 is in the PCD field, a READ command from address 0 selects all MF0ULx1 devices. In this case, a collision occurs due to the different serial numbers. Any other data received in the READY1 state is interpreted as an error. Depending on its previous state, the MF0ULx1 returns to either the IDLE state or HALT state.

### 8.4.3 READY2 state

In this state, the MF0ULx1 supports the PCD in resolving the second part of its UID (4 bytes) with the cascade level 2 ANTICOLLISION command. This state is usually exited using the cascade level 2 SELECT command.

Alternatively, READY2 state can be skipped using a READ command (from address 0) as described for the READY1 state.

**Remark:** The response of the MF0ULx1 to the cascade level 2 SELECT command is the select acknowledge (SAK) byte. In accordance with ISO/IEC 14443, this byte indicates if the anticollision cascade procedure has finished. It also defines the type of device selected for the MIFARE architecture platform. The MF0ULx1 is now uniquely selected and only this device communicates with the PCD even when other contactless devices are present in the PCD field. If more than one MF0ULx1 is in the PCD field, a READ command from address 0 selects all MF0ULx1 devices. In this case, a collision occurs due to the different serial numbers. Any other data received when the device is in this state is interpreted as an error. Depending on its previous state the MF0ULx1 returns to either the IDLE state or HALT state.

#### 8.4.4 ACTIVE state

All memory operations and other functions like the originality signature read-out are operated in the ACTIVE state.

The ACTIVE state is gratefully exited with the HLTA command and upon reception the MF0ULx1 transits to the HALT state. Any other data received when the device is in this state is interpreted as an error. Depending on its previous state the MF0ULx1 returns to either the IDLE state or HALT state.

The MF0ULx1 transits to the AUTHENTICATED state after successful password verification using the PWD\_AUTH command.

#### 8.4.5 AUTHENTICATED state

In this state, all operations on memory pages, which are configured as password verification protected, can be accessed.

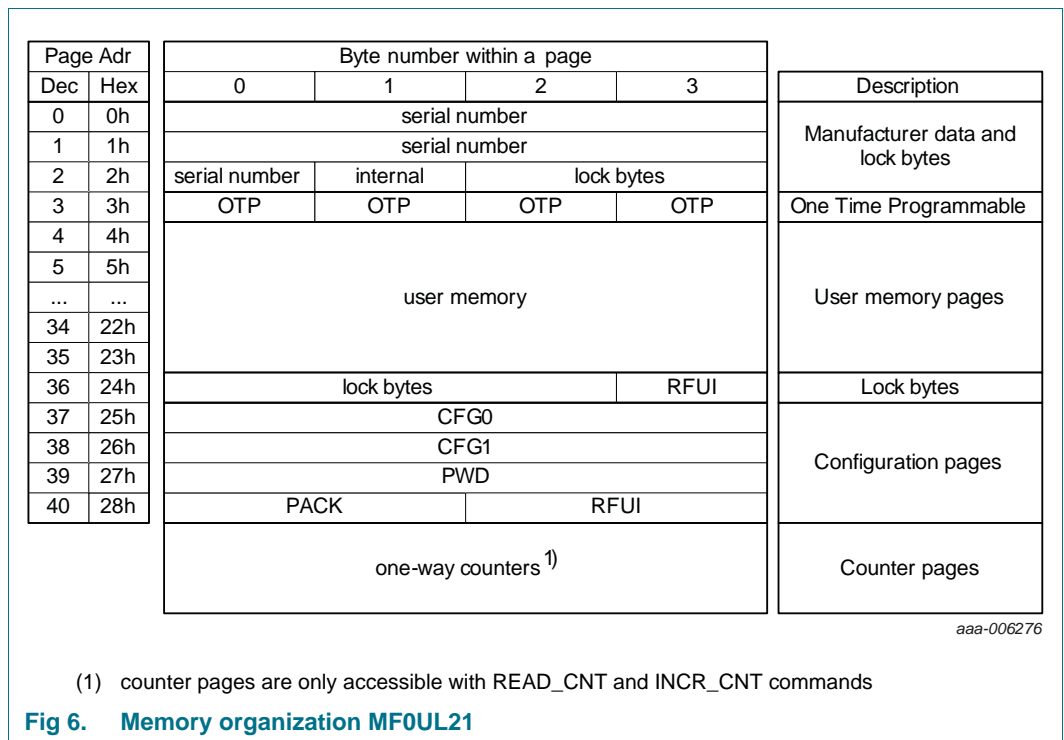
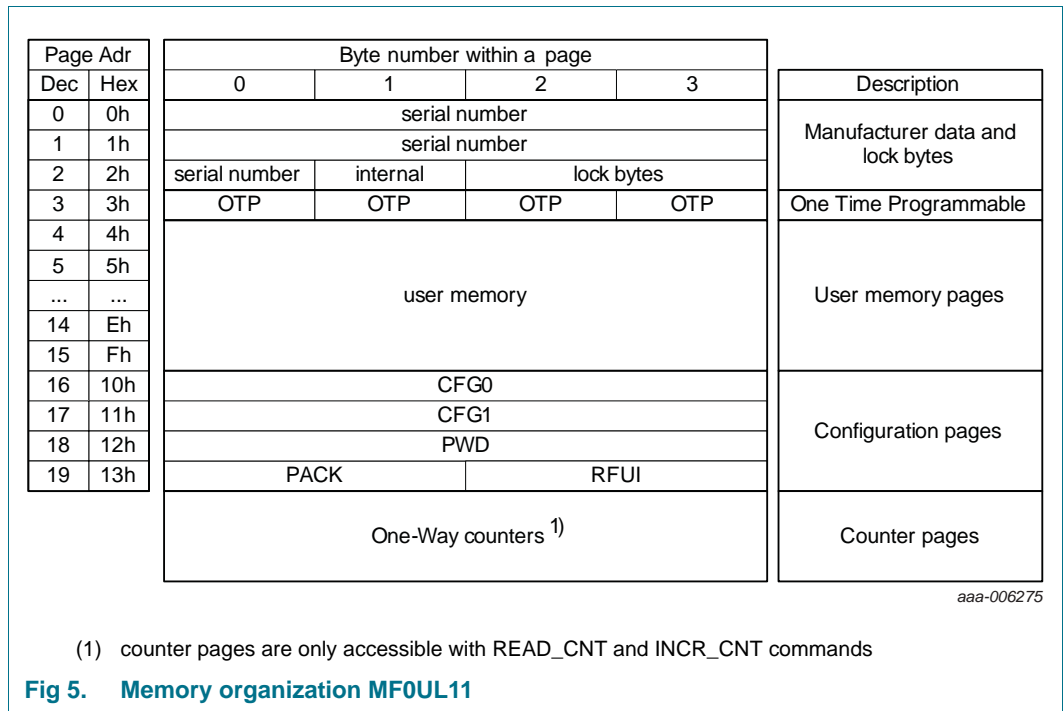
The AUTHENTICATED state is gratefully exited with the HLTA command and upon reception the MF0ULx1 transits to the HALT state. Any other data received when the device is in this state is interpreted as an error. Depending on its previous state the MF0ULx1 returns to either the IDLE state or HALT state.

#### 8.4.6 HALT state

The HALT and IDLE states constitute the two wait states implemented in the MF0ULx1. An already processed MF0ULx1 can be set into the HALT state using the HLTA command. In the anticollision phase, this state helps the PCD to distinguish between processed cards and cards yet to be selected. The MF0ULx1 can only exit this state on execution of the WUPA command. Any other data received when the device is in this state is interpreted as an error and the MF0ULx1 state remains unchanged. Refer to [Ref. 4](#) for correct implementation of an anticollision procedure based on the IDLE and HALT states and the REQA and WUPA commands.

8.5 Memory organization

The EEPROM memory is organized in pages with 4 bytes per page. The MF0UL11 variant has 20d pages and the MF0UL21 variant has 41d pages in total. The memory organization can be seen in Figure 5 and Figure 6, the functionality of the different memory sections is described in the following sections.



8.5.1 UID/serial number

The unique 7-byte serial number (UID) and its two check bytes are programmed into the first 9 bytes of memory covering page addresses 00h, 01h and the first byte of page 02h. The second byte of page address 02h is reserved for internal data. These bytes are programmed and write protected in the production test.

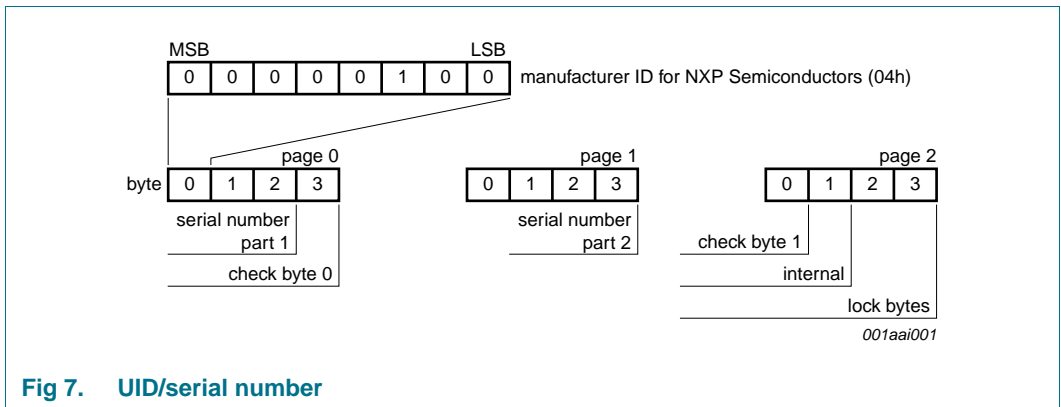


Fig 7. UID/serial number

In accordance with ISO/IEC 14443-3 check byte 0 (BCC0) is defined as  $CT \oplus SN0 \oplus SN1 \oplus SN2$ . Check byte 1 (BCC1) is defined as  $SN3 \oplus SN4 \oplus SN5 \oplus SN6$ .

SN0 holds the Manufacturer ID for NXP Semiconductors (04h) in accordance with ISO/IEC 14443-3 and ISO/IEC 7816-6 AMD.1

8.5.2 Lock byte 0 and byte 1

The bits of byte 2 and byte 3 of page 02h represent the field programmable read-only locking mechanism. Each page from 03h (OTP) to 0Fh can be individually locked by setting the corresponding locking bit Lx to logic 1 to prevent further write access. After locking, the corresponding page becomes read-only memory.

The three least significant bits of lock byte 0 are the block-locking bits. Bit 2 deals with pages 0Ah to 0Fh, bit 1 deals with pages 04h to 09h and bit 0 deals with page 03h (OTP). Once the block-locking bits are set, the locking configuration for the corresponding memory area is frozen.

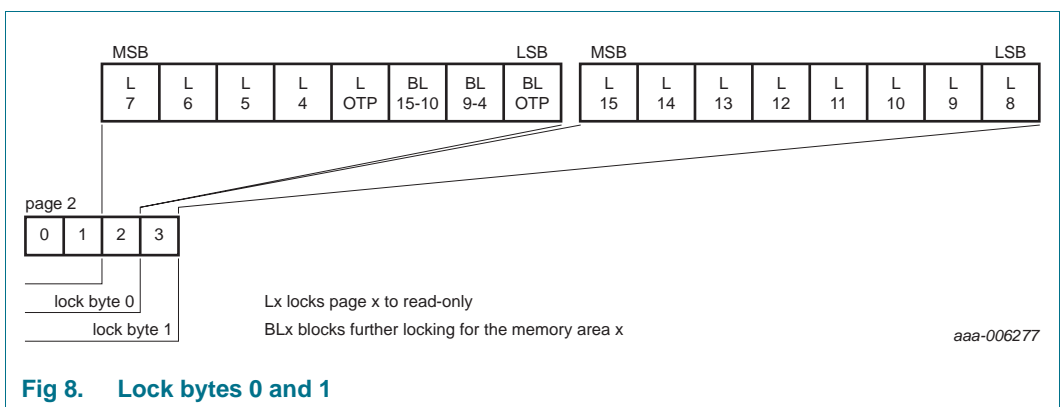


Fig 8. Lock bytes 0 and 1

For example if BL15-10 is set to logic 1, then bits L15 to L10 (lock byte 1, bit[7:2]) can no longer be changed. A WRITE command or COMPATIBILITY\_WRITE command to page 02h, sets the locking and block-locking bits. Byte 2 and byte 3 of the WRITE or

COMPATIBILITY\_WRITE command, and the contents of the lock bytes are bit-wise OR'ed and the result then becomes the new content of the lock bytes. This process is irreversible. If a bit is set to logic 1, it cannot be changed back to logic 0.

The contents of bytes 0 and 1 of page 02h are unaffected by the corresponding data bytes of the WRITE or COMPATIBILITY\_WRITE command.

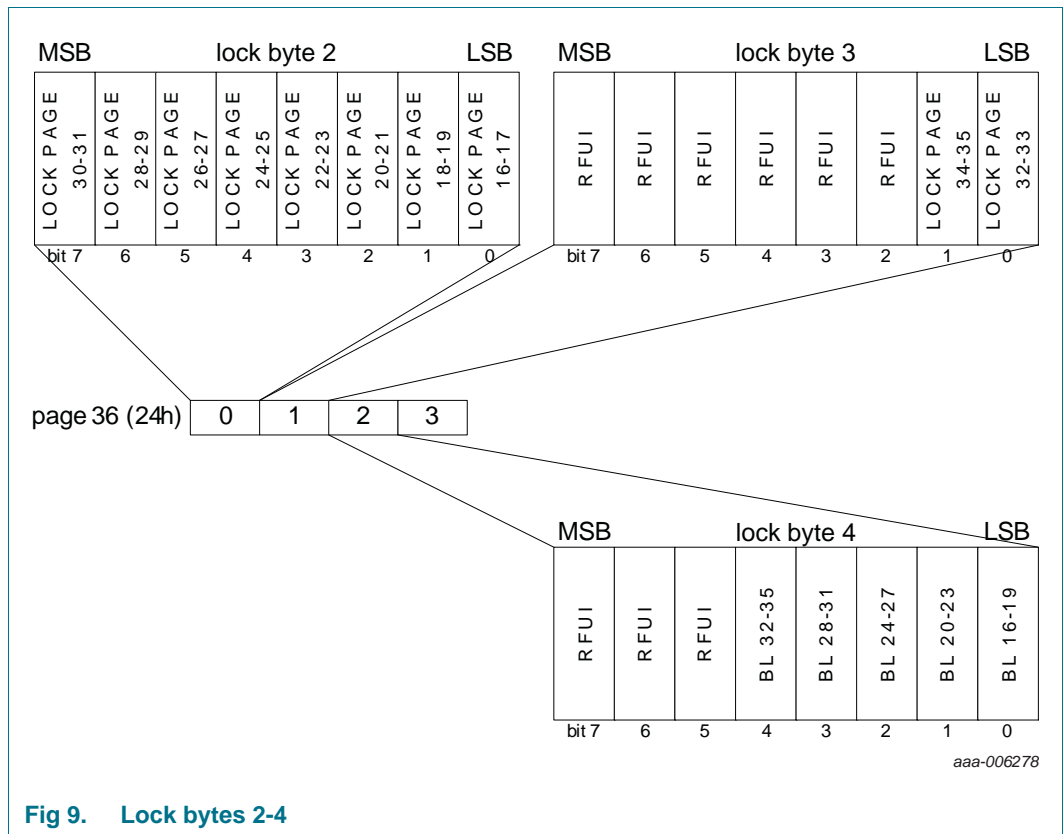
The default value of the static lock bytes is 00 00h.

Any write operation to the lock bytes, features anti-tearing support.

**8.5.3 Lock byte 2 to byte 4**

To lock the pages of the MF0UL21 starting at page address 10h onwards, the lock bytes 2-4 located in page 24h are used. Those three lock bytes cover the memory area of 80 data bytes. The granularity is 2 pages, compared to a single page for the first 512 bits as shown in [Figure 9](#).

**Remark:** Set all bits marked with RFUI to 0, when writing to the lock bytes.



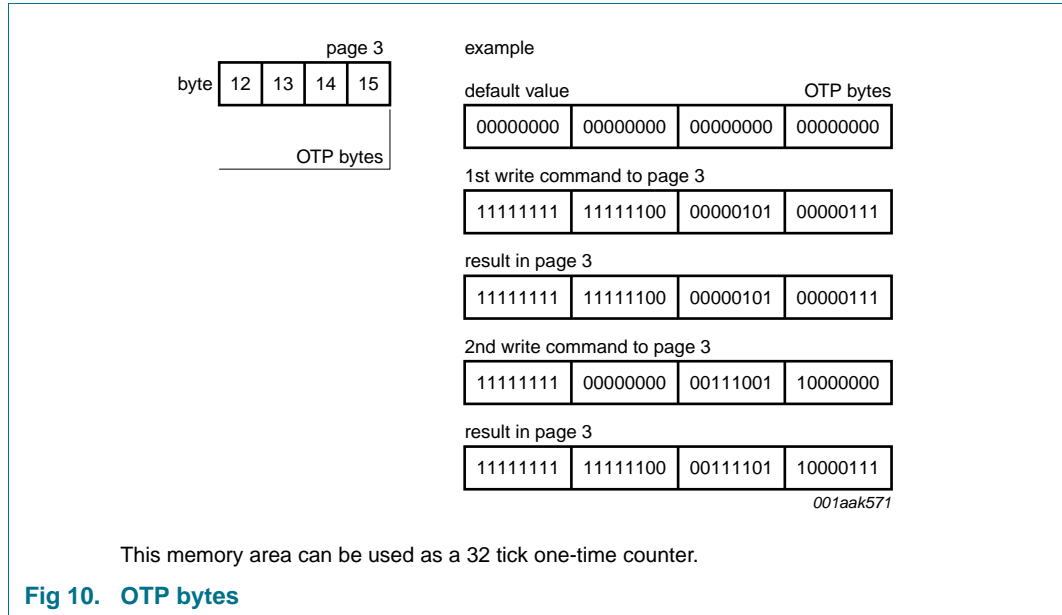
**Fig 9. Lock bytes 2-4**

The default value of lock bytes 2-4 is 00 00 00h. The value of byte 3 on page 36 (see [Figure 9](#)) is always BDh when read.

Any write operation to the lock bytes, features anti-tearing support.

8.5.4 OTP bytes

Page 03h is the OTP page and it is preset so that all bits are set to logic 0 after production. These bytes can be bit-wise modified using the WRITE or COMPATIBILITY\_WRITE command.



The parameter bytes of the WRITE command and the current contents of the OTP bytes are bit-wise OR'ed. The result is the new OTP byte contents. This process is irreversible and once a bit is set to logic 1, it cannot be changed back to logic 0.

The default value of the OTP bytes is 00 00 00 00h.

Any write operation to the OTP bytes features anti-tearing support.

8.5.5 Data pages

Pages 04h to 0Fh for the MF0UL11 and 04h to 23h for the MF0UL21 are the user memory read/write area.

The access to a part of the user memory area can be restricted using a password verification. See [Section 8.6](#) for further details.

**Remark:** The default content of the data blocks at delivery is not defined.

### 8.5.6 Configuration pages

Pages 10h-13h for the MF0UL11 and pages 25h-28h for the MF0UL21 variant, are used to configure the memory access restriction of the MF0ULx1. They are also used to configure the response to a VCSL command. The memory content of the configuration pages is detailed in [Table 5](#), [Table 6](#) and [Table 7](#).

**Table 5. Configuration Pages**

Page Address		Byte number			
Dec	Hex	0	1	2	3
16/37	10h/25h	RFUI	RFUI	RFUI	AUTH0
17/38	11h/26h	ACCESS	VCTID	RFUI	RFUI
18/39	12h/27h	PWD			
19/40	13h/28h	PACK		RFUI	RFUI

[1] page address for MF0UL11/MF0UL21

**Table 6. ACCESS configuration byte**

Bit number							
7	6	6	4	3	2	1	0
PROT	CFGLCK		RFUI			AUTHLIM	

**Table 7. Configuration parameter descriptions**

Field	Bit	Default Value	Description
AUTH0	8	FFh	AUTH0 defines the page address from which the password verification is required. Valid address range for byte AUTH0 is 00h to FFh. If AUTH0 is set to a page address which is higher than the last user configuration page, the password protection is effectively disabled.
PROT	1	0b	One bit inside the ACCESS byte defining the memory protection 0b ... write access is protected by the password verification 1b ... read and write access is protected by the password verification
CFGLCK	1	0b	Write locking bit for the user configuration 0b ... user configuration open to write access 1b ... user configuration permanently locked against write access
AUTHLIM	3	000b	Limitation of negative password verification attempts 000b... limiting of negative password verification attempts disabled 001b-111b ... maximum number of negative password verification attempts
VCTID	8	05h	Virtual Card Type Identifier which represents the response to a VCSL command. To ensure infrastructure compatibility, do not change the default value of 05h.
PWD	32	FFFF FFFFh	32-bit password used for memory access protection
PACK	16	0000h	16-bit password acknowledge used during password verification
RFUI	-	all 0b	Reserved for future use - implemented. Write all bits and bytes denoted as RFUI as 0b.

**Remark:** The CFGLCK bit activates the permanent write protection of the first two configuration pages. The write lock is only activated after a power cycle of the MF0ULx1. If write protection is enabled, each write attempt leads to a NAK response.

## 8.6 Password verification protection

The memory write or read/write access to a configurable part of the memory can be constrained to a positive password verification. The 32-bit secret password (PWD) and the 16-bit password acknowledge (PACK) are typically programmed into the configuration pages at ticket issuing or personalization. The use of a chip individual password acknowledge response raises the trust level on the PCD side into the PICC.

The AUTHLIM parameter specified in [Section 8.5.6](#) can be used to limit the negative verification attempts.

In the initial state of the MF0ULx1, an AUTH0 value of FFh disables password protection. PWD and PACK are freely writable in this state. Access to the configuration pages and any part of the user memory, can be restricted by setting AUTH0 a page address within the available memory space. The page address is the first one protected.

**Remark:** Note that the password verification method available in then MF0ULx1 does not offer a high security protection. It is an easy and convenient way to prevent unauthorized memory access. If a higher level of protection is required, cryptographic methods on application layer can be used to increase overall system security.

### 8.6.1 Programming of PWD and PACK

Program the 32-bit PWD and the 16-bit PACK into the configuration pages, see [Section 8.5.6](#). The password as well as the password acknowledge, are written LSByte first. This byte order is the same as the byte order used during the PWD\_AUTH command and its response.

The PWD and PACK bytes can never be read out of the memory. Instead of transmitting the real value on any valid READ or FAST\_READ command, only 00h bytes are replied.

If the password verification does not protect the configuration pages, PWD and PACK can be written with normal WRITE and COMPATIBILITY\_WRITE commands.

If the password verification protects the configuration pages, PWD and PACK can be written after a successful PWD\_AUTH command.

The PWD and PACK are writable even if the CFGLCK bit is set to 1b. Therefore it is strongly recommended to set AUTH0 to the page where the PWD is located after the password has been written. This page is 12h for the MF0UL11 and 27h for the MF0UL21.

**Remark:** To improve the overall system security, it is strongly recommended to diversify the password and the password acknowledge using a die individual parameter, that is, the 7-byte UID available on the MF0ULx1.



### 8.6.2 Limiting negative verification attempts

To prevent brute-force attacks on the password, the maximum allowed number of negative password verification attempts can be set using AUTHLIM. This mechanism is disabled by setting AUTHLIM to a value of 000b which is also the initial state of the MF0ULx1.

If AUTHLIM is not equal to 000b, each negative authentication verification is internally counted. The count operation features anti-tearing support. As soon as this internal counter reaches the number specified in AUTHLIM, any further negative password verification leads to a permanent locking of the protected part of the memory for the specified access modes. Specifically, whether the provided password is correct or not, each subsequent PWD\_AUTH fails.

Any successful password verification, before reaching the limit of negative password verification attempts, resets the internal counter to zero.

### 8.6.3 Protection of special memory segments

The configuration pages can be protected by the password authentication as well. The protection level is defined with the PROT bit.

The protection is enabled by setting the AUTH0 byte to a value that is within the addressable memory space.

All counters can always be incremented and read without prior password verification.

## 8.7 Counter functionality

The MF0ULx1 features three independent 24-bit one-way counters. These counters are located in a separate part of the NVM which is not directly addressable using READ, FAST\_READ, WRITE or COMPATIBILITY\_WRITE commands. The actual value can be retrieved by using the READ\_CNT command, the counters can be incremented with the INCR\_CNT command. The INCR\_CNT command features anti-tearing support, thus no undefined values originating from interrupted programming cycles are possible. Either the value is unchanged or the correct, incremented value is correctly programmed into the counter. The occurrence of a tearing event can be checked using the CHECK\_TEARING\_EVENT command.

In the initial state, the counter values are set to 000000h.

The counters can be incremented by an arbitrary value. The incremented value is valid immediately and does not require a RF reset or re-activation. Once counter value reaches FFFFFFFh and an increment is performed via a valid INCR\_CNT command, the MF0ULx1 replies a NAK. If the sum of the addressed counter value and the increment value in the INCR\_CNT command is higher than FFFFFFFh, the MF0ULx1 replies a NAK and does not update the respective counter.

An increment by zero (000000h) is always possible, but does not have any impact on the counter value.

## 8.8 Originality function

The MF0ULx1 features a cryptographically supported originality check. With this feature, it is possible to verify with a certain probability, that the ticket is using an NXP Semiconductors manufactured silicon. This check can also be performed on personalized tickets.

Each MF0ULx1 holds a 32-byte cryptographic signature based on elliptic curve cryptography. This signature can be retrieved using the READ\_SIG command and can be verified using the corresponding ECC public key in the PCD.

## 8.9 Virtual Card Architecture Support

The MF0ULx1 supports the virtual card architecture by replying to a Virtual Card Select Last (VCSL) command with a virtual card type identifier. The VCTID that is replied can be programmed in the configuration pages. It enables infrastructure supporting this feature to process MIFARE cards across different MIFARE families in a common way.

For example, a contactless system is enabled to select a specific virtual MIFARE card inside a mobile phone. It can use the same card identification principle to detect that the MF0ULx1 belongs to the system.

## 9. Command overview

The MIFARE Ultralight card activation follows the ISO/IEC 14443 Type A. After the MIFARE Ultralight card has been selected, it can either be deactivated using the ISO/IEC 14443 HLTA command, or the MIFARE Ultralight commands can be performed. For more details about the card activation, refer to [Ref. 1](#).

### 9.1 MIFARE Ultralight EV1 command overview

All available commands for the MIFARE Ultralight are shown in [Table 8](#).

**Table 8. Command overview**

Command <sup>[1]</sup>	ISO/IEC 14443	Command code (hexadecimal)
Request	REQA	26h (7 bit)
Wake-up	WUPA	52h (7 bit)
Anticollision CL1	Anticollision CL1	93h 20h
Select CL1	Select CL1	93h 70h
Anticollision CL2	Anticollision CL2	95h 20h
Select CL2	Select CL2	95h 70h
Halt	HLTA	50h 00h
GET_VERSION <sup>[2]</sup>	-	60h
READ	-	30h
FAST_READ <sup>[2]</sup>	-	3Ah
WRITE	-	A2h
COMP_WRITE	-	A0h
READ_CNT <sup>[2]</sup>	-	39h
INCR_CNT <sup>[2]</sup>	-	A5h
PWD_AUTH <sup>[2]</sup>	-	1Bh
READ_SIG <sup>[2]</sup>	-	3Ch
CHECK_TEARING_EVENT <sup>[2]</sup>	-	3Eh
VCSL <sup>[2]</sup>	-	4Bh

[1] Unless otherwise specified, all commands use the coding and framing as described in [Ref. 1](#).

[2] this command is new in MIFARE Ultralight EV1 compared to MIFARE Ultralight

### 9.2 Timing

The command and response timings shown in this document are not to scale and values are rounded to 1 μs.

All given command and response transmission times refer to the data frames including start of communication and end of communication. They do not include the encoding (such as Miller pulses). A PCD data frame, contains the start of communication (1 “start bit”) and the end of communication (one logic 0 + 1 bit length of unmodulated carrier). A PICC data frame, contains the start of communication (1 “start bit”) and the end of communication (1 bit length of no subcarrier).

The minimum command response time is specified according to Ref. 1 as an integer n which specifies the PCD to PICC frame delay time. The frame delay time from PICC to PCD is at least 87 μs. The maximum command response time is specified as a time-out value. Depending on the command, the T<sub>ACK</sub> value specified for command responses defines the PCD to PICC frame delay time. It does it for either the 4-bit ACK value specified in Section 9.3 or for a data frame.

All command timings are according to ISO/IEC 14443-3 frame specification as shown for the Frame Delay Time in Figure 11. For more details, refer to Ref. 1.

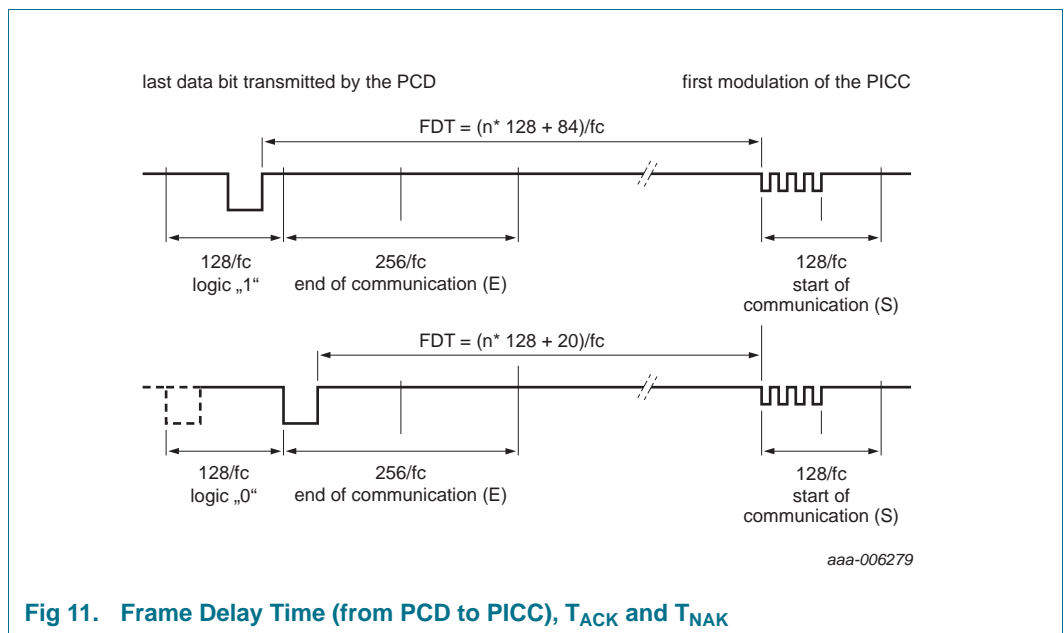


Fig 11. Frame Delay Time (from PCD to PICC), T<sub>ACK</sub> and T<sub>NAK</sub>

**Remark:** Due to the coding of commands, the measured timings usually excludes (a part of) the end of communication. Consider this factor when comparing the specified times with the measured times.

### 9.3 MIFARE Ultralight ACK and NAK

The MIFARE Ultralight uses a 4-bit ACK / NAK as shown in [Table 9](#).

**Table 9. ACK and NAK values**

Code (4-bit)	ACK/NAK
Ah	Acknowledge (ACK)
0h	NAK for invalid argument (i.e. invalid page address)
1h	NAK for parity or CRC error
4h	NAK for counter overflow
5h, 7h	NAK for EEPROM write error
6h, 9h	NAK, other error

### 9.4 ATQA and SAK responses

For details on the type identification procedure, refer to [Ref. 3](#).

The MF0ULx1 replies to a REQA or WUPA command with the ATQA value shown in [Table 10](#). It replies to a Select CL2 command with the SAK value shown in [Table 11](#). The 2-byte ATQA value is transmitted with the least significant byte first (44h).

**Table 10. ATQA response of the MF0ULx1**

Sales type	Hex value	Bit number																
		16	15	14	13	12	11	10	9	8	7	6	5	4	3	2	1	
MF0ULx1	00 44h	0	0	0	0	0	0	0	0	0	0	1	0	0	0	1	0	0

**Table 11. SAK response of the MF0ULx1**

Sales type	Hex value	Bit number							
		8	7	6	5	4	3	2	1
MF0ULx1	00h	0	0	0	0	0	0	0	0

**Remark:** The ATQA coding in bits 7 and 8 indicate the UID size according to ISO/IEC 14443 independent from the settings of the UID usage.

**Remark:** The bit numbering in the ISO/IEC 14443 starts with LSB = bit 1 and not with LSB = bit 0. So 1 byte counts bit 1 to bit 8 instead of bit 0 to 7.

## 10. MIFARE Ultralight EV1 commands

### 10.1 GET\_VERSION

The GET\_VERSION command is used to retrieve information on the MIFARE family, product version, storage size and other product data required to identify the MF0ULx1.

This command is available on other MIFARE products to have a common way of identifying products across platforms and evolution steps.

The GET\_VERSION command has no arguments and replies the version information for the specific MF0ULx1 type. The command structure is shown in [Figure 12](#) and [Table 12](#).

[Table 13](#) shows the required timing.

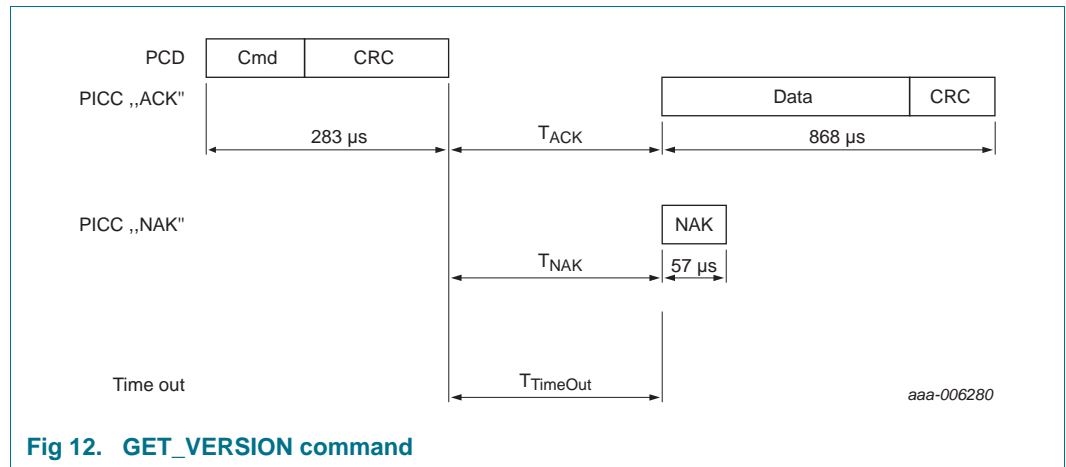


Fig 12. GET\_VERSION command

Table 12. GET\_VERSION command

Name	Code	Description	Length
Cmd	60h	Get product version	1 byte
CRC	-	CRC according to <a href="#">Ref. 1</a>	2 bytes
Data	-	Product version information	8 bytes
NAK	see <a href="#">Table 9</a>	see <a href="#">Section 9.3</a>	4-bit

Table 13. GET\_VERSION timing

These times exclude the end of communication of the PCD.

	T <sub>ACK min</sub>	T <sub>ACK max</sub>	T <sub>NAK min</sub>	T <sub>NAK max</sub>	T <sub>TimeOut</sub>
GET_VERSION	n=9	T <sub>TimeOut</sub>	n=9	T <sub>TimeOut</sub>	5 ms

Table 14. GET\_VERSION response for MF0UL11 and MF0UL21

Byte no.	Description	MF0UL11	MF0UL21	Interpretation
0	fixed header	00h	00h	
1	vendor ID	04h	04h	NXP Semiconductors
2	product type	03h	03h	MIFARE Ultralight
3	product subtype	01h	01h	17 pF
4	major product version	01h	01h	EV1
5	minor product version	00h	00h	V0
6	storage size	0Bh	0Eh	see following explanation
7	protocol type	03h	03h	ISO/IEC 14443-3 compliant

The most significant 7 bits of the storage size byte are interpreted as an unsigned integer value  $n$ . As a result, it codes the total available user memory size as  $2^n$ . If the least significant bit is 0b, the user memory size is exactly  $2^n$ . If the least significant bit is 1b, the user memory size is between  $2^n$  and  $2^{n+1}$ .

The user memory for the MF0UL11 is 48 bytes. This memory size is between 32d bytes and 64d bytes. Therefore, the most significant 7 bits of the value 0Bh, are interpreted as 5d and the least significant bit is 1b.

The user memory for the MF0UL21 is 128 bytes. This memory size is exactly 128d. Therefore, the most significant 7 bits of the value 0Eh, are interpreted as 7d and the least significant bit is 0b.

10.2 READ

The READ command requires a start page address, and returns the 16 bytes of four MIFARE Ultralight pages. For example if address (Addr) is 03h then pages 03h, 04h, 05h, 06h are returned. Special conditions apply if the READ command address is near the end of the accessible memory area. The special conditions also apply if at least part of the addressed pages is within a password protected area. For details on those cases and the command structure, refer to [Figure 12](#) and [Table 12](#).

[Table 13](#) shows the required timing.

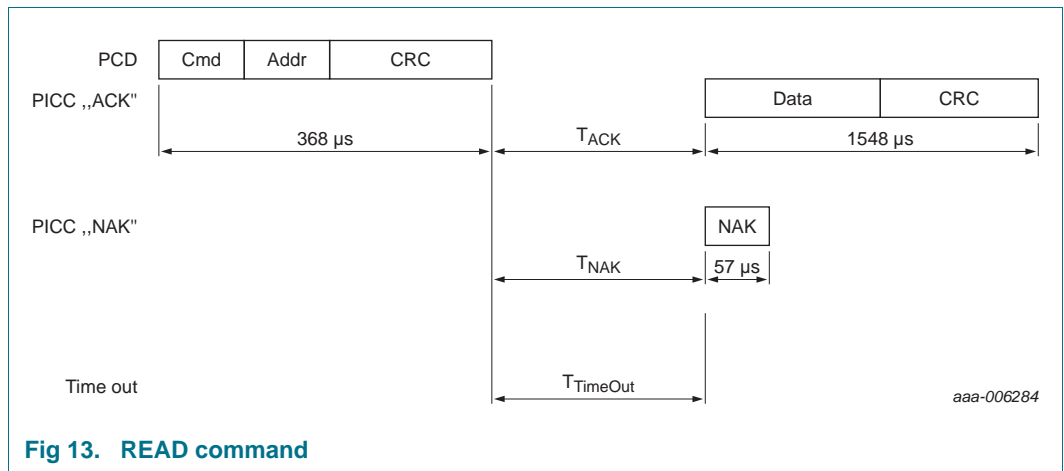


Fig 13. READ command

Table 15. READ command

Name	Code	Description	Length
Cmd	30h	read four pages	1 byte
Addr	-	start page address	1 byte
CRC	-	CRC according to <a href="#">Ref. 1</a>	2 bytes
Data	-	Data content of the addressed pages	16 bytes
NAK	see <a href="#">Table 9</a>	see <a href="#">Section 9.3</a>	4-bit

Table 16. READ timing

These times exclude the end of communication of the PCD.

	T <sub>ACK</sub> min	T <sub>ACK</sub> max	T <sub>NAK</sub> min	T <sub>NAK</sub> max	T <sub>TimeOut</sub>
READ	n=9	T <sub>TimeOut</sub>	n=9	T <sub>TimeOut</sub>	5 ms



In the initial state of the MF0ULx1, all memory pages are allowed as Addr parameter to the READ command.

- page address 00h to 13h for the MF0UL11
- page address 00h to 28h for the MF0UL21

Addressing a memory page beyond the limits above results in a NAK response from the MF0ULx1.

A roll-over mechanism is implemented to continue reading from page 00h once the end of the accessible memory is reached. Reading from address 11h on a MF0UL11 results in pages 11h, 12h, 13h and 00h being returned.

The following conditions apply if part of the memory is password protected for read access:

- if the MF0ULx1 is in the ACTIVE state
  - addressing a page which is equal or higher than AUTH0 results in a NAK response
  - addressing a page lower than AUTH0 results in data being returned with the roll-over mechanism occurring just before the AUTH0 defined page
- if the MF0ULx1 is in the AUTHENTICATED state
  - the READ command behaves like on a MF0ULx1 without access protection

**Remark:** PWD and PACK values can never be read out of the memory. When reading from the pages holding those two values, all 00h bytes are replied to the PCD instead.

### 10.3 FAST\_READ

The FAST\_READ command requires a start page address and an end page address and returns the all n\*4 bytes of the addressed pages. For example if the start address is 03h and the end address is 07h then pages 03h, 04h, 05h, 06h and 07h are returned. If the addressed page is outside of accessible area, the MF0ULx1 replies a NAK. For details on those cases and the command structure, refer to [Figure 14](#) and [Table 17](#).

[Table 18](#) shows the required timing.

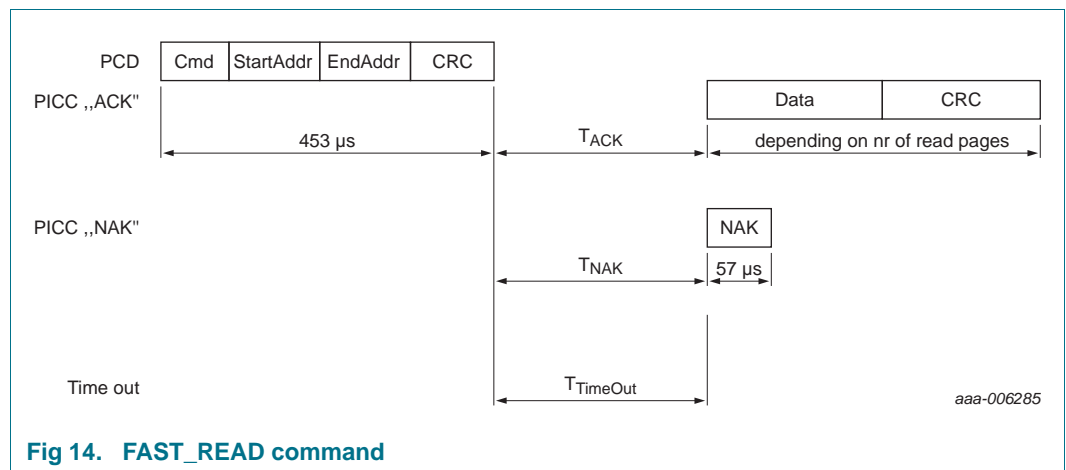


Fig 14. FAST\_READ command

Table 17. FAST\_READ command

Name	Code	Description	Length
Cmd	3Ah	read multiple pages	1 byte
StartAddr	-	start page address	1 byte
EndAddr	-	end page address	1 byte
CRC	-	CRC according to <a href="#">Ref. 1</a>	2 bytes
Data	-	data content of the addressed pages	n*4 bytes
NAK	see <a href="#">Table 9</a>	see <a href="#">Section 9.3</a>	4-bit

Table 18. FAST\_READ timing

These times exclude the end of communication of the PCD.

	T <sub>ACK min</sub>	T <sub>ACK max</sub>	T <sub>NAK min</sub>	T <sub>NAK max</sub>	T <sub>TimeOut</sub>
FAST_READ	n=9	T <sub>TimeOut</sub>	n=9	T <sub>TimeOut</sub>	5 ms

In the initial state of the MF0ULx1, all memory pages are allowed as StartAddr parameter to the FAST\_READ command.

- page address 00h to 13h for the MF0UL11
- page address 00h to 28h for the MF0UL21

Addressing a memory page beyond the limits above results in a NAK response from the MF0ULx1.

The EndAddr parameter must be equal to or higher than the StartAddr.

The following conditions apply if part of the memory is password protected for read access:

- if the MF0ULx1 is in the ACTIVE state
  - if any requested page address is equal or higher than AUTH0 a NAK is replied
- if the MF0ULx1 is in the AUTHENTICATED state
  - the FAST\_READ command behaves like on a MF0ULx1 without access protection

**Remark:** PWD and PACK values can never be read out of the memory. When reading from the pages holding those two values, all 00h bytes are replied to the PCD instead.

**Remark:** The FAST\_READ command is able to read out the whole memory with one command. Nevertheless, receive buffer of the PCD must be able to handle the requested amount of data as there is no chaining possibility.

10.4 WRITE

The WRITE command requires a block address, and writes 4 bytes of data into the addressed MIFARE Ultralight EV1 page. The WRITE command is shown in [Figure 15](#) and [Table 19](#).

[Table 20](#) shows the required timing.

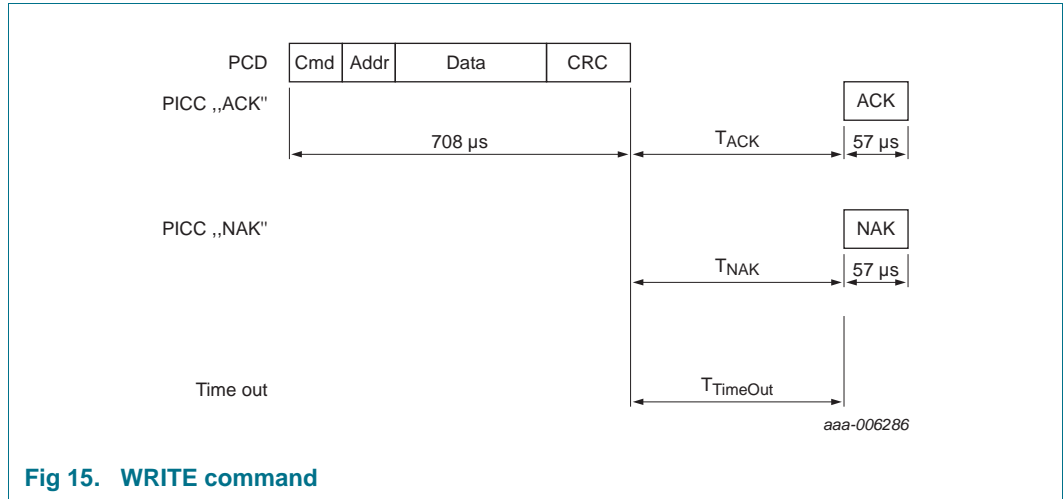


Fig 15. WRITE command

Table 19. WRITE command

Name	Code	Description	Length
Cmd	A2h	write one page	1 byte
Addr	-	page address	1 byte
CRC	-	CRC according to <a href="#">Ref. 1</a>	2 bytes
Data	-	data	4 bytes
NAK	see <a href="#">Table 9</a>	see <a href="#">Section 9.3</a>	4-bit

Table 20. WRITE timing

These times exclude the end of communication of the PCD.

	T <sub>ACK min</sub>	T <sub>ACK max</sub>	T <sub>NAK min</sub>	T <sub>NAK max</sub>	T <sub>TimeOut</sub>
WRITE	n=9	T <sub>TimeOut</sub>	n=9	T <sub>TimeOut</sub>	5 ms

In the initial state of the MF0ULx1, the following memory pages are valid Addr parameters to the WRITE command.

- page address 02h to 13h for the MF0UL11
- page address 02h to 28h for the MF0UL21

Addressing a memory page beyond the limits above results in a NAK response from the MF0ULx1.

Pages which are locked against writing cannot be reprogrammed using any write command. The locking mechanisms include lock bits as well as the locking of the configuration pages.

The following conditions apply if part of the memory is password protected for write access:

- if the MF0ULx1 is in the ACTIVE state
  - writing to a page which address is equal or higher than AUTH0 results in a NAK response
- if the MF0ULx1 is in the AUTHENTICATED state
  - the WRITE command behaves like on a MF0ULx1 without access protection

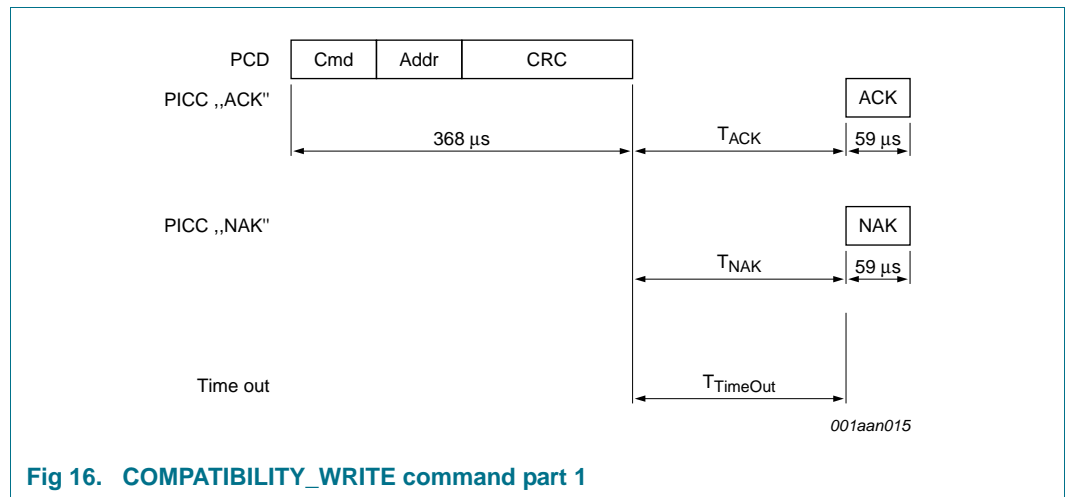
The MF0ULx1 features tearing protected write operations to specific memory content. The following pages are protected against tearing events during a WRITE operation:

- page 2 containing lock bits
- page 3 containing OTP bits
- page 36 containing the additional lock bits for the MF0UL21

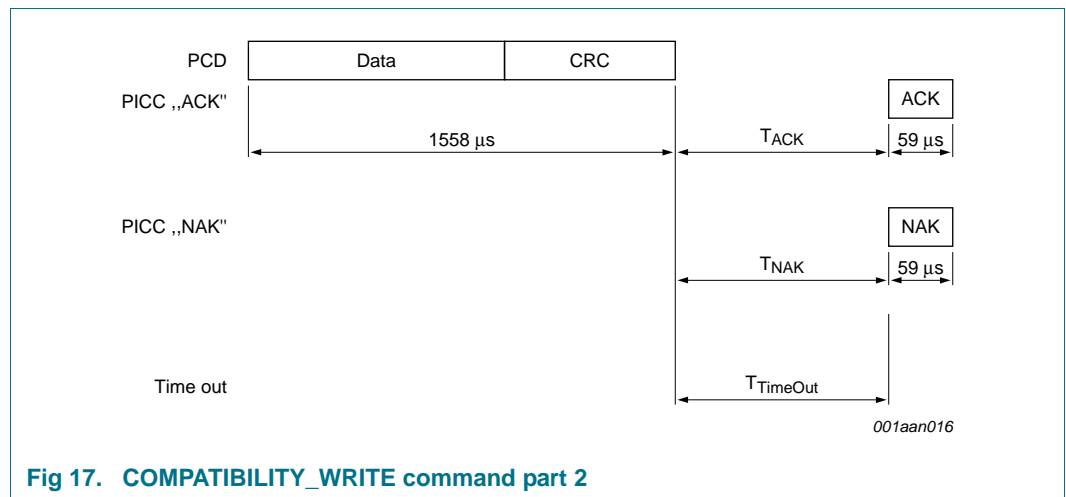
**10.5 COMPATIBILITY\_WRITE**

The COMPATIBILITY\_WRITE command is implemented to accommodate the established MIFARE Classic PCD infrastructure. Even though 16 bytes are transferred to the MFOULx1, only the least significant 4 bytes (bytes 0 to 3) are written to the specified address. Set all the remaining bytes, 04h to 0Fh, to logic 00h. The COMPATIBILITY\_WRITE command is shown in [Figure 16](#) and [Table 19](#).

[Table 22](#) shows the required timing.



**Fig 16. COMPATIBILITY\_WRITE command part 1**



**Fig 17. COMPATIBILITY\_WRITE command part 2**

**Table 21. COMPATIBILITY\_WRITE command**

Name	Code	Description	Length
Cmd	A0h	compatibility write	1 byte
Addr	-	page address	1 byte
CRC	-	CRC according to <a href="#">Ref. 1</a>	2 bytes
Data	-	16-byte Data, only least significant 4 bytes are written	16 bytes
NAK	see <a href="#">Table 9</a>	see <a href="#">Section 9.3</a>	4-bit

**Table 22. COMPATIBILITY\_WRITE timing**

*These times exclude the end of communication of the PCD.*

	T <sub>ACK</sub> min	T <sub>ACK</sub> max	T <sub>NAK</sub> min	T <sub>NAK</sub> max	T <sub>TimeOut</sub>
COMPATIBILITY_WRITE part 1	n=9	T <sub>TimeOut</sub>	n=9	T <sub>TimeOut</sub>	5 ms
COMPATIBILITY_WRITE part 2	n=9	T <sub>TimeOut</sub>	n=9	T <sub>TimeOut</sub>	10 ms

In the initial state of the MF0ULx1, the following memory pages are valid Addr parameters to the COMPATIBILITY\_WRITE command.

- page address 02h to 13h for the MF0UL11
- page address 02h to 28h for the MF0UL21

Addressing a memory page beyond the limits above results in a NAK response from the MF0ULx1.

Pages which are locked against writing cannot be reprogrammed using any write command. The locking mechanisms include lock bits as well as the locking of the configuration pages.

The following conditions apply if part of the memory is password protected for write access:

- if the MF0ULx1 is in the ACTIVE state
  - writing to a page which address is equal or higher than AUTH0 results in a NAK response
- if the MF0ULx1 is in the AUTHENTICATED state
  - the COMPATIBILITY\_WRITE command behaves the same as on a MF0ULx1 without access protection

The MF0ULx1 features tearing protected write operations to specific memory content. The following pages are protected against tearing events during a COMPATIBILITY\_WRITE operation:

- page 2 containing lock bits
- page 3 containing OTP bits
- page 36 containing the additional lock bits for the MF0UL21

10.6 READ\_CNT

The READ\_CNT command is used to read out the current value of one of the 3 one-way counters of the MF0ULx1. The command has a single argument specifying the counter number and returns the 24-bit counter value of the corresponding counter. The counters are always readable, independent on the password protection settings. The command structure is shown in [Figure 18](#) and [Table 23](#).

[Table 24](#) shows the required timing.

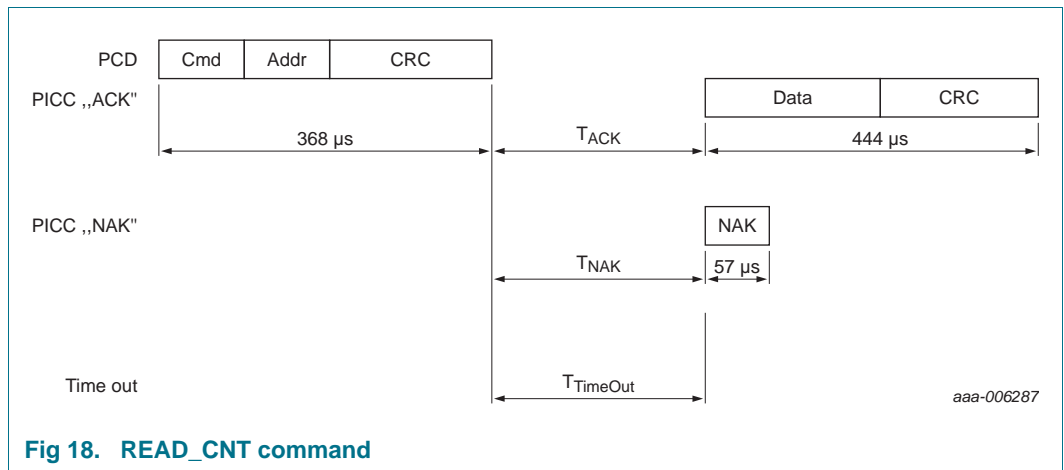


Fig 18. READ\_CNT command

Table 23. READ\_CNT command

Name	Code	Description	Length
Cmd	39h	read counter	1 byte
Addr	-	counter number from 00h to 02h	1 byte
CRC	-	CRC according to <a href="#">Ref. 1</a>	2 bytes
Data	-	counter value	3 bytes
NAK	see <a href="#">Table 9</a>	see <a href="#">Section 9.3</a>	4-bit

Table 24. READ\_CNT timing

These times exclude the end of communication of the PCD.

	T <sub>ACK</sub> min	T <sub>ACK</sub> max	T <sub>NAK</sub> min	T <sub>NAK</sub> max	T <sub>TimeOut</sub>
READ_CNT	n=9	T <sub>TimeOut</sub>	n=9	T <sub>TimeOut</sub>	5 ms



### 10.7 INCR\_CNT

The INCR\_CNT command is used to increment one of the 3 one-way counters of the MFOULx1. The two arguments are the counter number and the increment value. The INCR\_CNT command is shown in [Figure 19](#) and [Table 25](#).

[Table 26](#) shows the required timing.

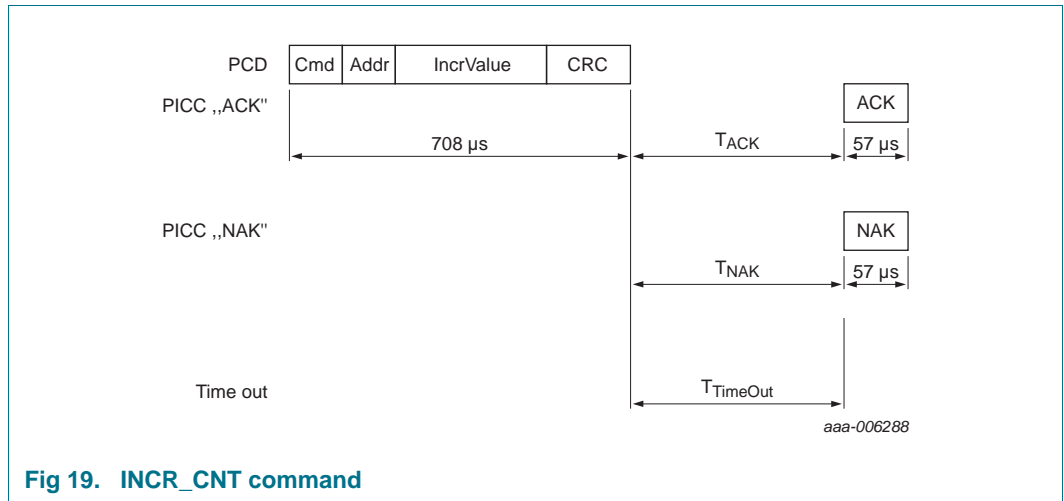


Fig 19. INCR\_CNT command

Table 25. INCR\_CNT command

Name	Code	Description	Length
Cmd	A5h	increment counter	1 byte
Addr	-	counter number from 00h to 02h	1 byte
IncrValue	-	increment value, only the 3 least significant bytes are relevant	4 byte
CRC	-	CRC according to <a href="#">Ref. 1</a>	2 bytes
NAK	see <a href="#">Table 9</a>	see <a href="#">Section 9.3</a>	4-bit

Table 26. INCR\_CNT timing

These times exclude the end of communication of the PCD.

	T <sub>ACK min</sub>	T <sub>ACK max</sub>	T <sub>NAK min</sub>	T <sub>NAK max</sub>	T <sub>TimeOut</sub>
INCR_CNT	n=9	T <sub>TimeOut</sub>	n=9	T <sub>TimeOut</sub>	5 ms

The IncrValue argument is a 4-byte field to support the same command structure as the WRITE command. As the counter width is only 3 byte, the last transmitted, most significant byte is ignored.

Any increment value is allowed. Nevertheless, the final counter value is FFFFFFFh. No further increment is possible after the final value is reached. Also, trying to increment the current value by a number which would exceed the final value leads to a NAK response and the counter remains unchanged. An increment by 0 is allowed but leaves the counter unchanged.

The order of bytes in the increment argument follows the same order that the bytes are sent via the communication interface. This means from the LSbyte (IncrValue0) to MSbyte (IncrValue3), where the last valid byte is actually IncrValue2. It is in line with the arguments consisting of multiple bytes for other commands. As an example, an increment of the counter 00h by 01h, is formulated as INCR CNT 00 01 00 00 00.

The INCR\_CNT command features anti-tearing support.

### 10.8 PWD\_AUTH

A protected memory area can be accessed only after a successful password verification using the PWD\_AUTH command. The AUTH0 configuration byte defines the protected area. It specifies the first page that the password mechanism protects. The level of protection can be configured using the PROT bit either for write protection or read/write protection. The PWD\_AUTH command takes the password as parameter and, if successful, returns the password authentication acknowledge, PACK. By setting the AUTHLIM configuration bits to a value larger than 000b, the number of unsuccessful password verifications can be limited. Each unsuccessful authentication is then counted in a counter featuring anti-tearing support. After reaching the limit of unsuccessful attempts, the memory access specified in PROT, is no longer possible. The PWD\_AUTH command is shown in [Figure 15](#) and [Table 19](#).

[Table 20](#) shows the required timing.

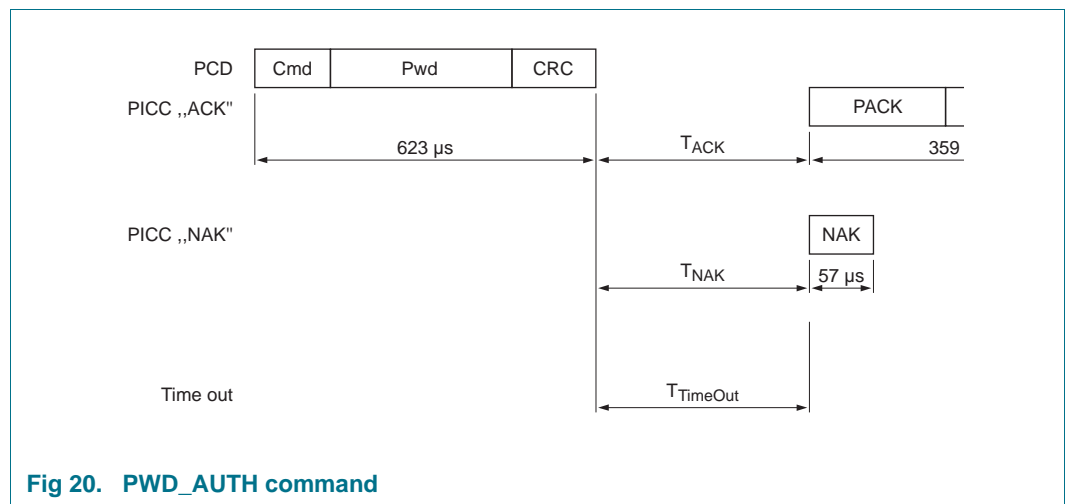


Fig 20. PWD\_AUTH command

Table 27. PWD\_AUTH command

Name	Code	Description	Length
Cmd	1Bh	password authentication	1 byte
Pwd	-	password	4 bytes
CRC	-	CRC according to <a href="#">Ref. 1</a>	2 bytes
PACK	-	password authentication acknowledge	2 bytes
NAK	see <a href="#">Table 9</a>	see <a href="#">Section 9.3</a>	4-bit

Table 28. PWD\_AUTH timing

These times exclude the end of communication of the PCD.

	T <sub>ACK</sub> min	T <sub>ACK</sub> max	T <sub>NAK</sub> min	T <sub>NAK</sub> max	T <sub>TimeOut</sub>
PWD_AUTH	n=9	T <sub>TimeOut</sub>	n=9	T <sub>TimeOut</sub>	5 ms

**Remark:** It is strongly recommended to change the password from its delivery state at ticket issuing and set the AUTH0 value to the PWD page.

10.9 READ\_SIG

The READ\_SIG command returns an IC-specific, 32-byte ECC signature, to verify NXP Semiconductors as the silicon vendor. The signature is programmed at chip production and cannot be changed afterwards. The command structure is shown in [Figure 21](#) and [Table 29](#).

[Table 30](#) shows the required timing.

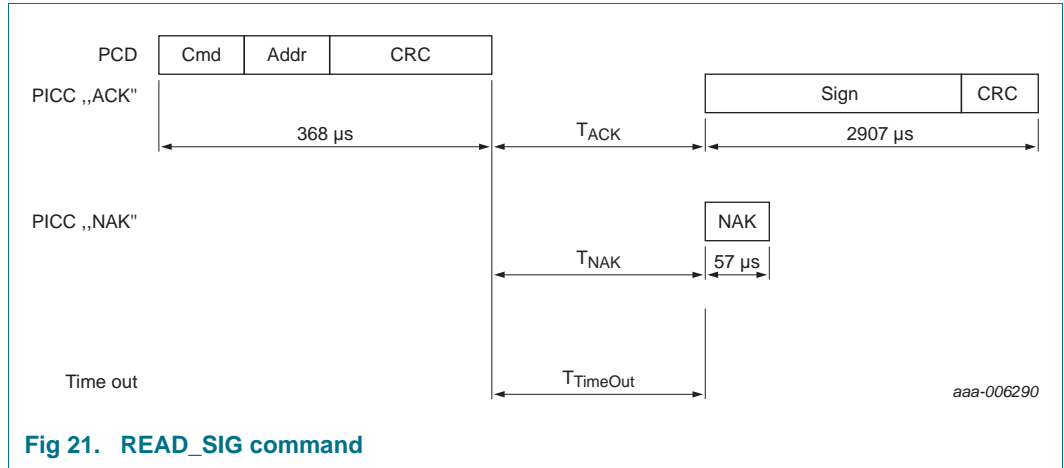


Fig 21. READ\_SIG command

Table 29. READ\_SIG command

Name	Code	Description	Length
Cmd	3Ch	read ECC signature	1 byte
Addr	00h	RFU, is set to 00h	1 byte
CRC	-	CRC according to <a href="#">Ref. 1</a>	2 bytes
Sign	-	ECC signature	32 bytes
NAK	see <a href="#">Table 9</a>	see <a href="#">Section 9.3</a>	4-bit

Table 30. READ\_SIG timing

These times exclude the end of communication of the PCD.

	T <sub>ACK min</sub>	T <sub>ACK max</sub>	T <sub>NAK min</sub>	T <sub>NAK max</sub>	T <sub>TimeOut</sub>
READ_SIG	n=9	T <sub>TimeOut</sub>	n=9	T <sub>TimeOut</sub>	5 ms

[Ref. 7](#) describes the signature verification procedure.

10.10 CHECK\_TEARING\_EVENT

The CHECK\_TEARING\_EVENT command enables the application to identify if a tearing event happened on a specified counter element. It takes the counter number as single argument and returns a specified valid flag for this counter. If the returned valid flag is not equal to the predefined value, a tearing event happened. Note, although a tearing event might have happened on the counter, a valid value corresponding to the last valid counter status is still available using the READ\_CNT command. The command structure is shown in Figure 12 and Table 12.

Table 13 shows the required timing.

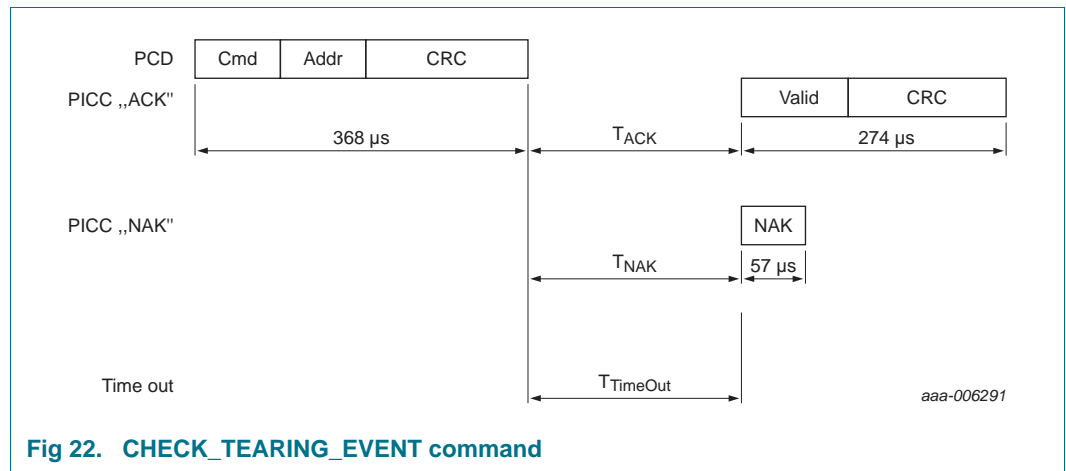


Fig 22. CHECK\_TEARING\_EVENT command

Table 31. CHECK\_TEARING\_EVENT command

Name	Code	Description	Length
Cmd	3Eh	check tearing event	1 byte
Addr	-	counter number from 00h to 02h	1 byte
CRC	-	CRC according to Ref. 1	2 bytes
Valid	-	valid flag	1 byte
NAK	see Table 9	see Section 9.3	4-bit

Table 32. CHECK\_TEARING\_EVENT timing

These times exclude the end of communication of the PCD.

	T <sub>ACK</sub> min	T <sub>ACK</sub> max	T <sub>NAK</sub> min	T <sub>NAK</sub> max	T <sub>TimeOut</sub>
CHECK_TEARING_EVENT	n=9	T <sub>TimeOut</sub>	n=9	T <sub>TimeOut</sub>	5 ms

The valid flag for normal operation is BDh. If any other value than BDh is replied on the CHECK\_TEARING\_EVENT command, a tearing event has happened on the addressed counter.

The application can use this information to base business logic decisions on.

10.11 VCSL

The VCSL command is used to enable a unique identification and selection process across different MIFARE cards and card implementations on mobile devices. The command requires a 16-byte installation identifier IID and a 4-byte PCD capability value as parameters. The parameters are present to support compatibility to other MIFARE devices but are not used or checked inside the MFOULx1. Nevertheless, the number of bytes is checked for correctness. The answer to the VCSL command is the virtual card type identifier VCTID. This identifier indicates the type of card or ticket. Using this information, the reader can decide whether the ticket belongs to the installation or not. The command structure is shown in [Figure 23](#) and [Table 33](#).

[Table 34](#) shows the required timing.

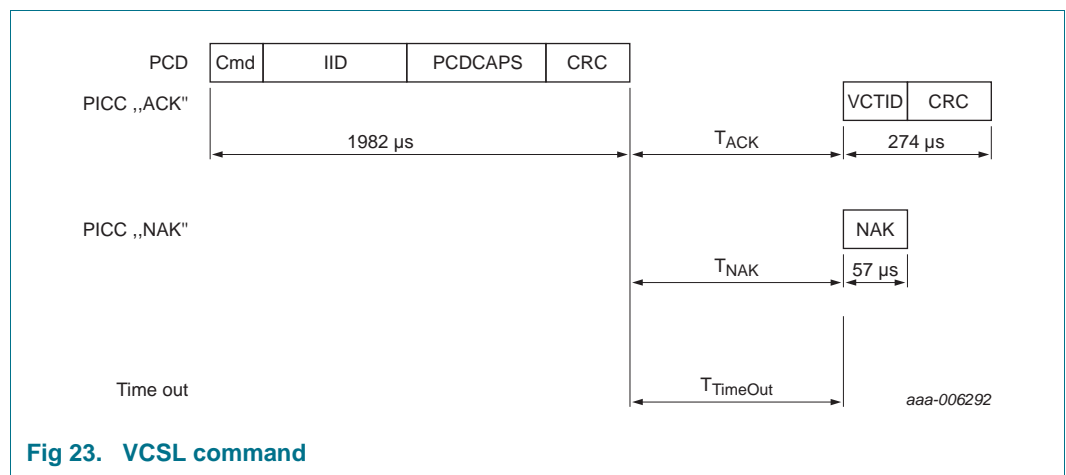


Fig 23. VCSL command

Table 33. VCSL command

Name	Code	Description	Length
Cmd	4B	read four pages	1 byte
IID	-	installation identifier	16 bytes
PCDCAPS	-	PCD capabilities	4 bytes
CRC	-	CRC according to <a href="#">Ref. 1</a>	2 bytes
VCTID	-	virtual Card Type Identifier	1 byte
NAK	see <a href="#">Table 9</a>	see <a href="#">Section 9.3</a>	4-bit

Table 34. VCSL timing

These times exclude the end of communication of the PCD.

	T <sub>ACK min</sub>	T <sub>ACK max</sub>	T <sub>NAK min</sub>	T <sub>NAK max</sub>	T <sub>TimeOut</sub>
VCSL	n=9	T <sub>TimeOut</sub>	n=9	T <sub>TimeOut</sub>	5 ms

## 11. Limiting values

Stresses exceeding one or more of the limiting values, can cause permanent damage to the device. Exposure to limiting values for extended periods can affect device reliability.

**Table 35. Limiting values**

*In accordance with the Absolute Maximum Rating System (IEC 60134).*

Symbol	Parameter	Min	Max	Unit
$I_I$	input current	-	40	mA
$P_{tot}/pack$	total power dissipation per package	-	120	mW
$T_{stg}$	storage temperature	-55	125	°C
$T_{amb}$	ambient temperature	-25	70	°C
$V_{ESD}$	electrostatic discharge voltage on LA/LB <a href="#">[1]</a>	2	-	kV

[1] ANSI/ESDA/JEDEC JS-001; Human body model: C = 100 pF, R = 1.5 kΩ

## 12. Characteristics

**Table 36. Characteristics**

Symbol	Parameter	Conditions	Min	Typ	Max	Unit
$C_i$	input capacitance	<a href="#">[1]</a>	-	17.0	-	pF
$f_i$	input frequency		-	13.56	-	MHz
<b>EEPROM characteristics</b>						
$t_{ret}$	retention time	$T_{amb} = 22\text{ °C}$	10	-	-	year
$N_{endu(W)}$	write endurance	$T_{amb} = 22\text{ °C}$	100000	-	-	cycle
$N_{endu(W)}$	write endurance counters	$T_{amb} = 22\text{ °C}$	100000	1000000	-	cycle

[1] LCR meter,  $T_{amb} = 22\text{ °C}$ ,  $f_i = 13.56\text{ MHz}$ , 2 V RMS

## 13. Wafer specification

**Table 37. Wafer specifications MF0ULx1**

<b>Wafer</b>		
diameter		200 mm typical (8 inches)
maximum diameter after foil expansion		210 mm
die separation process		laser dicing
thickness	MF0ULx101DUD	120 $\mu\text{m} \pm 15 \mu\text{m}$
	MF0ULx101DUF	75 $\mu\text{m} \pm 10 \mu\text{m}$
flatness		not applicable
Potential Good Dies per Wafer (PGDW)		103682
<b>Wafer backside</b>		
material		Si
treatment		ground and stress relieve
roughness		$R_a$ max = 0.5 $\mu\text{m}$ $R_t$ max = 5 $\mu\text{m}$
<b>Chip dimensions</b>		
step size <sup>[1]</sup>		x = 505 $\mu\text{m}$ y = 590 $\mu\text{m}$
gap between chips <sup>[1]</sup>		typical = 20 $\mu\text{m}$ minimum = 5 $\mu\text{m}$
<b>Passivation</b>		
type		sandwich structure
material		PSG / nitride
thickness		500 nm / 600 nm
<b>Au bump (substrate connected to VSS)</b>		
material		> 99.9 % pure Au
hardness		35 to 80 HV 0.005
shear strength		> 70 MPa
height		18 $\mu\text{m}$
height uniformity		within a die = $\pm 2 \mu\text{m}$ within a wafer = $\pm 3 \mu\text{m}$ wafer to wafer = $\pm 4 \mu\text{m}$
flatness		minimum = $\pm 1.5 \mu\text{m}$
size		LA, LB, GND, TP <sup>[2]</sup> = 60 $\mu\text{m} \times 60 \mu\text{m}$
size variation		$\pm 5 \mu\text{m}$
under bump metallization		sputtered TiW

[1] The step size and the gap between chips may vary due to changing foil expansion

[2] Pads GND and TP are disconnected when wafer is sawn

### 13.1 Fail die identification

Electronic wafer mapping covers the electrical test results and the results of mechanical/visual inspection. No ink dots are applied.



14. Package outline

For more details on the contactless MOA8 module, refer to [Ref. 5](#).

PLLMC: plastic leadless module carrier package; 35 mm wide tape

SOT500-4

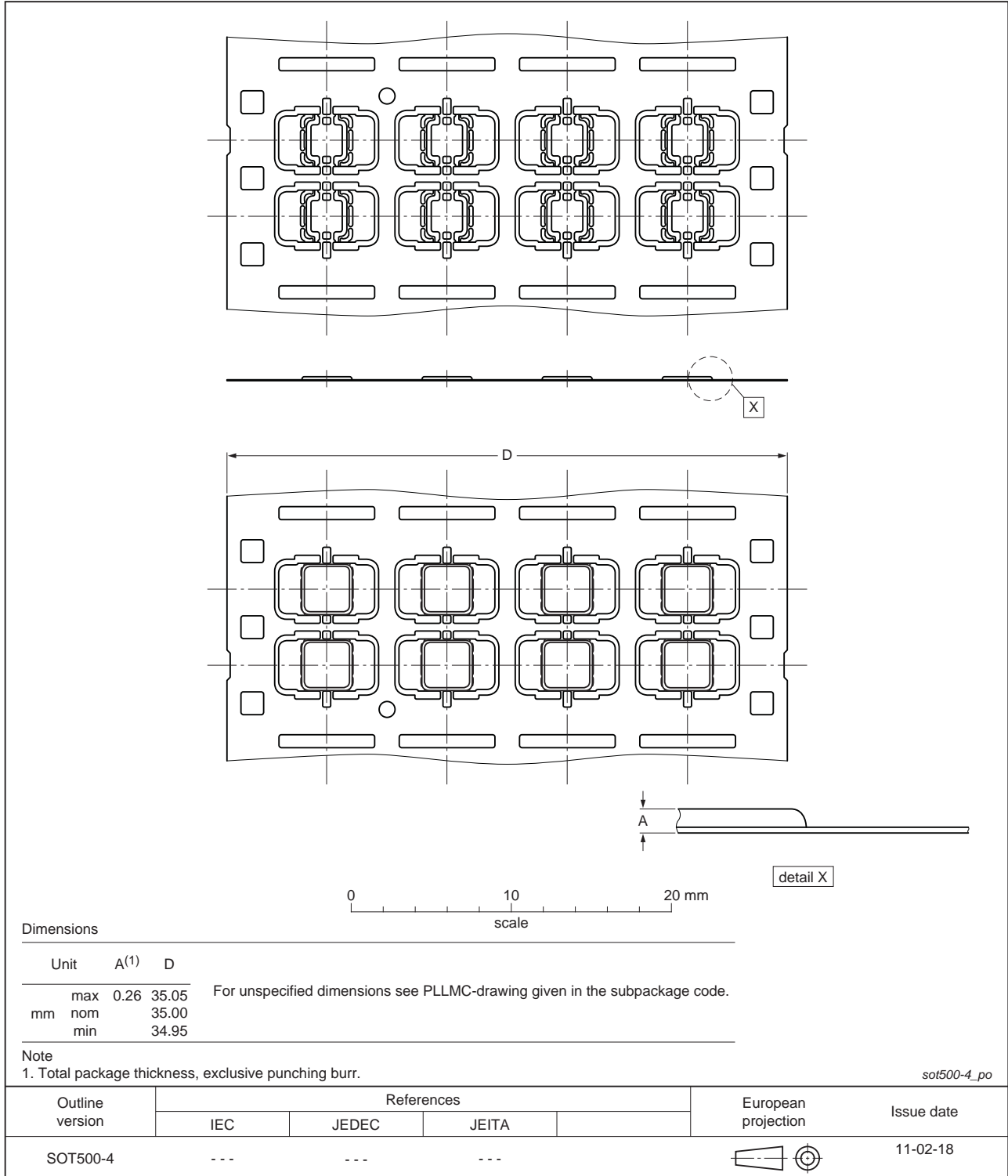


Fig 24. Package outline SOT500-4

14.1 Bare die outline

For more details on the wafer delivery forms, see [Ref. 6](#).

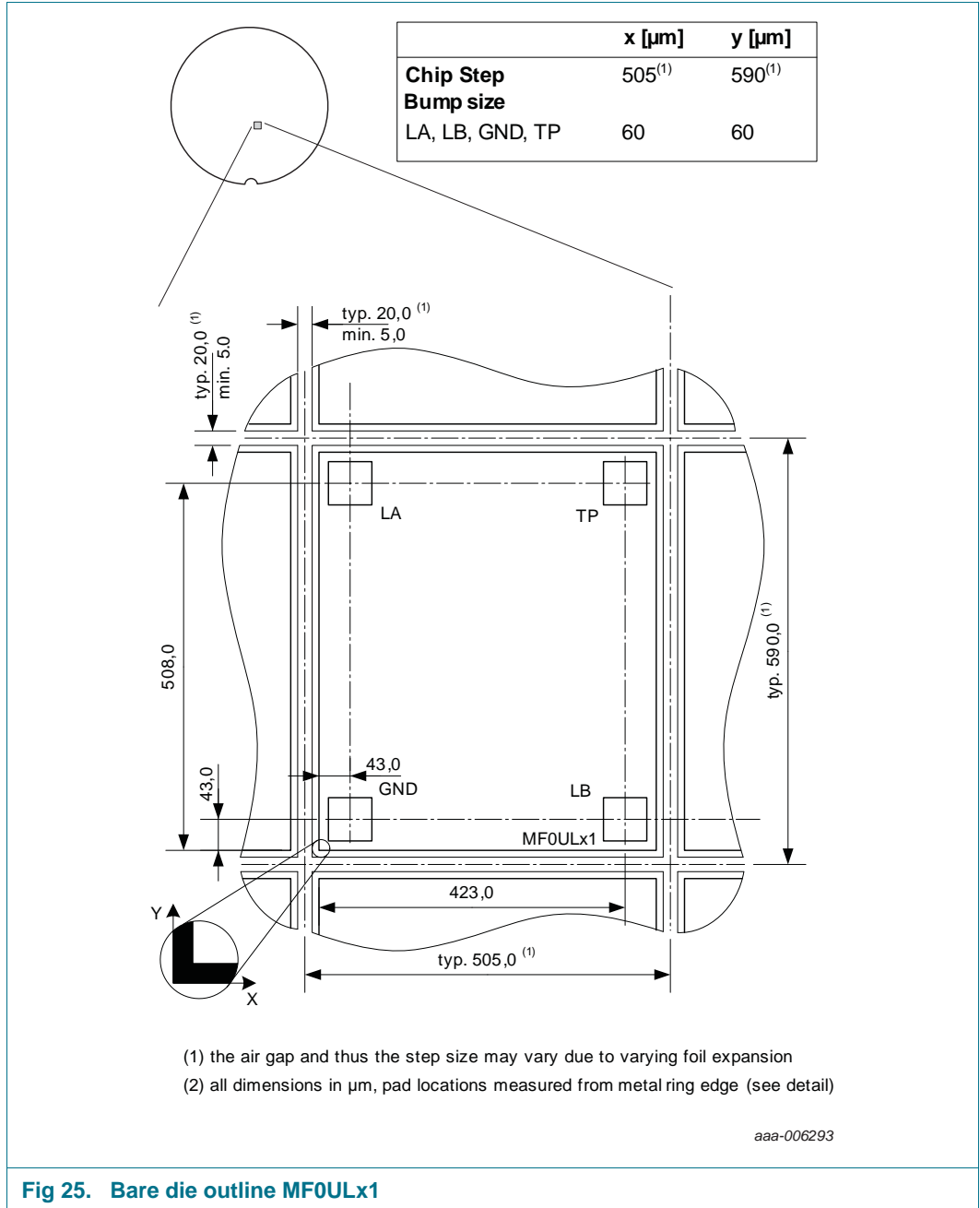


Fig 25. Bare die outline MF0ULx1

## 15. Abbreviations

**Table 38. Abbreviations and symbols**

Acronym	Description
ACK	Acknowledge
ATQA	Answer to request: Type A
CRC	Cyclic Redundancy Check
CT	Cascade Tag (value 88h) as defined in ISO/IEC 14443-3 Type A
ECC	Elliptic Curve Cryptography
EEPROM	Electrically Erasable Programmable Read-Only Memory
FDT	Frame Delay Time
FFC	Film Frame Carrier
IC	Integrated Circuit
IID	Installation Identifier
LCR	L = inductance, Capacitance, Resistance (LCR meter)
LSB	Least Significant Bit
LSByte	Least Significant Byte
MSByte	Most Significant Byte
NAK	Not acknowledge
NV	Non-Volatile memory
OTP	One Time Programmable
PCD	Proximity Coupling Device (contactless reader)
PCDCAPS	PCD Capability bytes
PICC	Proximity Integrated Circuit Card (contactless card)
REQA	Request command: Type A
RF	Radio Frequency
RFUI	Reserver for Future Use - Implemented
RMS	Root Mean Square
SAK	Select acknowledge: Type A
SECS-II	SEMI Equipment Communications Standard part 2
TiW	Titanium Tungsten
UID	Unique identifier
VCTID	Virtual Card Type Identifier
WUPA	Wake-Up Protocol: Type A

## 16. References

---

- [1] **ISO/IEC 14443** — International Organization for Standardization
- [2] **MIFARE (Card) Coil Design Guide** — Application note, BU-ID Document number 0117\*\*[1](#)
- [3] **MIFARE Type Identification Procedure** — Application note, BU-ID Document number 0184\*\*[1](#)
- [4] **MIFARE ISO/IEC 14443 PICC Selection** — Application note, BU-ID Document number 1308\*\*[1](#)
- [5] **Contactless smart card module specification MOA8** — Delivery Type Description, BU-ID Document number 1636\*\*[1](#)
- [6] **General specification for 8" wafer on UV-tape; delivery types** — Delivery Type Description, BU-ID Document number 1005\*\*[1](#)
- [7] **AN073121 MIFARE Ultralight Features and Hints** — Application note, BU-ID Document number 0731\*\*
- [8] **ISO/IEC 15457-1 Identification cards** — Thin flexible cards

---

1. \*\* ... document version number

## 17. Revision history

Table 39. Revision history

Document ID	Release date	Data sheet status	Change notice	Supersedes
MF0ULx1 v.3.0	20130219	Product data sheet	-	234521
Modifications:	<ul style="list-style-type: none"> <li>• Editorial changes</li> <li>• Security status changed into "COMPANY PUBLIC"</li> <li>• Added default values for configuration elements in <a href="#">Table 7</a></li> <li>• Corrected response timing in <a href="#">Figure 18</a></li> <li>• Corrected PCDCAPS length in <a href="#">Table 33</a></li> <li>• Changed EEPROM reliability parameters for counters</li> </ul>			
234521	20120928	Preliminary data sheet	-	234520
Modifications:	<ul style="list-style-type: none"> <li>• Editorial changes</li> <li>• Changed EEPROM reliability parameters</li> </ul>			
234520	20120525	Objective data sheet	-	-
	<ul style="list-style-type: none"> <li>• Initial version</li> </ul>			

## 18. Legal information

### 18.1 Data sheet status

Document status <sup>[1][2]</sup>	Product status <sup>[3]</sup>	Definition
Objective [short] data sheet	Development	This document contains data from the objective specification for product development.
Preliminary [short] data sheet	Qualification	This document contains data from the preliminary specification.
Product [short] data sheet	Production	This document contains the product specification.

[1] Please consult the most recently issued document before initiating or completing a design.

[2] The term 'short data sheet' is explained in section "Definitions".

[3] The product status of device(s) described in this document may have changed since this document was published and may differ in case of multiple devices. The latest product status information is available on the Internet at URL <http://www.nxp.com>.

### 18.2 Definitions

**Draft** — The document is a draft version only. The content is still under internal review and subject to formal approval, which may result in modifications or additions. NXP Semiconductors does not give any representations or warranties as to the accuracy or completeness of information included herein and shall have no liability for the consequences of use of such information.

**Short data sheet** — A short data sheet is an extract from a full data sheet with the same product type number(s) and title. A short data sheet is intended for quick reference only and should not be relied upon to contain detailed and full information. For detailed and full information see the relevant full data sheet, which is available on request via the local NXP Semiconductors sales office. In case of any inconsistency or conflict with the short data sheet, the full data sheet shall prevail.

**Product specification** — The information and data provided in a Product data sheet shall define the specification of the product as agreed between NXP Semiconductors and its customer, unless NXP Semiconductors and customer have explicitly agreed otherwise in writing. In no event however, shall an agreement be valid in which the NXP Semiconductors product is deemed to offer functions and qualities beyond those described in the Product data sheet.

### 18.3 Disclaimers

**Limited warranty and liability** — Information in this document is believed to be accurate and reliable. However, NXP Semiconductors does not give any representations or warranties, expressed or implied, as to the accuracy or completeness of such information and shall have no liability for the consequences of use of such information. NXP Semiconductors takes no responsibility for the content in this document if provided by an information source outside of NXP Semiconductors.

In no event shall NXP Semiconductors be liable for any indirect, incidental, punitive, special or consequential damages (including - without limitation - lost profits, lost savings, business interruption, costs related to the removal or replacement of any products or rework charges) whether or not such damages are based on tort (including negligence), warranty, breach of contract or any other legal theory.

Notwithstanding any damages that customer might incur for any reason whatsoever, NXP Semiconductors' aggregate and cumulative liability towards customer for the products described herein shall be limited in accordance with the *Terms and conditions of commercial sale* of NXP Semiconductors.

**Right to make changes** — NXP Semiconductors reserves the right to make changes to information published in this document, including without limitation specifications and product descriptions, at any time and without notice. This document supersedes and replaces all information supplied prior to the publication hereof.

**Suitability for use** — NXP Semiconductors products are not designed, authorized or warranted to be suitable for use in life support, life-critical or safety-critical systems or equipment, nor in applications where failure or malfunction of an NXP Semiconductors product can reasonably be expected to result in personal injury, death or severe property or environmental damage. NXP Semiconductors and its suppliers accept no liability for inclusion and/or use of NXP Semiconductors products in such equipment or applications and therefore such inclusion and/or use is at the customer's own risk.

**Applications** — Applications that are described herein for any of these products are for illustrative purposes only. NXP Semiconductors makes no representation or warranty that such applications will be suitable for the specified use without further testing or modification.

Customers are responsible for the design and operation of their applications and products using NXP Semiconductors products, and NXP Semiconductors accepts no liability for any assistance with applications or customer product design. It is customer's sole responsibility to determine whether the NXP Semiconductors product is suitable and fit for the customer's applications and products planned, as well as for the planned application and use of customer's third party customer(s). Customers should provide appropriate design and operating safeguards to minimize the risks associated with their applications and products.

NXP Semiconductors does not accept any liability related to any default, damage, costs or problem which is based on any weakness or default in the customer's applications or products, or the application or use by customer's third party customer(s). Customer is responsible for doing all necessary testing for the customer's applications and products using NXP Semiconductors products in order to avoid a default of the applications and the products or of the application or use by customer's third party customer(s). NXP does not accept any liability in this respect.

**Limiting values** — Stress above one or more limiting values (as defined in the Absolute Maximum Ratings System of IEC 60134) will cause permanent damage to the device. Limiting values are stress ratings only and (proper) operation of the device at these or any other conditions above those given in the Recommended operating conditions section (if present) or the Characteristics sections of this document is not warranted. Constant or repeated exposure to limiting values will permanently and irreversibly affect the quality and reliability of the device.

**Terms and conditions of commercial sale** — NXP Semiconductors products are sold subject to the general terms and conditions of commercial sale, as published at <http://www.nxp.com/profile/terms>, unless otherwise agreed in a valid written individual agreement. In case an individual agreement is concluded only the terms and conditions of the respective agreement shall apply. NXP Semiconductors hereby expressly objects to applying the customer's general terms and conditions with regard to the purchase of NXP Semiconductors products by customer.

**No offer to sell or license** — Nothing in this document may be interpreted or construed as an offer to sell products that is open for acceptance or the grant, conveyance or implication of any license under any copyrights, patents or other industrial or intellectual property rights.

**Export control** — This document as well as the item(s) described herein may be subject to export control regulations. Export might require a prior authorization from competent authorities.

**Quick reference data** — The Quick reference data is an extract of the product data given in the Limiting values and Characteristics sections of this document, and as such is not complete, exhaustive or legally binding.

**Non-automotive qualified products** — Unless this data sheet expressly states that this specific NXP Semiconductors product is automotive qualified, the product is not suitable for automotive use. It is neither qualified nor tested in accordance with automotive testing or application requirements. NXP Semiconductors accepts no liability for inclusion and/or use of non-automotive qualified products in automotive equipment or applications.

In the event that customer uses the product for design-in and use in automotive applications to automotive specifications and standards, customer (a) shall use the product without NXP Semiconductors' warranty of the product for such automotive applications, use and specifications, and (b)

whenever customer uses the product for automotive applications beyond NXP Semiconductors' specifications such use shall be solely at customer's own risk, and (c) customer fully indemnifies NXP Semiconductors for any liability, damages or failed product claims resulting from customer design and use of the product for automotive applications beyond NXP Semiconductors' standard warranty and NXP Semiconductors' product specifications.

**Translations** — A non-English (translated) version of a document is for reference only. The English version shall prevail in case of any discrepancy between the translated and English versions.

## 18.4 Trademarks

Notice: All referenced brands, product names, service names and trademarks are the property of their respective owners.

**MIFARE Ultralight** — is a trademark of NXP B.V.

## 19. Contact information

For more information, please visit: <http://www.nxp.com>

For sales office addresses, please send an email to: [salesaddresses@nxp.com](mailto:salesaddresses@nxp.com)

## 20. Tables

Table 1.	Naming conventions	2
Table 2.	Quick reference data	3
Table 3.	Ordering information	4
Table 4.	Pin allocation table	5
Table 5.	Configuration Pages	15
Table 6.	ACCESS configuration byte	15
Table 7.	Configuration parameter descriptions	15
Table 8.	Command overview	19
Table 9.	ACK and NAK values	21
Table 10.	ATQA response of the MFOULx1	21
Table 11.	SAK response of the MFOULx1	21
Table 12.	GET_VERSION command	22
Table 13.	GET_VERSION timing	22
Table 14.	GET_VERSION response for MFOUL11 and MFOUL21	23
Table 15.	READ command	24
Table 16.	READ timing	24
Table 17.	FAST_READ command	26
Table 18.	FAST_READ timing	26
Table 19.	WRITE command	28
Table 20.	WRITE timing	28
Table 21.	COMPATIBILITY_WRITE command	30
Table 22.	COMPATIBILITY_WRITE timing	31
Table 23.	READ_CNT command	32
Table 24.	READ_CNT timing	32
Table 25.	INCR_CNT command	33
Table 26.	INCR_CNT timing	33
Table 27.	PWD_AUTH command	35
Table 28.	PWD_AUTH timing	35
Table 29.	READ_SIG command	36
Table 30.	READ_SIG timing	36
Table 31.	CHECK_TEARING_EVENT command	37
Table 32.	CHECK_TEARING_EVENT timing	37
Table 33.	VCSL command	38
Table 34.	VCSL timing	38
Table 35.	Limiting values	39
Table 36.	Characteristics	39
Table 37.	Wafer specifications MFOULx1	40
Table 38.	Abbreviations and symbols	43
Table 39.	Revision history	45



## 21. Figures

Fig 1.	Contactless system	1
Fig 2.	Block diagram of MF0ULx1	4
Fig 3.	Pin configuration for SOT500-4 (MOA8)	5
Fig 4.	State diagram	8
Fig 5.	Memory organization MF0UL11	11
Fig 6.	Memory organization MF0UL21	11
Fig 7.	UID/serial number	12
Fig 8.	Lock bytes 0 and 1	12
Fig 9.	Lock bytes 2-4	13
Fig 10.	OTP bytes	14
Fig 11.	Frame Delay Time (from PCD to PICC), T <sub>ACK</sub> and T <sub>NAK</sub>	20
Fig 12.	GET_VERSION command	22
Fig 13.	READ command	24
Fig 14.	FAST_READ command	26
Fig 15.	WRITE command	28
Fig 16.	COMPATIBILITY_WRITE command part 1	30
Fig 17.	COMPATIBILITY_WRITE command part 2	30
Fig 18.	READ_CNT command	32
Fig 19.	INCR_CNT command	33
Fig 20.	PWD_AUTH command	35
Fig 21.	READ_SIG command	36
Fig 22.	CHECK_TEARING_EVENT command	37
Fig 23.	VCSL command	38
Fig 24.	Package outline SOT500-4	41
Fig 25.	Bare die outline MF0ULx1	42

## 22. Contents

<b>1</b>	<b>General description</b> . . . . .	<b>1</b>	10.2	READ	24
1.1	Contactless energy and data transfer	1	10.3	FAST_READ	26
1.2	Anticollision	1	10.4	WRITE	28
1.3	Simple integration and user convenience	2	10.5	COMPATIBILITY_WRITE	30
1.4	Security	2	10.6	READ_CNT	32
1.5	Naming conventions	2	10.7	INCR_CNT	33
<b>2</b>	<b>Features and benefits</b> . . . . .	<b>3</b>	10.8	PWD_AUTH	35
2.1	EEPROM	3	10.9	READ_SIG	36
<b>3</b>	<b>Applications</b> . . . . .	<b>3</b>	10.10	CHECK_TEARING_EVENT	37
<b>4</b>	<b>Quick reference data</b> . . . . .	<b>3</b>	10.11	VCSL	38
<b>5</b>	<b>Ordering information</b> . . . . .	<b>4</b>	<b>11</b>	<b>Limiting values</b> . . . . .	<b>39</b>
<b>6</b>	<b>Block diagram</b> . . . . .	<b>4</b>	<b>12</b>	<b>Characteristics</b> . . . . .	<b>39</b>
<b>7</b>	<b>Pinning information</b> . . . . .	<b>5</b>	<b>13</b>	<b>Wafer specification</b> . . . . .	<b>40</b>
7.1	Pinning	5	13.1	Fail die identification	40
<b>8</b>	<b>Functional description</b> . . . . .	<b>6</b>	<b>14</b>	<b>Package outline</b> . . . . .	<b>41</b>
8.1	Block description	6	<b>14.1</b>	<b>Bare die outline</b> . . . . .	<b>42</b>
8.2	RF interface	7	<b>15</b>	<b>Abbreviations</b> . . . . .	<b>43</b>
8.3	Data integrity	7	<b>16</b>	<b>References</b> . . . . .	<b>44</b>
8.4	Communication principle	8	<b>17</b>	<b>Revision history</b> . . . . .	<b>45</b>
8.4.1	IDLE state	9	<b>18</b>	<b>Legal information</b> . . . . .	<b>46</b>
8.4.2	READY1 state	9	18.1	Data sheet status	46
8.4.3	READY2 state	9	18.2	Definitions	46
8.4.4	ACTIVE state	10	18.3	Disclaimers	46
8.4.5	AUTHENTICATED state	10	18.4	Trademarks	47
8.4.6	HALT state	10	<b>19</b>	<b>Contact information</b> . . . . .	<b>47</b>
8.5	Memory organization	11	<b>20</b>	<b>Tables</b> . . . . .	<b>48</b>
8.5.1	UID/serial number	12	<b>21</b>	<b>Figures</b> . . . . .	<b>49</b>
8.5.2	Lock byte 0 and byte 1	12	<b>22</b>	<b>Contents</b> . . . . .	<b>50</b>
8.5.3	Lock byte 2 to byte 4	13			
8.5.4	OTP bytes	14			
8.5.5	Data pages	14			
8.5.6	Configuration pages	15			
8.6	Password verification protection	16			
8.6.1	Programming of PWD and PACK	16			
8.6.2	Limiting negative verification attempts	17			
8.6.3	Protection of special memory segments	17			
8.7	Counter functionality	17			
8.8	Originality function	18			
8.9	Virtual Card Architecture Support	18			
<b>9</b>	<b>Command overview</b> . . . . .	<b>19</b>			
9.1	MIFARE Ultralight EV1 command overview	19			
9.2	Timing	20			
9.3	MIFARE Ultralight ACK and NAK	21			
9.4	ATQA and SAK responses	21			
<b>10</b>	<b>MIFARE Ultralight EV1 commands</b> . . . . .	<b>22</b>			
10.1	GET_VERSION	22			

Please be aware that important notices concerning this document and the product(s) described herein, have been included in section 'Legal information'.

© NXP B.V. 2013.

All rights reserved.

For more information, please visit: <http://www.nxp.com>

For sales office addresses, please send an email to: [salesaddresses@nxp.com](mailto:salesaddresses@nxp.com)

Date of release: 19 February 2013  
234530