

**GENERAL DESCRIPTION**

AKD4201-C is an evaluation board for the stereo headphone / lineout amplifier AK4201 that has a built-in charge-pump circuit and eliminates the need for large DC-blocking capacitors. It applies to single-end analog input, headphone / lineout output, and it is available to evaluate the AK4201 easily.

■ **Ordering guide**

AKD4201-C --- AK4201 Evaluation Board

**FUNCTION**

- Stereo mini jack for Line In
- Stereo mini jack for Headphone
- RCA jack for Line Out

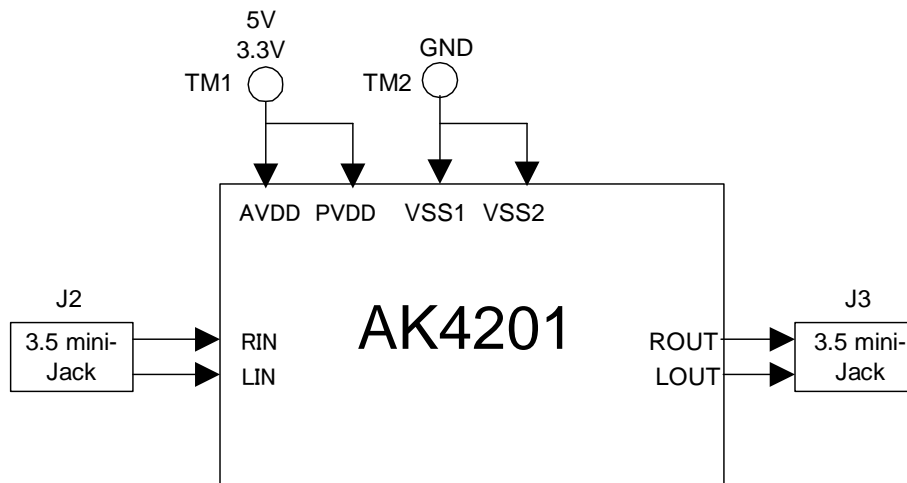


Figure 1. AKD4201-C Block Diagram

\* Circuit diagram and pattern layout are attached at the end of this manual.

## Board Outline Chart

### ■ Outline Chart

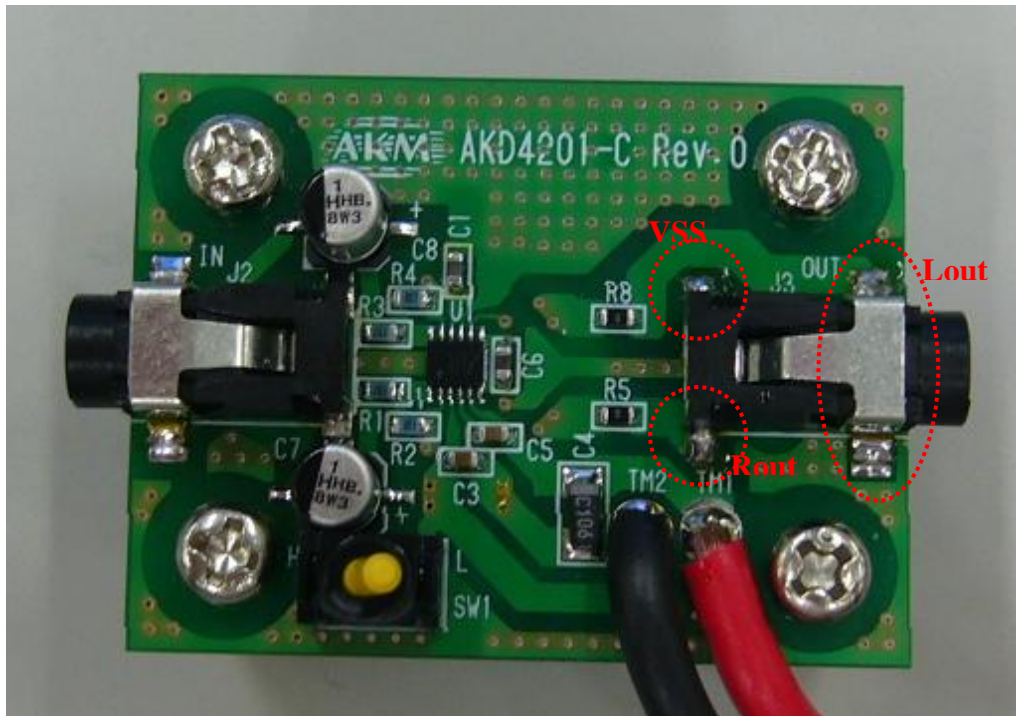
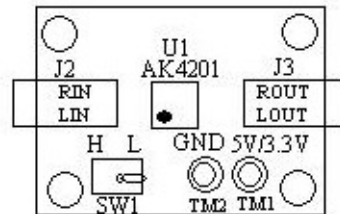


Figure 2. AKD4201-C Outline Chart

### ■ Comment

- (1) J2 (LIN / RIN): Mimi-Jack  
It is a jack of analog input signals LIN / RIN. These signals are input to LIN pin / RIN pin.
- (2) J3 (LOUT / ROUT): Mimi-Jack  
It is a jack of analog output signals LOUT / ROUT. These signals are output from LOUT pin / ROUT pin.
- (3) TM1 (5V / 3.3V): Terminal  
It is a power supply terminal of 5V / 3.3V. It should be connected to power supply 5V/3.3V.  
For further details, refer to P3. "Set up the power supply lines".
- (4) TM2 (GND): Terminal  
It is a ground terminal. It should be connected to GND.  
For further details, refer to P3. "Set up the power supply lines".
- (5) SW1 (PDN): Toggle Switch  
It is a power down switch of AK4201. This should be set to H, after all power supply pins are supplied.

<b>Evaluation Board Manual</b>
--------------------------------

### ■ Operation sequence

1) Set up the power supply lines.

1-1) The power of AVDD and PVDD is supplied from power supply jacks. <Default>

Name Of jack	Color Of jack	Typ. Voltage	Using	Note	Default Setting
5V / 3.3V	Red	+5V / 3.3V	AVDD of AK4201 PVDD of AK4201	+5V/+3.3V are supplied from jack	Connect to +5V / +3.3V
GND	Black	0V	Ground	Should be connected	0V

Table 1. Set up of power supply lines

(The power of AVDD and PVDD is supplied from power supply jacks.)

Note 1. Each supply line should be distributed from the power supply unit.

AVDD and PVDD must be connected to the same power supply.

3) The function of the toggle SW. (See the followings.)

4) Power on.

SW1 (AK4201-PDN) should be kept “L”, until all power supply pins are supplied.

SW1 (AK4201-PDN) should be set to “H”, after all power supply pins are supplied.

### ■ The function of the toggle SW

Upper is “H”, and lower is “L”.

[SW1] (AK4201-PDN): Power down reset of AK4201. Keep “H” during normal operation.

SW1 (AK4201-PDN) should be kept “L”, until all power supply pins are supplied.

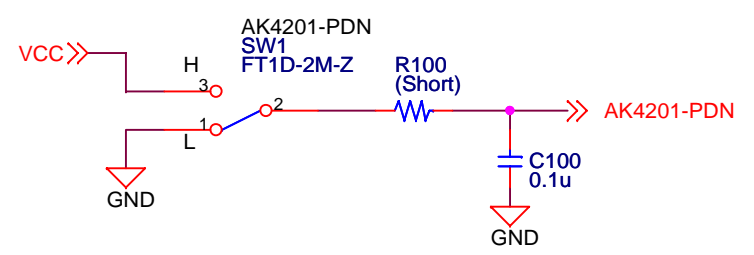
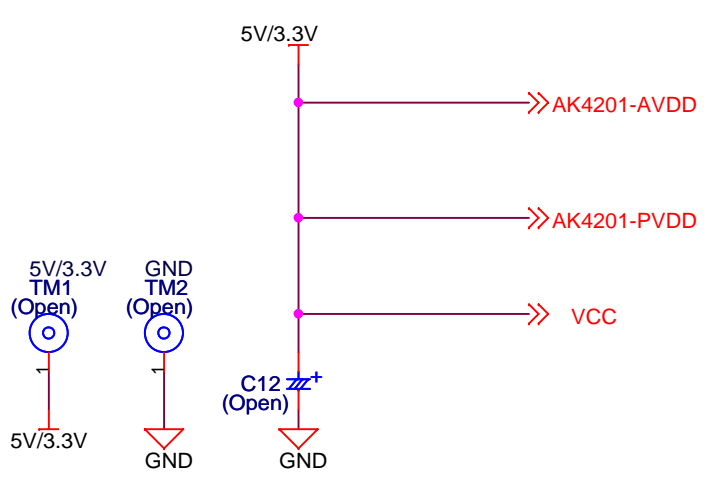
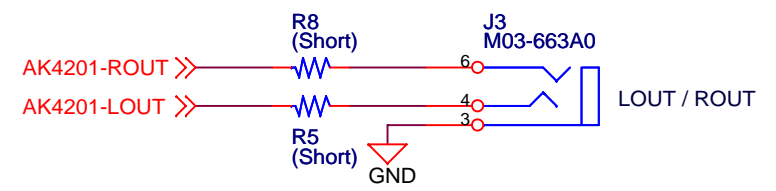
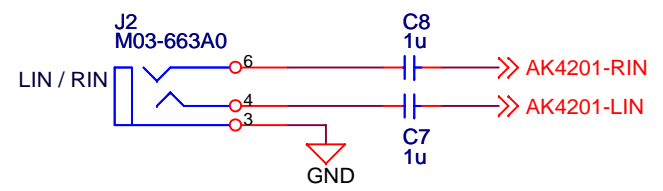
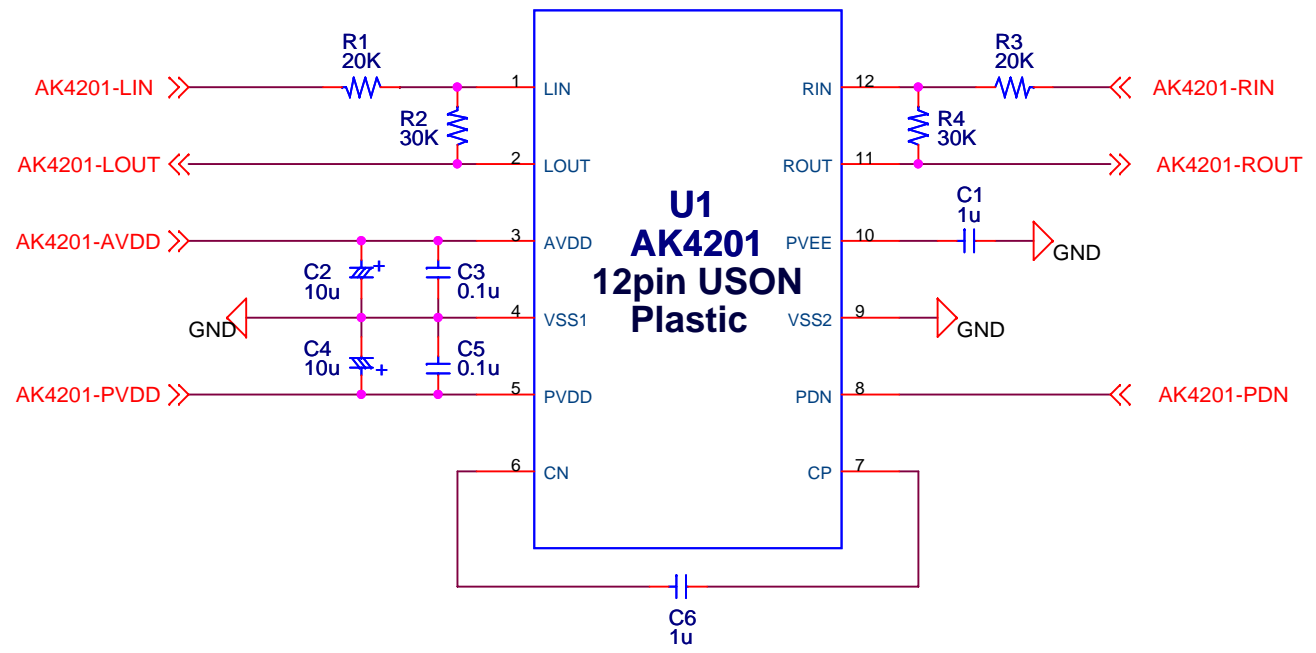
SW1 (AK4201-PDN) should be set to “H”, after all power supply pins are supplied.

**Revision History**

Date (yy/mm/dd)	Manual Revision	Board Revision	Reason	Page	Contents
08/11/12	KM097400	0	First Edition		

IMPORTANT NOTICE

- These products and their specifications are subject to change without notice.  
When you consider any use or application of these products, please make inquiries the sales office of Asahi Kasei EMD Corporation (AKEMD) or authorized distributors as to current status of the products.
- AKEMD assumes no liability for infringement of any patent, intellectual property, or other rights in the application or use of any information contained herein.
- Any export of these products, or devices or systems containing them, may require an export license or other official approval under the law and regulations of the country of export pertaining to customs and tariffs, currency exchange, or strategic materials.
- AKEMD products are neither intended nor authorized for use as critical components<sup>Note1)</sup> in any safety, life support, or other hazard related device or system<sup>Note2)</sup>, and AKEMD assumes no responsibility for such use, except for the use approved with the express written consent by Representative Director of AKEMD. As used here:
  - Note1) A critical component is one whose failure to function or perform may reasonably be expected to result, whether directly or indirectly, in the loss of the safety or effectiveness of the device or system containing it, and which must therefore meet very high standards of performance and reliability.
  - Note2) A hazard related device or system is one designed or intended for life support or maintenance of safety or for applications in medicine, aerospace, nuclear energy, or other fields, in which its failure to function or perform may reasonably be expected to result in loss of life or in significant injury or damage to person or property.
- It is the responsibility of the buyer or distributor of AKEMD products, who distributes, disposes of, or otherwise places the product with a third party, to notify such third party in advance of the above content and conditions, and the buyer or distributor agrees to assume any and all responsibility and liability for and hold AKEMD harmless from any and all claims arising from the use of said product in the absence of such notification.



Title			
<b>AKD4201-C</b>			
Size	Document Number		Rev
<b>A4</b>	<b>AK4201</b>		<b>0</b>
Date:	Tuesday, October 14, 2008	Sheet	1 of 1

**AKM AKD4201-C Rev.0**

