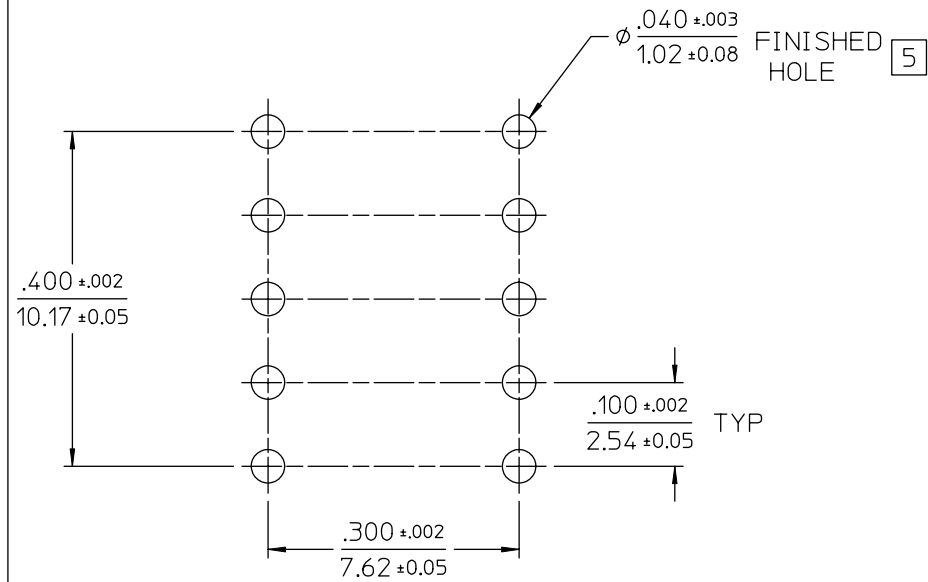


REV	DESCRIPTION	BY DATE	APPD
F	ECR 8656	PSM 09/20/05	V.B.H.

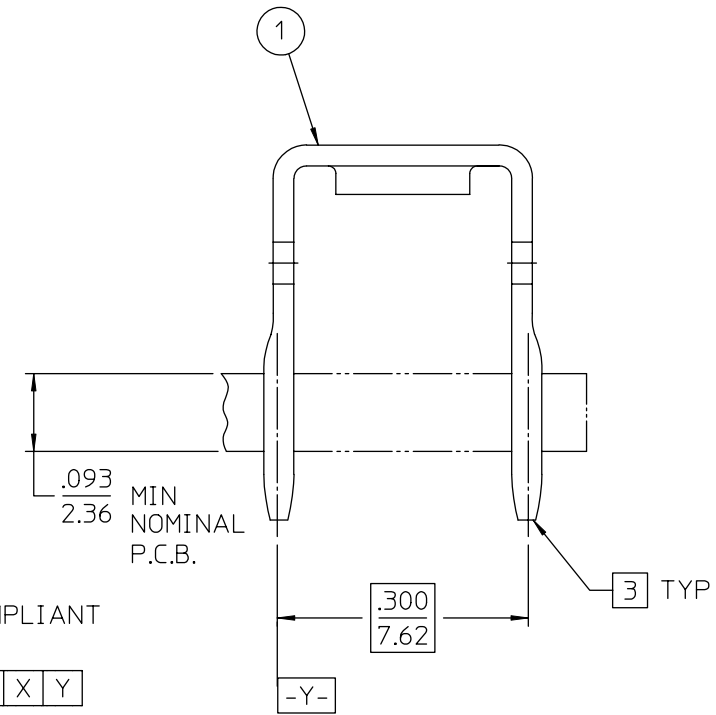
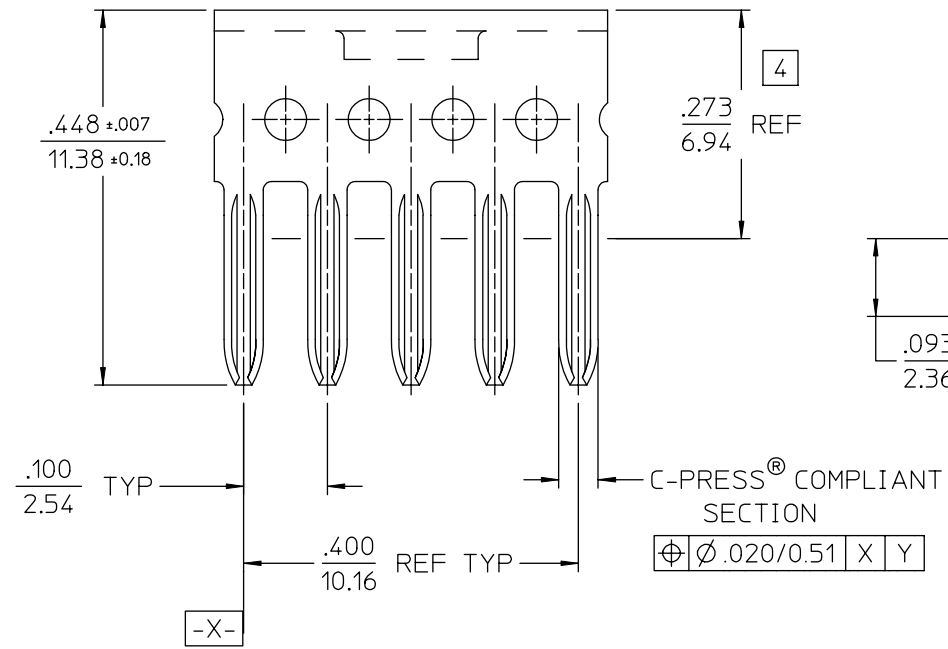
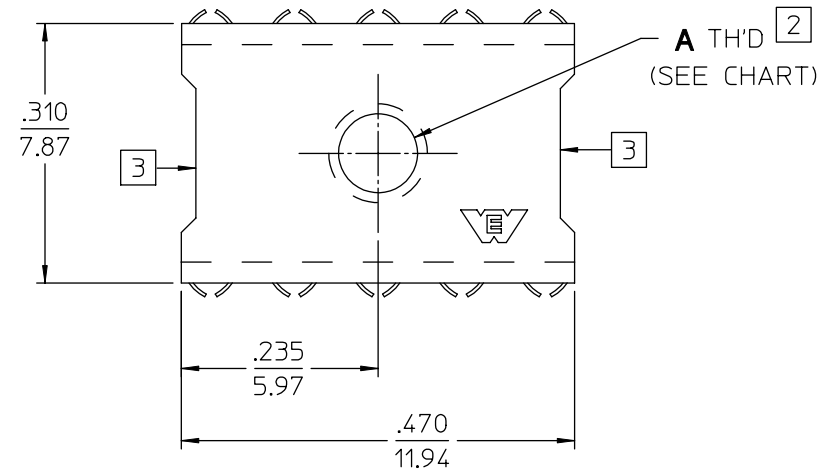
1 Terminal Power — Copper-Nickel-Pure Tin, CA72500  
Finish: See Chart for Plating

**NOTES:**

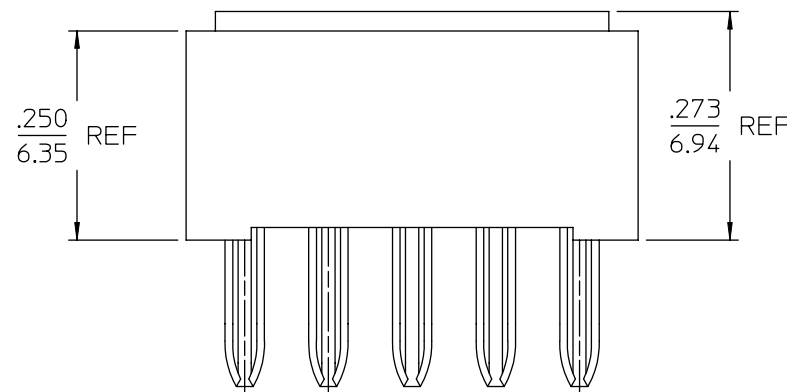
- 1. DIMENSIONS IN MILLIMETERS ARE FOR REF. ONLY.
- 2. THREAD TO WITHSTAND 8 IN.-LBS. MIN. TORQUE WITHOUT DAMAGE.
- 3. NO PLATING ON EDGES SHOWN.
- 4. SEATING HEIGHT TO P.C. BOARD SURFACE.
- 5. PLATED THROUGH HOLE REQUIREMENTS PER DRAWING No. 27331.



P.C. BOARD  
HOLE PATTERN  
SCALE 6:1



**CAT. No. 121-14202 SHOWN**



**CAT. No. 121-27394-\* SHOWN**

121-14202-01-260	M4	NO	PURE TIN (RoHS)
121-14202-00-260	M3	NO	
121-27394-01-260	M4	YES	
121-27394-00-260	M3	YES	TIN LEAD
121-27394-1	M4	YES	
121-27394	M3	YES	
121-14202-1	M4	NO	
121-14202	M3	NO	
CATALOG No.	A TH'D.	INSULATOR	PLATING 3

121 SERIES

PER ANSI Y14.5M-1982  
UNLESS OTHERWISE SPECIFIED:  
DIMENSIONS ARE IN INCHES OR INCHES/MM  
TOLERANCES:  
DECIMALS: .XX ± .02/0.5  
.XXX ± .005/0.13  
ANGLES: ± SCALE: 6:1

**Litton**

Winchester Retconn  
400 PARK ROAD  
WATERTOWN, CONNECTICUT  
06795

**CUSTOMER  
DRAWING**



TITLE  
POWER TERMINAL, 10-PIN,  
METRIC THREAD, .100 X .300 GRID  
WITH & WITHOUT INSULATOR

DRAWN	DATE	APPROVED	DATE
J.M.G.	01/17/91	R.S.	01/23/91
L. BARONE	02/25/91	FRAN DANCE	02/26/91

REV.	DESCRIPTION	DATE	APPD
C	14202	SHT. 1 OF 1	F